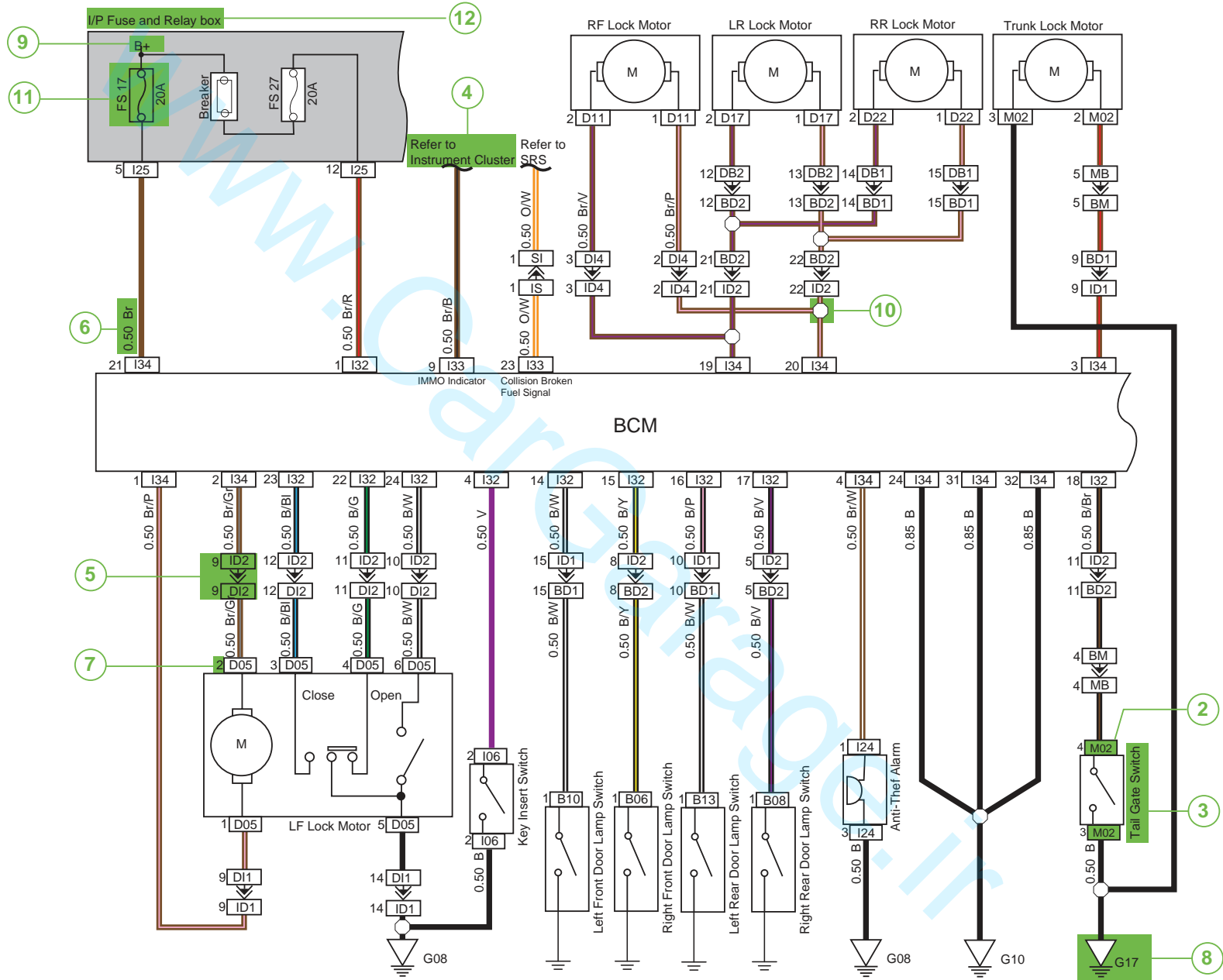


<b>1. Content.</b>		
<b>2. Introduction</b> .....	1	
<b>3. Symbol</b> .....	3	
<b>4. Circuit Diagnosis</b> .....	4	
Circuit Diagnosis Procedure.....	4	
Circuit Diagnosis Device.....	4	
Repair Tools.....	5	
Terminal Repair.....	6	
Poor Ground Connection Repair.....	7	
<b>5. Wiring Diagram</b> .....	9	
Charging System / Starting System.....	9	
PEPS System -1.....	10	
PEPS System -2.....	11	
RKE System.....	12	
Ignition System / Fuel System(1.8VVT).....	13	
Ignition System / Fuel System(2.4VVT).....	14	
Ignition System / Fuel System(2.0T).....	15	
Electronic Control System(1.8VVT).....	16	
Electronic Control System(2.4VVT).....	17	
Electronic Control System(2.0T).....	18	
Cooling System / A/C Compressor System(1.8VVT).....	20	
Cooling System / A/C Compressor System(2.4VVT).....	21	
Cooling System / A/C Compressor System(2.0T).....	22	
TCU System.....	23	
Air Conditioning System / Rear Defroster.....	24	
Power RearRearview mirror.....	25	
Instrument Cluster System.....	26	
CD System.....	27	
Multi-Function Discreen / Cigarette Lamper / Horn.....	28	
Door Controller System.....	29	
Dome Lamp / Sunroof / Trunk System.....	30	
EPS System.....	31	
FBCM System.....	32	
RBCM System.....	33	
Headlamps / Daytime Running Lamp.....	34	
Width Lamps / Interior Lamping.....	35	
Supplemental Restraint System.....	36	
ABS / ESP System.....	37	
Power Seat / Seat Heating System.....	38	
CAN System.....	39	
Diagnose Interface System.....	40	
<b>6.Fuse and relay</b> .....	41	
Engine Compartment Fuse and Relay Box.....	41	
Battery Power Breaker Box.....	42	
IP Fuse and Relay Box.....	43	
Engine Compartment Fuse and Relay Box Power Distribution.....	45	
IP Fuse and Relay Box Power Distribution-1 .....	46	
IP Fuse and Relay Box Power Distribution-2 .....	47	
<b>7.Ground Distribution</b> .....	48	
Ground Distribution G01a-G01b-G01c-G02a-G02c-G03.....	48	
Ground Distribution G05a-G11-G12-G13-G14.....	49	
Ground Distribution G15-G21-G22-G23.....	50	
Ground Distribution G25-G26-G27-G28.....	51	
Ground Distribution G29-G31-G33-G34-G35-G37-G39.....	52	
Ground Distribution G38.....	54	
<b>8.Harness Connector Location View</b> .....	54	
Engine Harness Connector Location View-1.8VVT.....	54	
Engine Harness Connector Location View-2.4VVT.....	55	
Engine Harness Connector Location View-2.0T.....	56	
Engine Compartment Harness Connector Location View.....	57	
IP Harness Connector Location View.....	58	
Left body Harness Connector Location View.....	59	
Right body Harness Connector Location View.....	60	
Rear body Harness Connector Location View.....	61	
Door Harness Connector Location View.....	62	
Sunroof Harness Connector Location View.....	63	
Air Bag (8 Return Circuit) Harness Connector Location View.....	64	
Air Bag (2 Return Circuit) Harness Connector Location View.....	65	
AC Harness Connector Location View.....	66	
Rear Bumper Harness Connector Location View.....	67	
<b>9.Ground Point Location View</b> .....	68	
Ground Point Location View-G01a-G02a-G05a.....	68	
Ground Point Location View-G01b.....	69	
Ground Point Location View-G01c-G02c.....	70	
Ground Point Location View-G11-G12-G13-G14-G15.....	71	
Ground Point Location View-G21-G22-G23-G25-G27-G28.....	72	
Ground Point Location View-G26.....	73	
Ground Point Location View-G29-G33.....	74	
Ground Point Location View-G31.....	75	
Ground Point Location View-G34-G37-G38.....	76	
Ground Point Location View-G35.....	77	
Ground Point Location View-G39.....	78	
<b>10.Harness Connector View</b> .....	79	

<b>Engine Harness Connector(E--)</b> .....	79	U25-U26.....	117
1.8VVT Engine Harness Connector.....	79	U27-U28.....	118
E02a.....	79	UI1-UI2.....	119
E03a.....	80	UF1-UE1.....	120
E04a-E05a-E06a-E07a.....	81	<b>Instrument Harness Connector(I--)</b> .....	121
E08a-E09a-E10a-E11a.....	82	I02-I03-I04-I05.....	121
E12a-E13a-E14a-E15a.....	83	I06-I07.....	122
E16a-E17a-E18a-E19a.....	84	I08-I09.....	123
E20a-E21a-E22a-E23a.....	85	I10-I11-I12.....	124
E24a-E25a-E26-E27a.....	86	I13-I14.....	125
EI1a-EU1a.....	87	I15-I16.....	126
2.4VVT Engine Harness Connector.....	87	I17-I18.....	127
E01b.....	88	I19-I20.....	128
E02b-E03b-E04b.....	89	I21-I22-I23.....	129
E05b-E06b-E07b-E08b.....	90	I24-I25.....	130
E09b-E10b-E11b.....	91	I26-I27-I28-I29.....	131
E12b-E14b-E15b-E16b.....	92	I30-I31-I32-I33.....	132
E17b-E18b-E19b-E20b.....	93	I34-I35.....	133
E21b-E22b-E23b-E24b.....	94	I36-I37-I38.....	134
E25b-EI1b.....	95	I39-I40.....	135
EU1b.....	96	I41-I42-I43.....	136
2.0T Engine Harness Connector.....	97	I44-I45-I46.....	137
E01c.....	97	I47-I48.....	138
E02c.....	98	I49-I50.....	139
E03c-E04c-E05c.....	99	I51-I52-I53-I54.....	140
E06c-E07c-E08c-E09c.....	100	I55-I56-I57.....	141
E10c-E11c-E12c-E14c.....	101	I58-I60.....	142
E15c-E16c-E17c-E19c.....	102	ID1-ID2.....	143
E20c-E22c-E23c-E24c.....	103	IF1-IF2.....	144
E25c-E26c-E27c-EQ1c.....	104	IC1-IR1.....	145
EQ2c-Q01c-Q02c.....	105	IS1-IA1.....	146
Q03c-Q04c-Q05c-Q06c.....	106	IU1-IU2.....	147
Q07c-Q08c-Q09c-Q10c.....	107	IE1.....	148
Q11c-QE1c-QE2c.....	108	<b>Left Body Harness Connector(F--)</b> .....	149
EI1c-EI2c.....	109	F01-F02-F03-F04.....	149
<b>Engine Compartment Harness Connector(U--)</b> .....	110	F05-F06-F07-F08.....	150
U01-U02-U03-U04.....	110	F09-F10-F11-F12.....	151
U05-U06-U07.....	111	F13-FD1-FU1.....	152
U08-U09-U10-U11.....	112	F11-FI2.....	153
U12-U13.....	113	FH1.....	154
U14-U16-U17-U18.....	114	<b>Right Body Harness Connector (C--)</b> .....	155
U19-U20-U21-U22.....	115	C01-C02-C03-C04.....	155
U23-U24.....	116	C05-C06-CD1.....	156

CI1.....	157
<b>Rear Body Harness Connector (H--)</b> .....	158
H01-H02-H03.....	158
H04-H05.....	159
H06-H07-H08-H09.....	160
H10-H11-H12-H13.....	161
HF1-HM1.....	162
<b>Door Harness Connector(D--)</b> .....	163
D01-D02-D04.....	163
D05-D06.....	164
D07-D08-D09.....	165
D10-D12-D13.....	166
D14-D15-D16.....	167
D17-D19-D20.....	168
D21-D22.....	169
D24-D25-D26.....	170
D27-DI1.....	171
DI2-DF1.....	172
DC1.....	173
<b>Roof Harness Connector(R--)</b> .....	174
R01-R02-R03.....	174
R04-R05-R06.....	175
RI1.....	176
<b>SRS Harness Connector(S--)</b> .....	177
S01-S02-S03.....	177
S04-S05-S06.....	178
S07-S08-S09-S10.....	179
S11-S12-SI1.....	180
<b>Rear Bumper Harness Connector(M--)</b> .....	181
M01-M02-M03-M04.....	181
M05-M06-MH1.....	182
<b>Air Conditioning Harness Connector(A--)</b> .....	183
A01-A02-A03.....	183
A04-A05-A06.....	184
A07-A08.....	185
A09-AI1.....	186
<b>Abbreviations</b> .....	187

### Central Lock and Theft Deterrent System



1.System name.

2.Harness connector naming.

In this manual, the harness connector naming is based on harness. For example, I/P connector is named as I23. I is the harness code, 23 is the connector number.

The table below lists all harness:

Code	Harness
U	Engine compartment harness
U--	Engine compartment harness connector
E	Engine harness
E--	Engine harness connector
I	Instrument panel harness
I--	Instrument panel harness connector
F	Left Body harness
F--	Left Body harness connector
C	Right Body harness
C--	Right Body harness connector
H	Rear Body harness
H--	Rear Body harness connector
D	Door harness
D--	Door harness connector
M	Rear bumper harness
M--	Rear bumper harness connector
A	A/C harness
A--	A/C harness connector
S	Airbag harness
S--	Airbag harness connector
R	Roof harness
R--	Roof harness connector

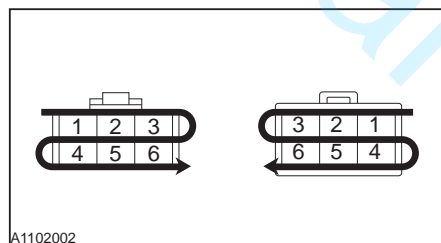
**⚠ Note:**

- 1.Door harness includes four door harness.
- 2.For harness connector details, please refer to connector location views.
- 3.Component name.
- 4.System information.
- 5.Harness to harness connector.The character in the box is the connector code.
- 6.Wire color and diameter. The following table shows the color code.

Color Code	Wire Color	Legend
B	Black	
Br	Brown	
Bl	Blue	
G	Green	
Gr	Grey	
O	Orange	
P	Pink	
R	Red	
V	Purple	
W	White	
Y	Yellow	

If a wire has two colors, the first character shows the Width color and the second shows the stripe color, divided by "/". For example, YE/WH means yellow Width color with white stripe.

7.Pin number. The connector pin numbers are mirrored to the ones that connect to them, as shown below:

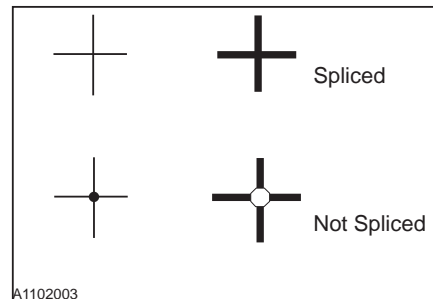


8.Ground number. The ground number starts with G. For ground details, please refer to ground location views.

9.Fuse supply. +B represents battery power supply. ACC represents power supply when ignition switch is at "ACC" position. IG2 represents power supply from terminal 4 when ignition switch is at "ON" position. IG1 represents power supply from terminal 2 when ignition switch is at "ON" position.

**⚠ Note:** The difference between IG1 and IG2 is that there is power supply output from IG1, but not from IG2 when the ignition switch is at "ST" position.

10.Splice



11.Fuse number consists of fuse code and a sequential number.

12.Grey shade means fuse and relay box.

	Ground		Relay-Normally OFFd		Battery		Ground		Relay-Normally OFFd		UTP Unshielded Twisted Pair
	Temperature Sensor		Relay-Normally ON		Capacitor		Temperature Sensor		Relay-Normally ON		Stator
	Solenoid		Double Throw Relay		Cigarette Lamper		Solenoid		Horn		Fan Assembly
	Solenoid		Resistor		Antenna		Solenoid		Clock Spring		Oxygen Sensor
	Lamp Load Fuse		Potentiometer		Switch-Normally ON		Lamp Load Fuse		Airbag		Low Speed Fan Relay B
	Moderate Load Fuse		Rheostat		Switch-Normally OFFd		Not Sliced		Sliced		
	Heavy Load Fuse		Ignition Coil		Double Throw Switch	A1104002					
	Heater		Knock Sensor		Ignition Switch						

## Circuit Diagnostic Procedure

Refer to the following procedure for the circuit diagnosis:

### 1. Confirm the Fault

To do the proper repair, confirm the fault described by the customer firstly. Inspect the relevant component carefully and make record. DO NOT disassemble the component before confirmation of the fault scope and causes.

### 2. Read the Wiring Diagram and Analyze the Causes.

Make a complete analysis on the faulty components from power supply to ground according to the sub-system wiring diagram and determine the repair solution. If can not determine the repair solution, please read the system description in the "Description and Operation" in the workshop manual to clear the working principle. And inspect other circuits that has common part with the faulty circuits that has common part with the faulty circuit, for example, the fuse, ground, switch, etc. Inspect the circuit not covered in step 1. If other components on the common circuit work properly, it means the fault exists in its own circuit. Otherwise, the fuse or ground might has faults.

### 3. Inspect the Circuits and Components.

Always use the wiring diagram together with workshop manual and refer to the diagnostic procedure for the relevant circuits or components in the workshop manual. For the circuit with a control module, fully use diagnostic tools to do the test. Effective diagnosis should be a logical and reasonable operation. Fully use the diagnostic procedures in the workshop manual and start the inspection from the most likely causes and the components be easiest to inspect.

### 4. Repair

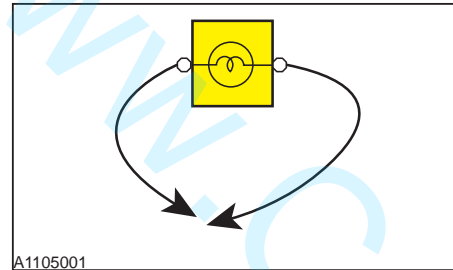
Repair the faulty circuit. Refer to the wiring diagram and workshop manual for fault treatment. For example, the treatment on bad connection to ground and the harness connector.

### 5. Confirm the Fault Removed.

After repair, confirm the fault removed and all functions work properly. For the fuse blown fault, check all the relevant circuits.

## Circuit Diagnostic Device

### 1. Voltmeter and Test Lamp



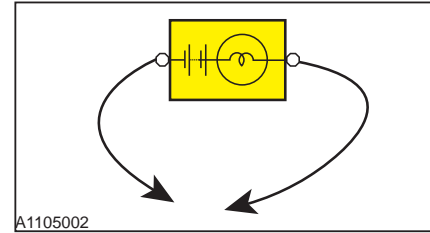
Use test lamp or voltmeter to check the circuit status.

Test lamp comprises a pair of wires and a 12V bulb. When inspecting, connect one wire to the ground and the other one to the measurement point. If the bulb is lit, it means the measurement point has power supply.

**Warning: DO NOT use test lamp to test the control module voltage. To do so, it could damage the circuit inside the control module. Please use a voltmeter with 10M  $\Omega$  or higher internal impedance (e.g. to test the ECM voltage).**

Voltmeter has the same connection method as the test lamp, but voltmeter can display the voltage value of the circuit. Use a voltmeter with high impedance to test the voltage. If the circuit has poor connection, the voltmeter may show the normal value, but the voltage can not drive the load successfully.

### 2. Test Lamp with Self-supply and Ohmmeter

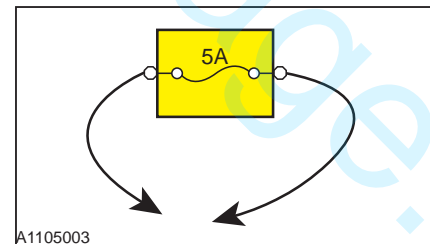


Use test lamp with own 12V power supply or ohmmeter to test the circuit continuity. Test lamp comprises a bulb, battery and a pair of wires. The bulb will be lit when the two wires contacted. Before test, disconnect the battery negative and pull out the fuse of the circuit to be tested. To test the circuit continuity, contact two wires to the two measurement points. If the bulb is lit, it means the circuit is continuous.

**Warning: DO NOT use test lamp with self-supply to test the control module. To do so, it could damage the circuit inside the control module. Please use a ohmmeter with 10M  $\Omega$  or higher internal impedance.**

Ohmmeter has the same usage method as voltmeter, but ohmmeter can show the impedance value. The lower impedance, the better continuity.

### 3. Jumper with Fuse

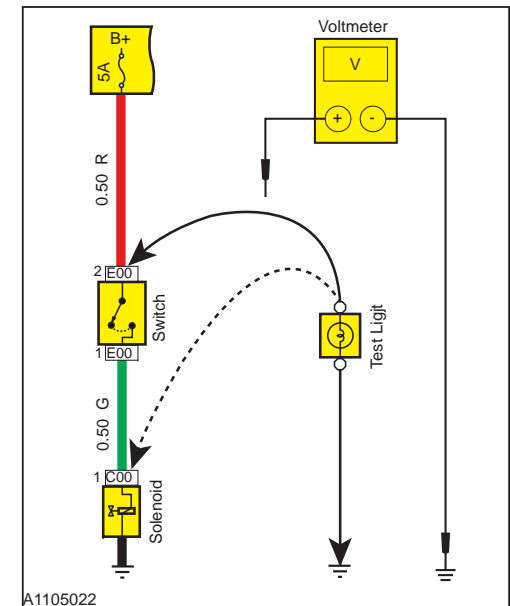


Use jumper to test a broken point for ON loop circuit (circuit broken). The jumper should be in tandem with the circuit to be tested.

**Warning: To protect the circuit, DO NOT use the fuse with higher rated capacity than the circuit to be tested. DO NOT use the jumper as the input or output signal when a control module like ECM, TCM is in the circuit. To do so, it could damage the circuit inside the control module.**

## Fault Test

### 1. Voltage Test



Voltage test process is to test the voltage at a certain point. When testing the connector terminals, insert the positive probe into the wire instead of breaking the harness.

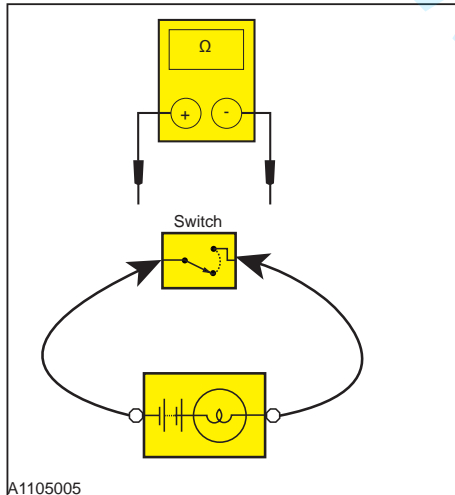
1. When testing the voltage with test lamp or voltmeter, connect the negative wire of the test lamp or the negative probe of the voltmeter to the ground.

2. Connect the other wire of the test lamp or the positive probe of the voltmeter to the place to be tested.



3. It means circuit fault if lamp is not lit. If using voltmeter and voltage display is lower than the rated value with more than 1V, it means the circuit fault.

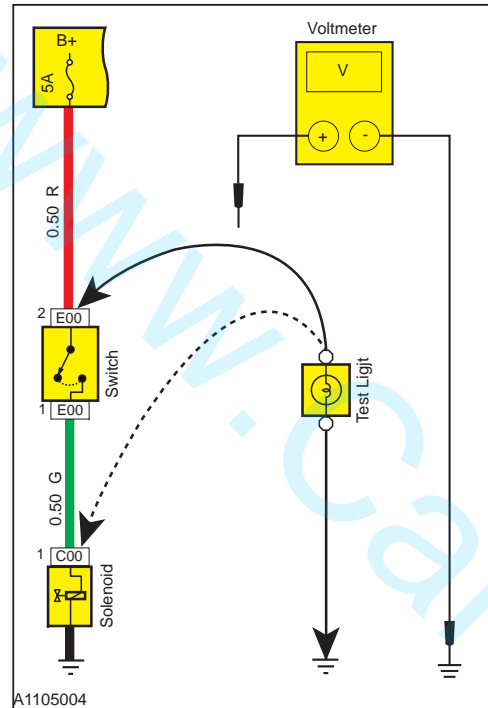
### 2. Power Test



A1105005

1. Disconnect the battery negative.
2. Connect one of the wire of the test lamp with self-supply or the probe of the ohmmeter to the component to be tested. If using ohmmeter, please contact the two probes each other and use reset button to adjust the ohmmeter to zero.
3. Connect the other wire of the test lamp or probe of the ohmmeter to the other side of the load to be tested.
4. If the bulb is lit, it means the circuit is continuous. If using ohmmeter, the impedance value should be very small or OFF to 0  $\Omega$ .

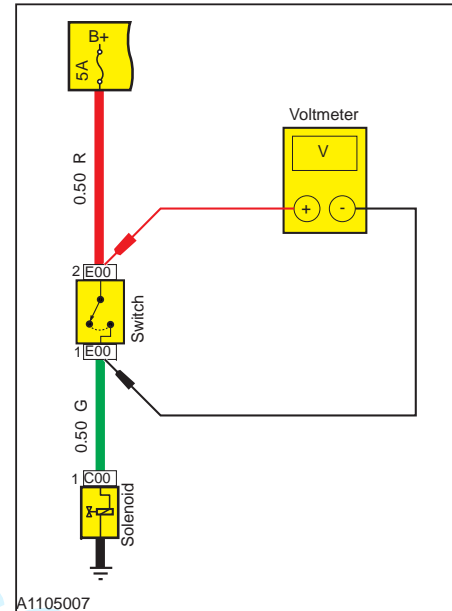
### 3. Short Circuit Test



A1105004

1. Disconnect battery negative.
2. Connect one of the wire of the test lamp with self-supply or the probe of the ohmmeter to the outlet terminal of the fuse.
3. Connect the other wire of the test lamp or probe of the ohmmeter to the ground.
4. Disconnect all the loads to the fuse.
- ⚠ **Note:** If not disconnect all the loads to the fuse, when testing the low impedance circuit like lamps, the ohmmeter will always display the low impedance value. This will cause wrong judgement.
5. Do the careful test from the place OFFst to the fuse.
6. If the bulb is lit or ohmmeter has value display less than 5  $\Omega$ , it means the short circuit to the ground.

### 4. Voltage Drop Test

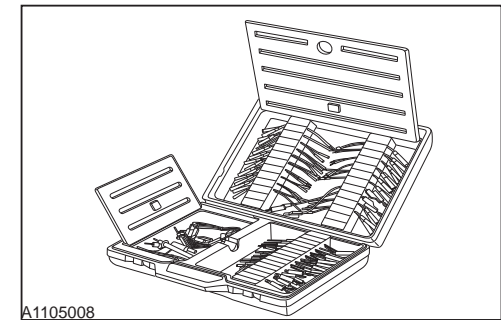


A1105007

This is to test the voltage drop along the wire, connector or switch.

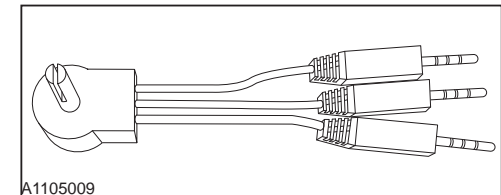
1. Connect the positive probe of the voltmeter to the end of the circuit OFF to the battery (connector or switch side).
2. Connect the negative probe to the other end of the circuit (the other side of the connector or switch).
3. Disconnect switch or connect it.
4. The voltmeter will display the voltage drop between the two test points.
5. If the drop is more than 0.1 V (less than 50 mV for 5 V voltage circuit), it means the circuit fault. Check loose, oxidation or corrosion circuit.

### Repair Tools



A1105008

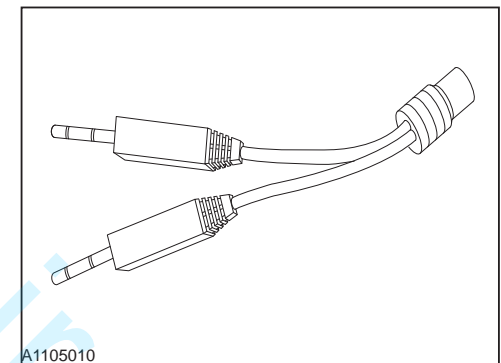
#### 1. 5K $\Omega$ Rheostat



A1105009

It can simulate ohm-type sensor signals, like coolant temperature sensor, air intake temperature sensor, etc. And help to make quick adjustment on the performance of the component.

#### 2. LED Test Lamp

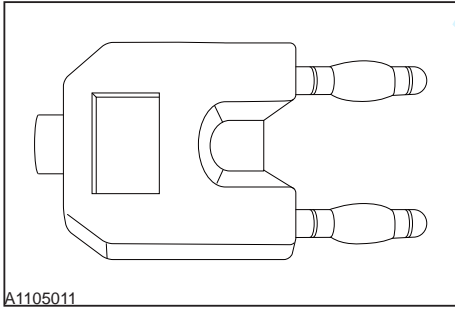


A1105010



Bi-direction two-color LED lamp can change its color when exchanging the positive and negative. This feature can be used to test the PWM control signals of Hall sensor.

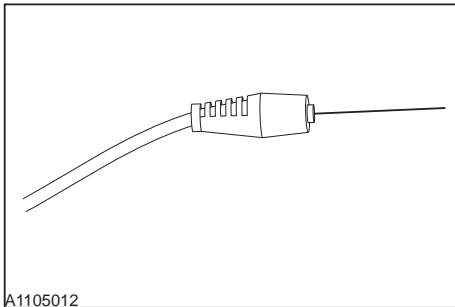
### 3. Airbag Test Tool



A1105011

Before installing a new airbag, plug this tool to the airbag system, and use diagnostic tools to test the airbag system to confirm it works properly. After that, remove the airbag test tool and install the new airbag. This process can guarantee a safe airbag operation.

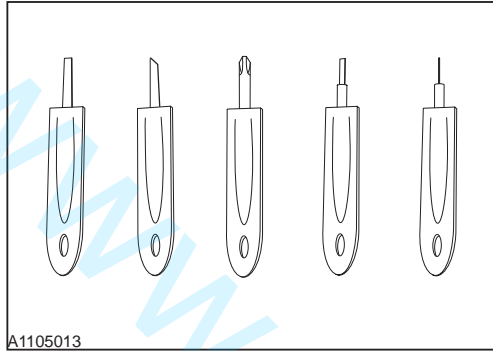
### 4. Probe



A1105012

When testing a system component, insert this tool into the connector from the back and do not need to break the harness.

### 5. Terminal Repair Tool

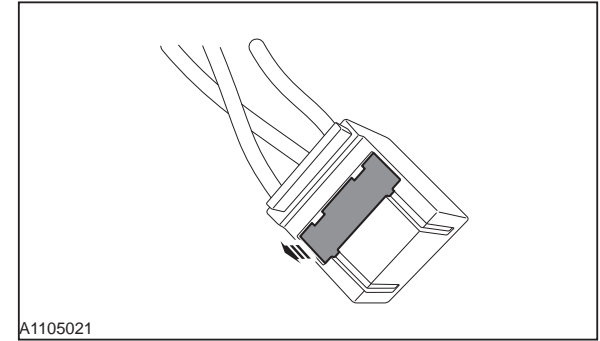


A1105013

When repairing the terminals, use this tool to separate them from the connector.

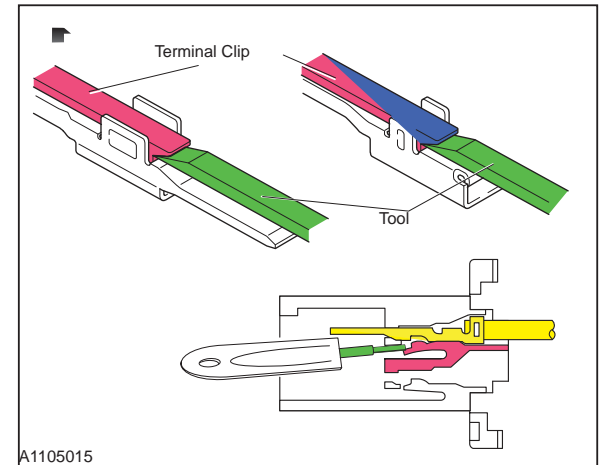
### Terminal Repair

1. Remove the terminal pin.



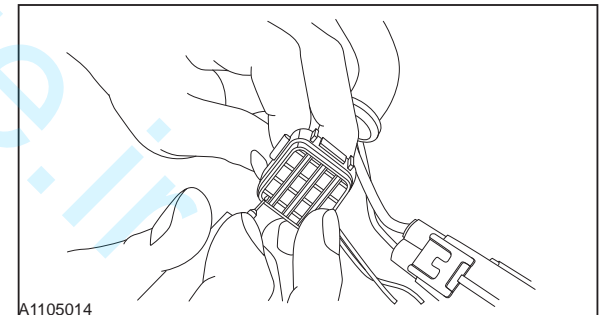
A1105021

2. Fix the clip with terminal repair tool.



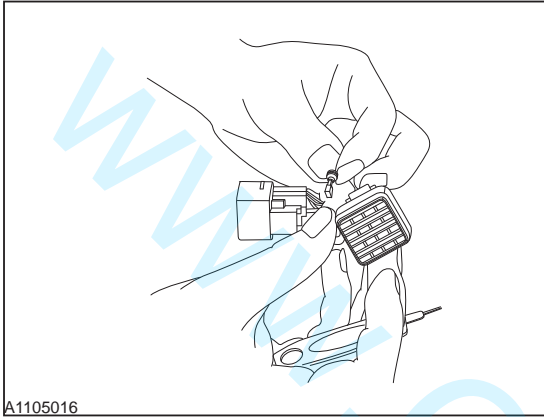
A1105015

3. Pull out the terminal from the rear of connector.



A1105014

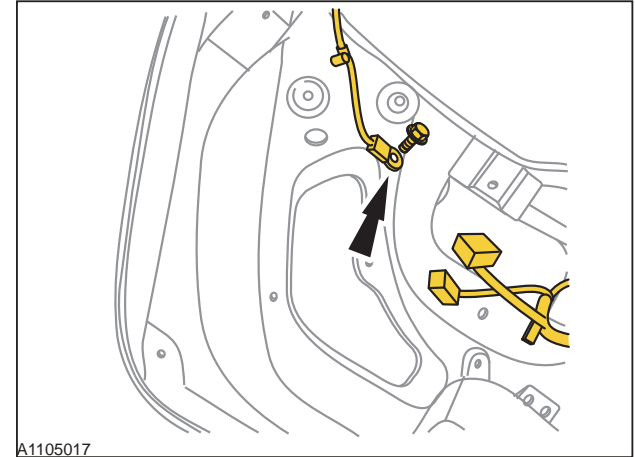
4. Clean and repair the terminals.



A1105016

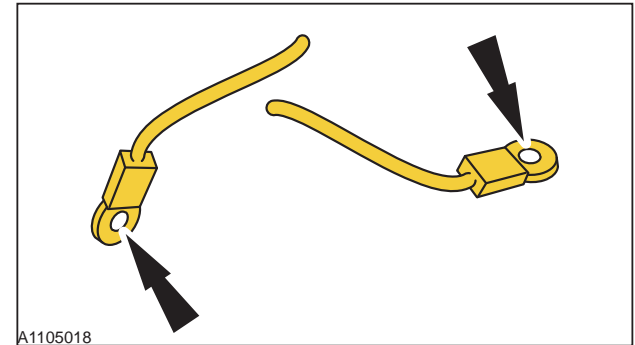
## Poor Ground Connection Repair

1. Remove the ground bolt.



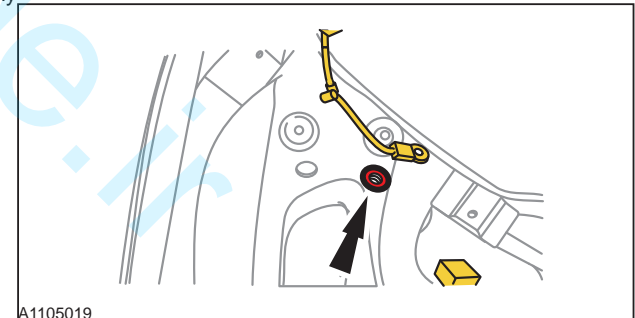
A1105017

2. Clean the two surfaces (both bolt side and car contact side) of the copper ring with grit cloth until the oxide completely cleared.



A1105018

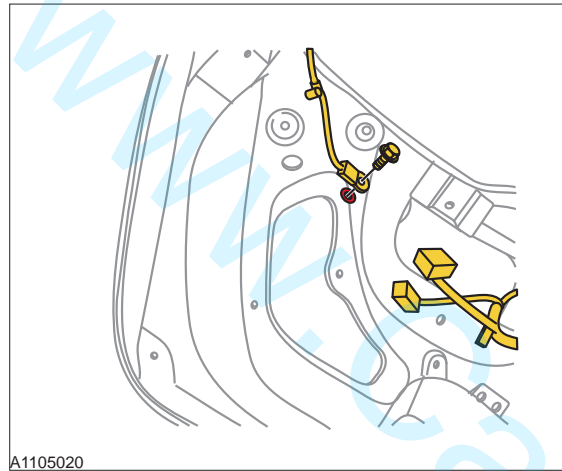
3. Clean the ground surface on the car with grit cloth until it completely clean.



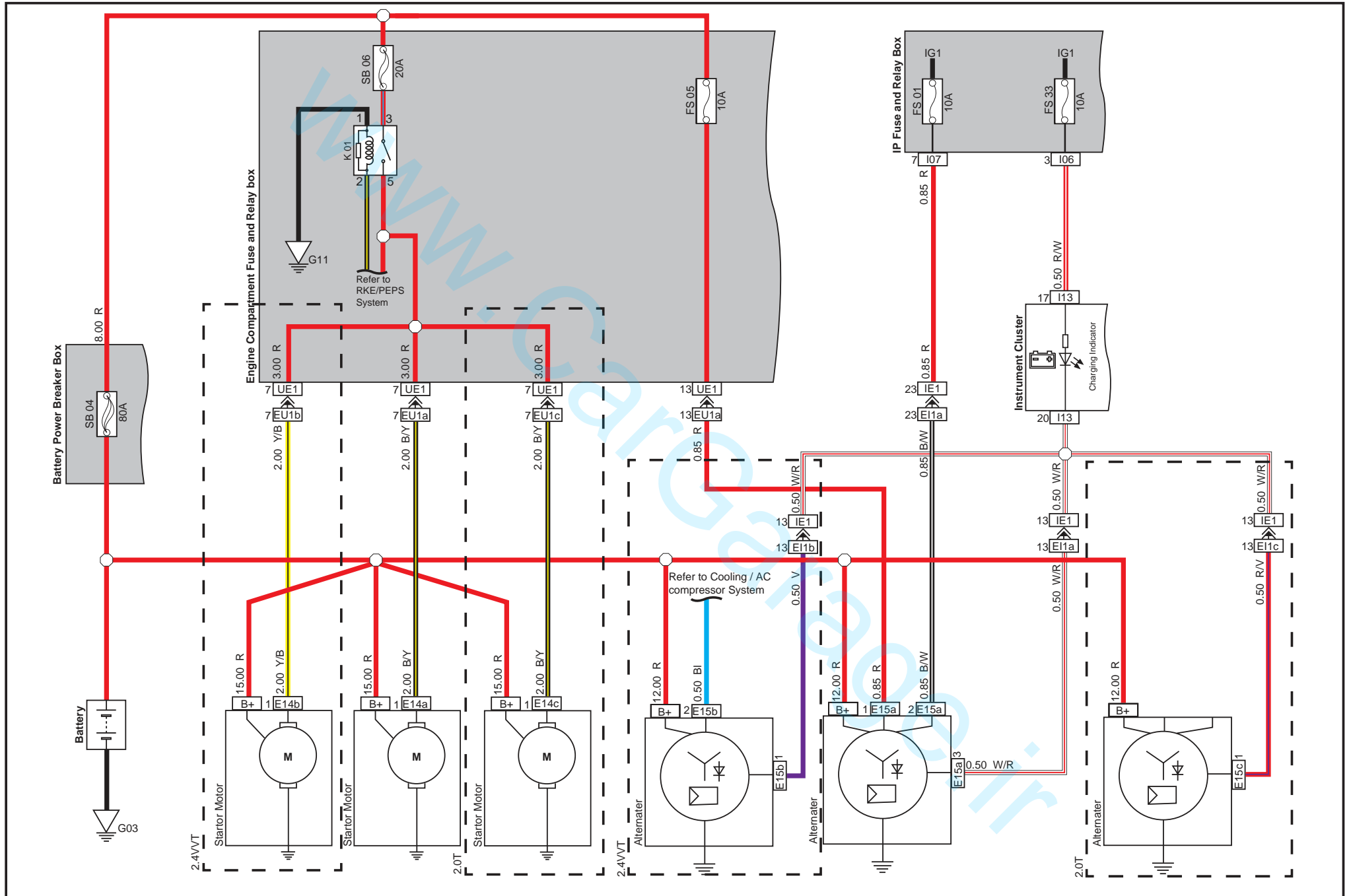
A1105019

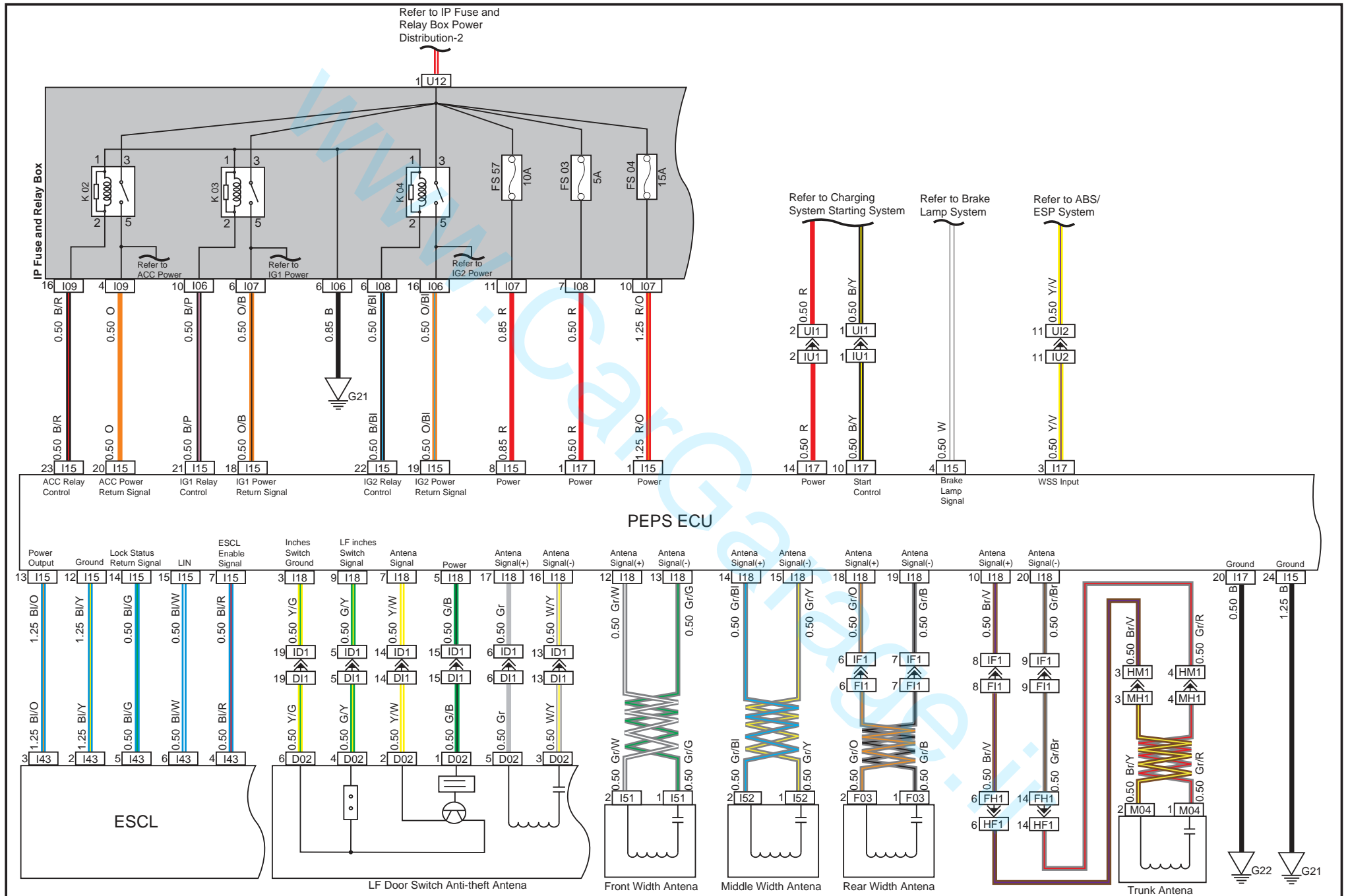
4. Install the harness and the bolt. Tighten to specified torque.

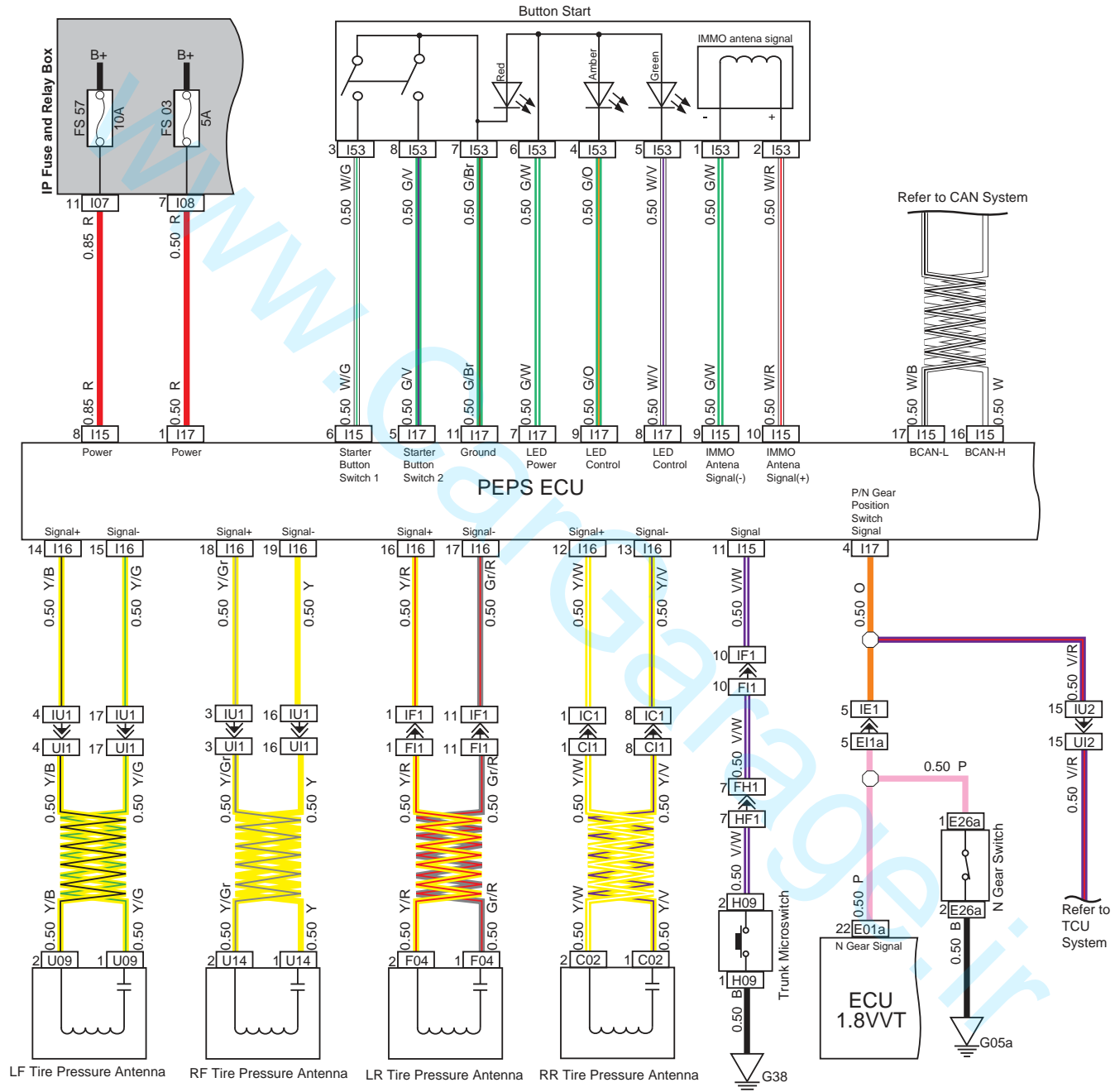
Torque: M6 Bolts 8 Nm

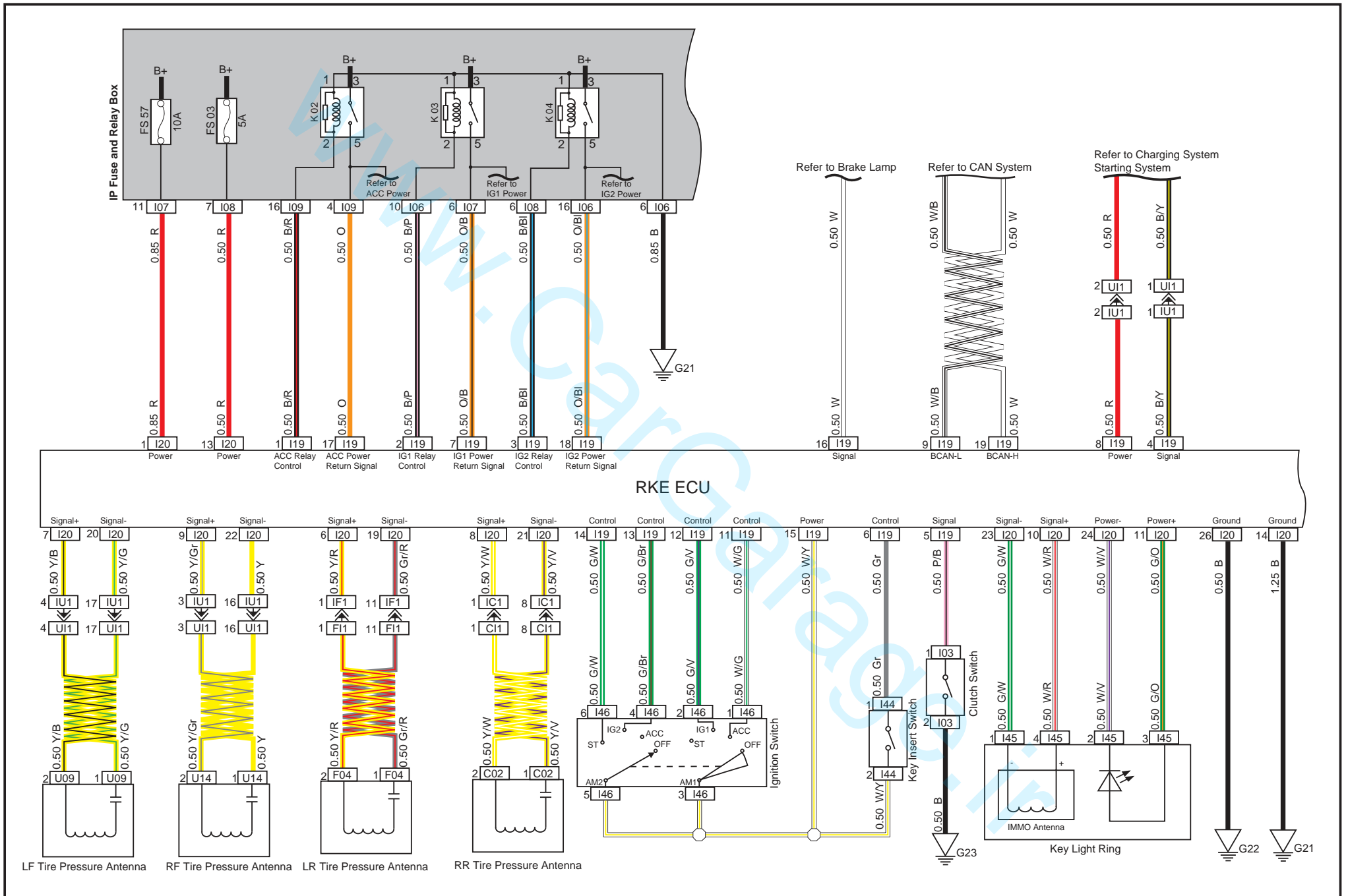


# Charging System / Starting System



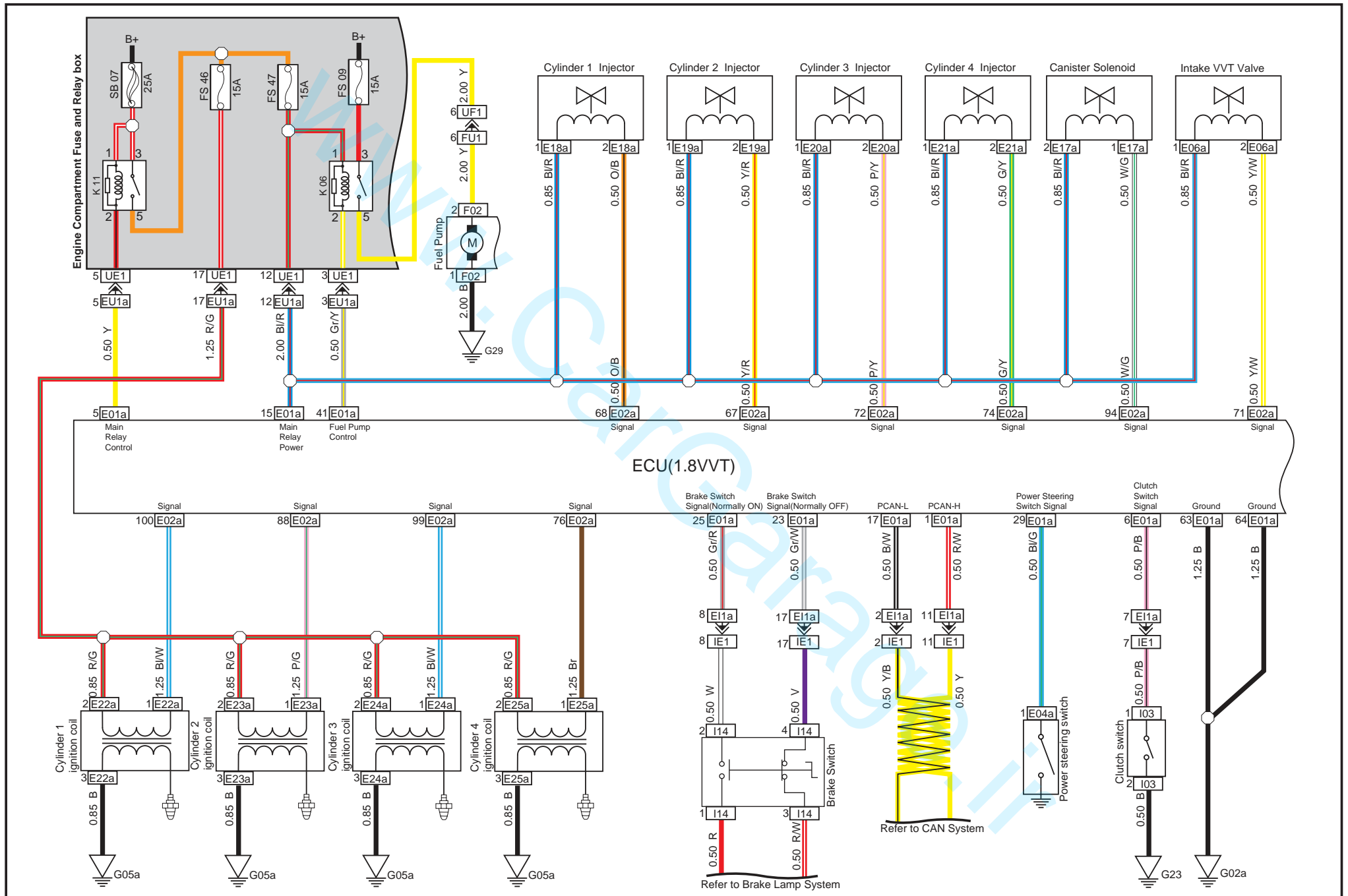




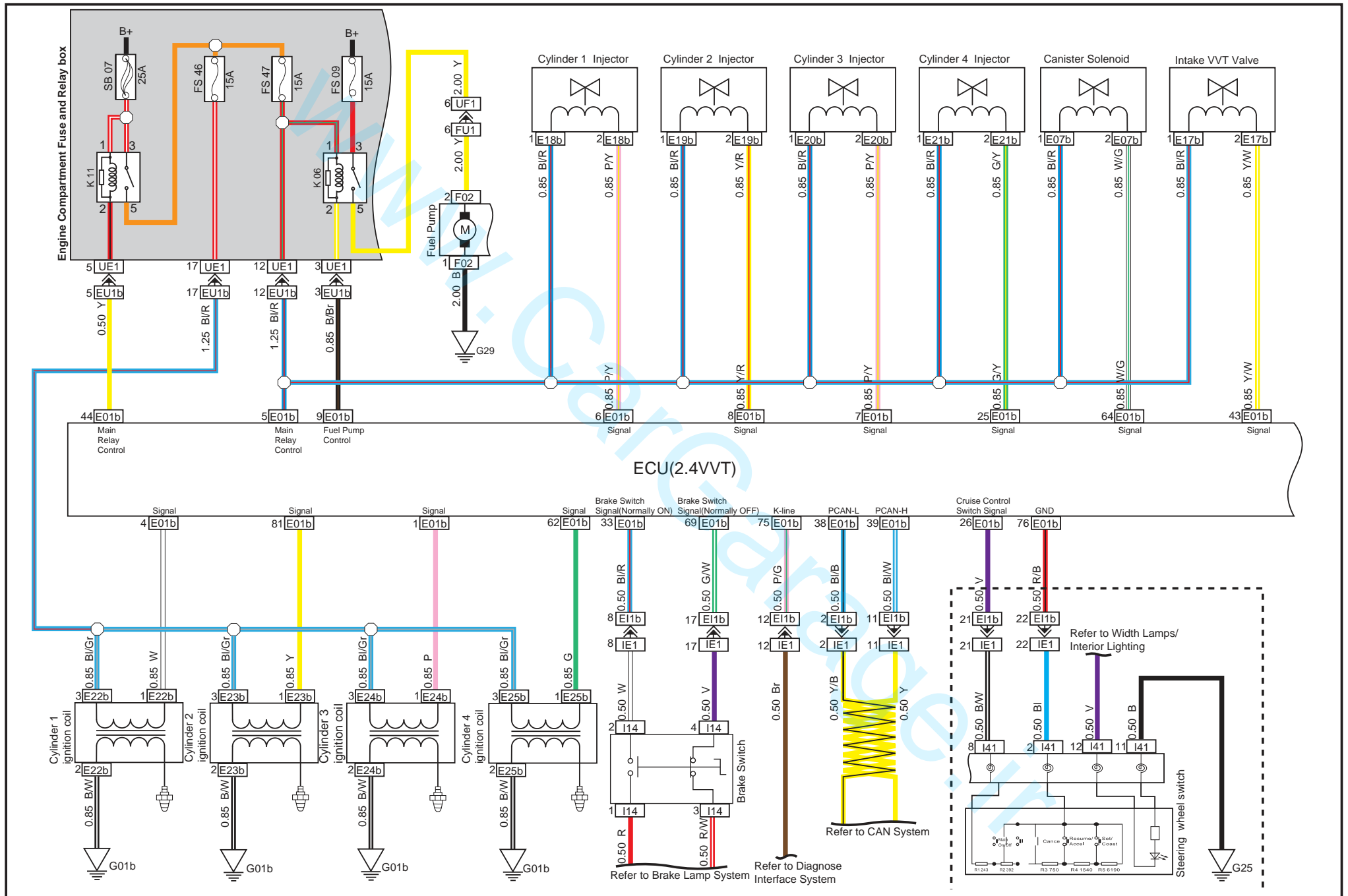




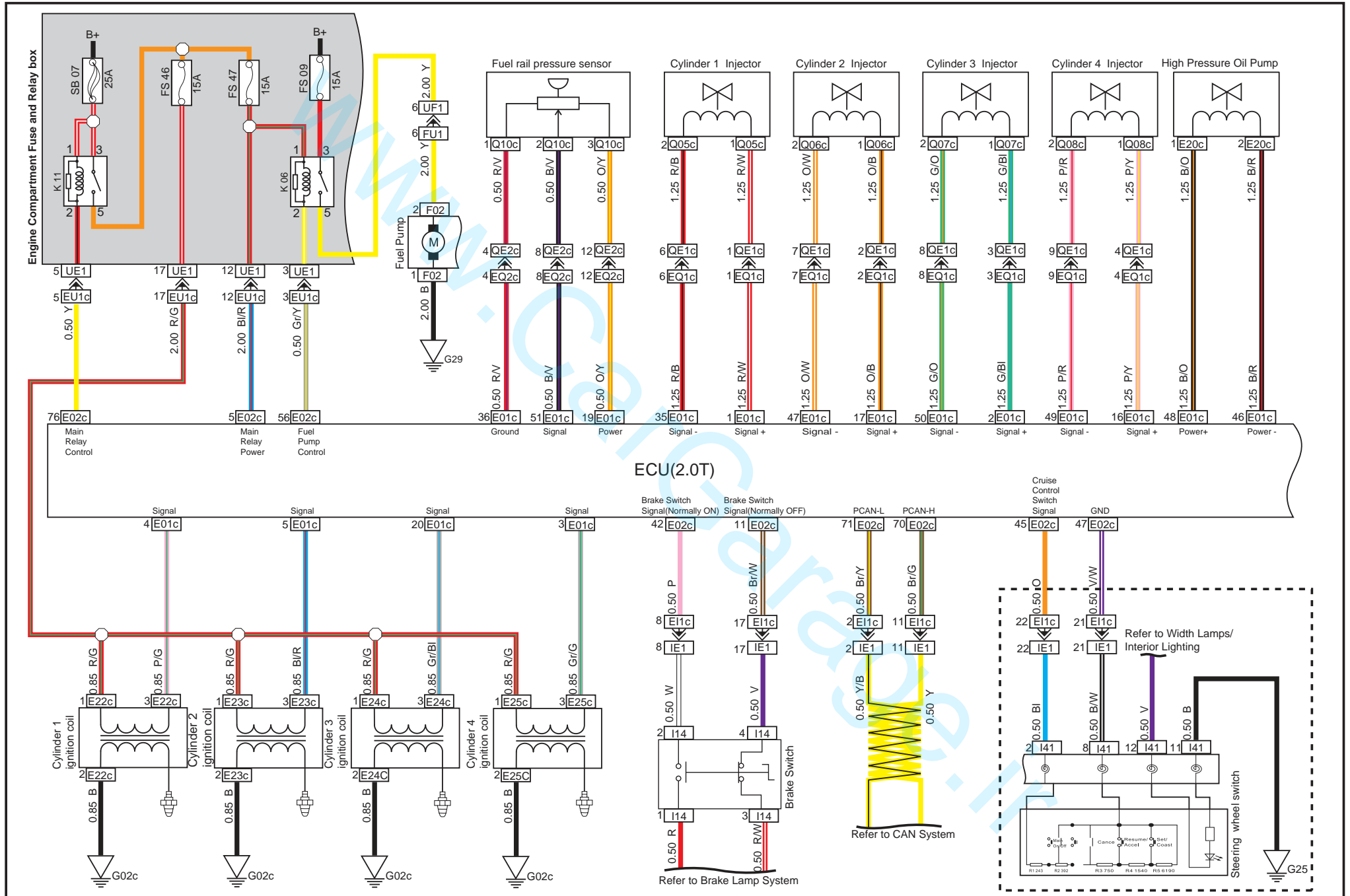
# Ignition System Fuel System(1.8VVT)



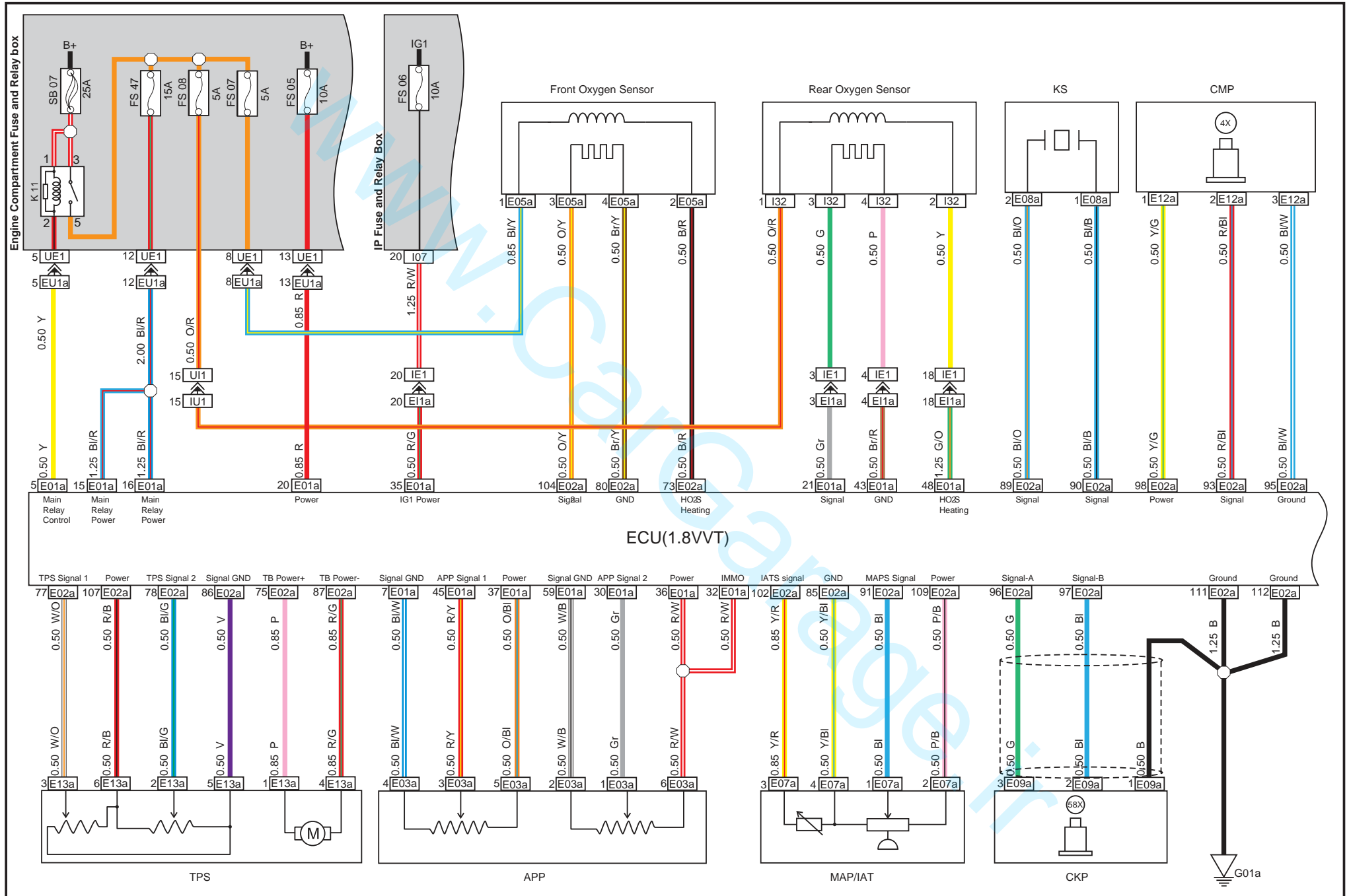
# Ignition System Fuel System(2.4VVT)



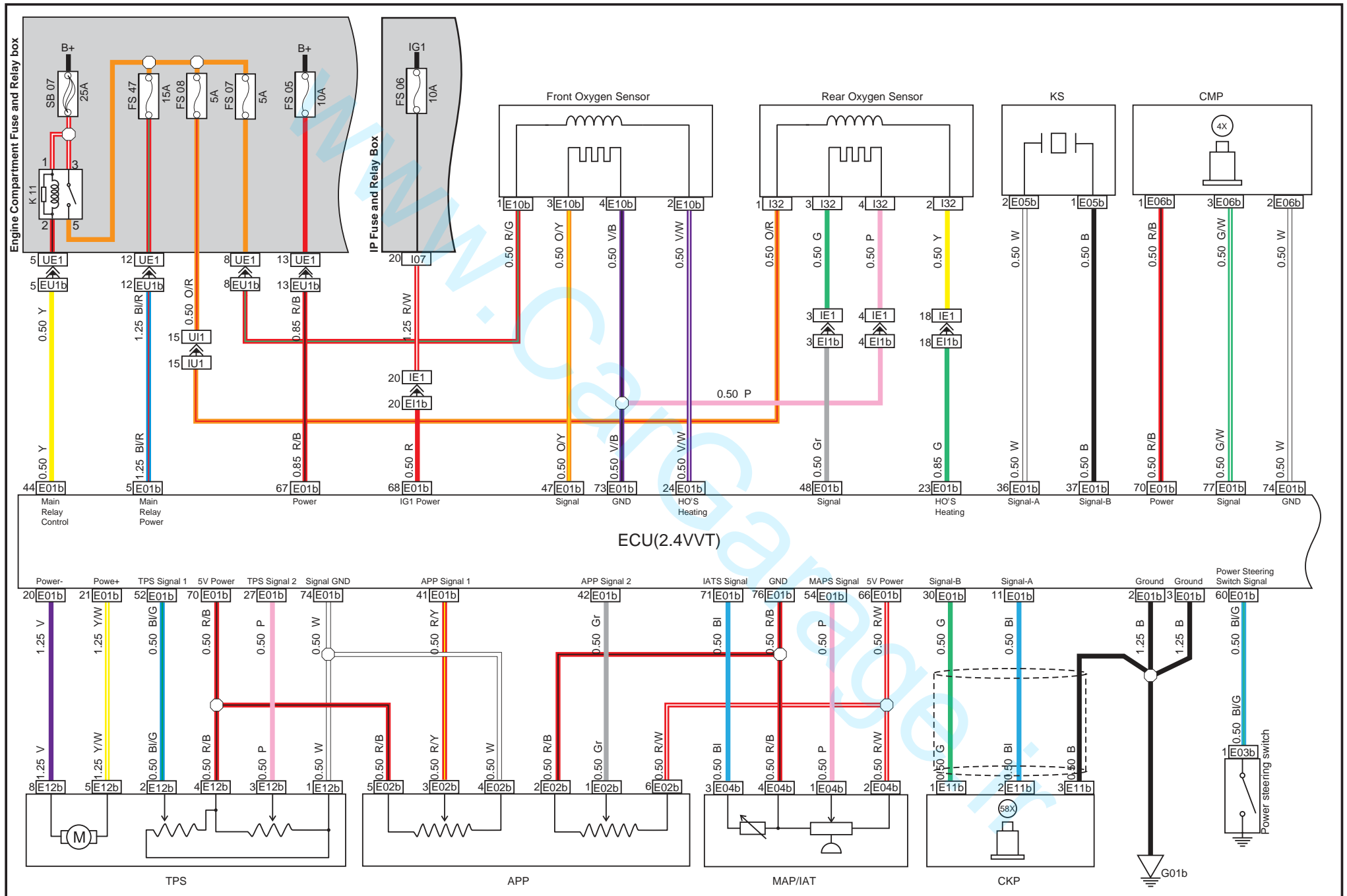
# Ignition System Fuel System(2.0T)



# Electronic Control System(1.8VVT)

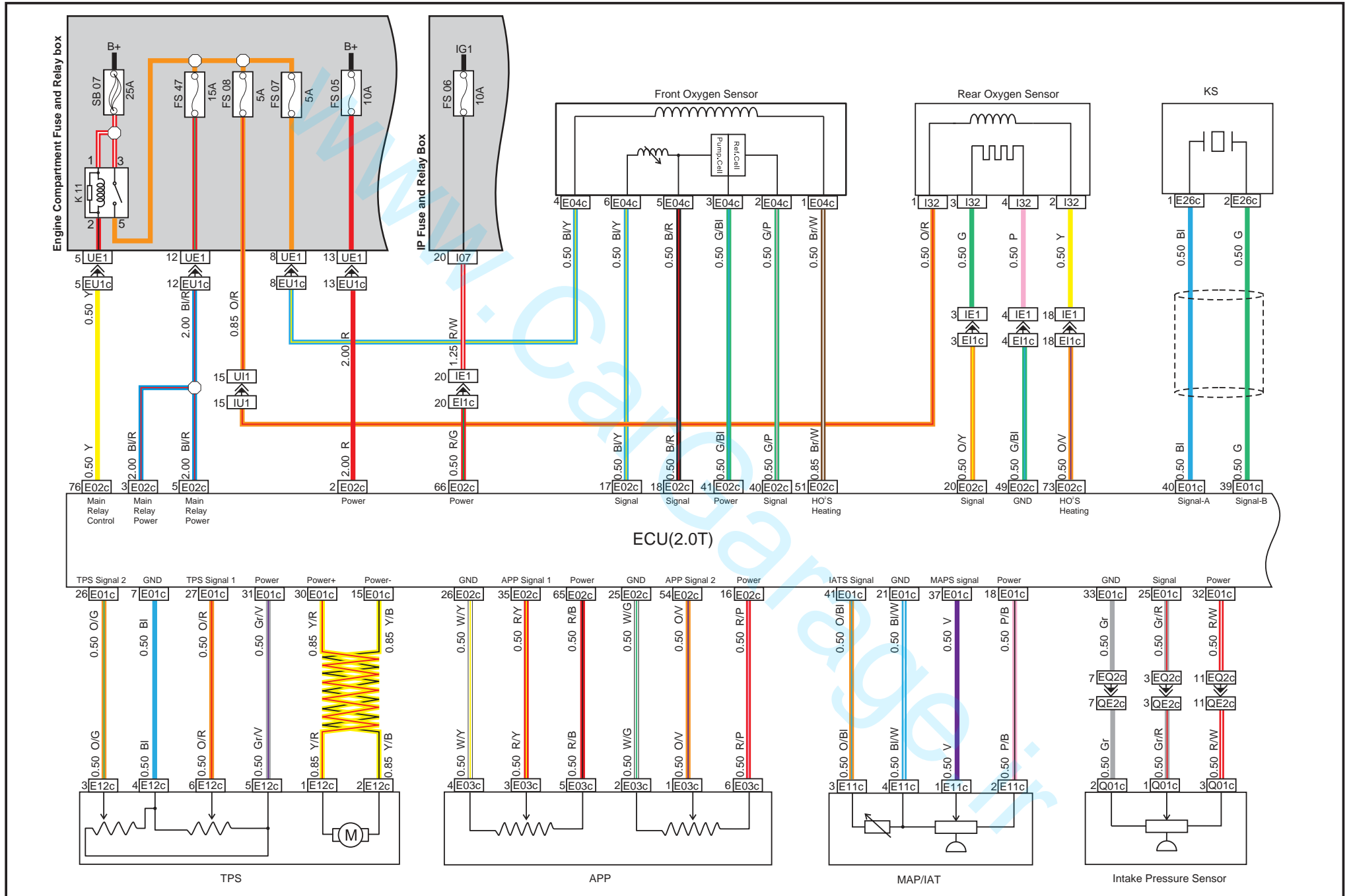


# Electronic Control System(2.4VVT)



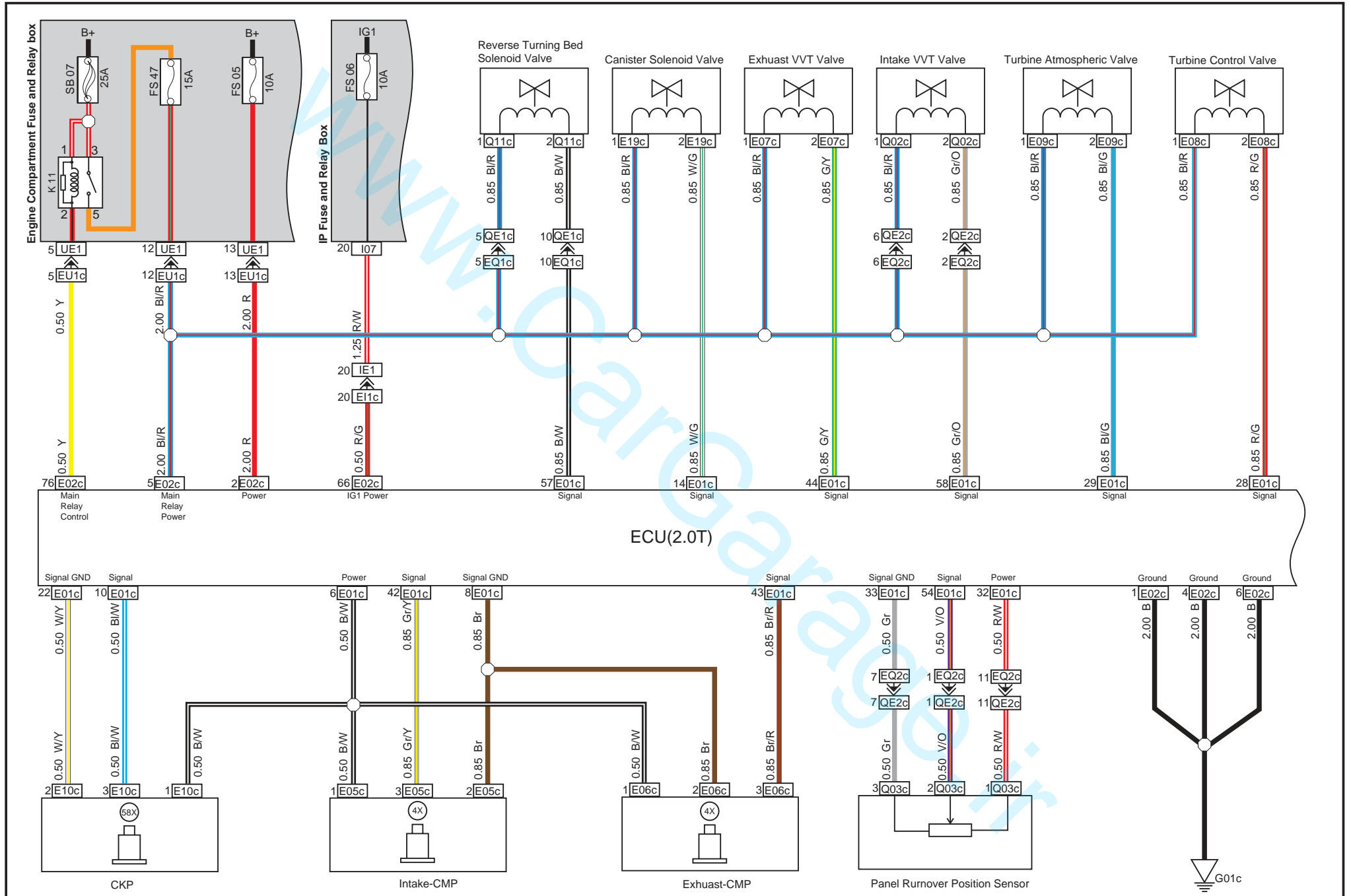
# Electronic Control System(2.0T)

www.Cadcam.org



# Electronic Control System(2.0T)

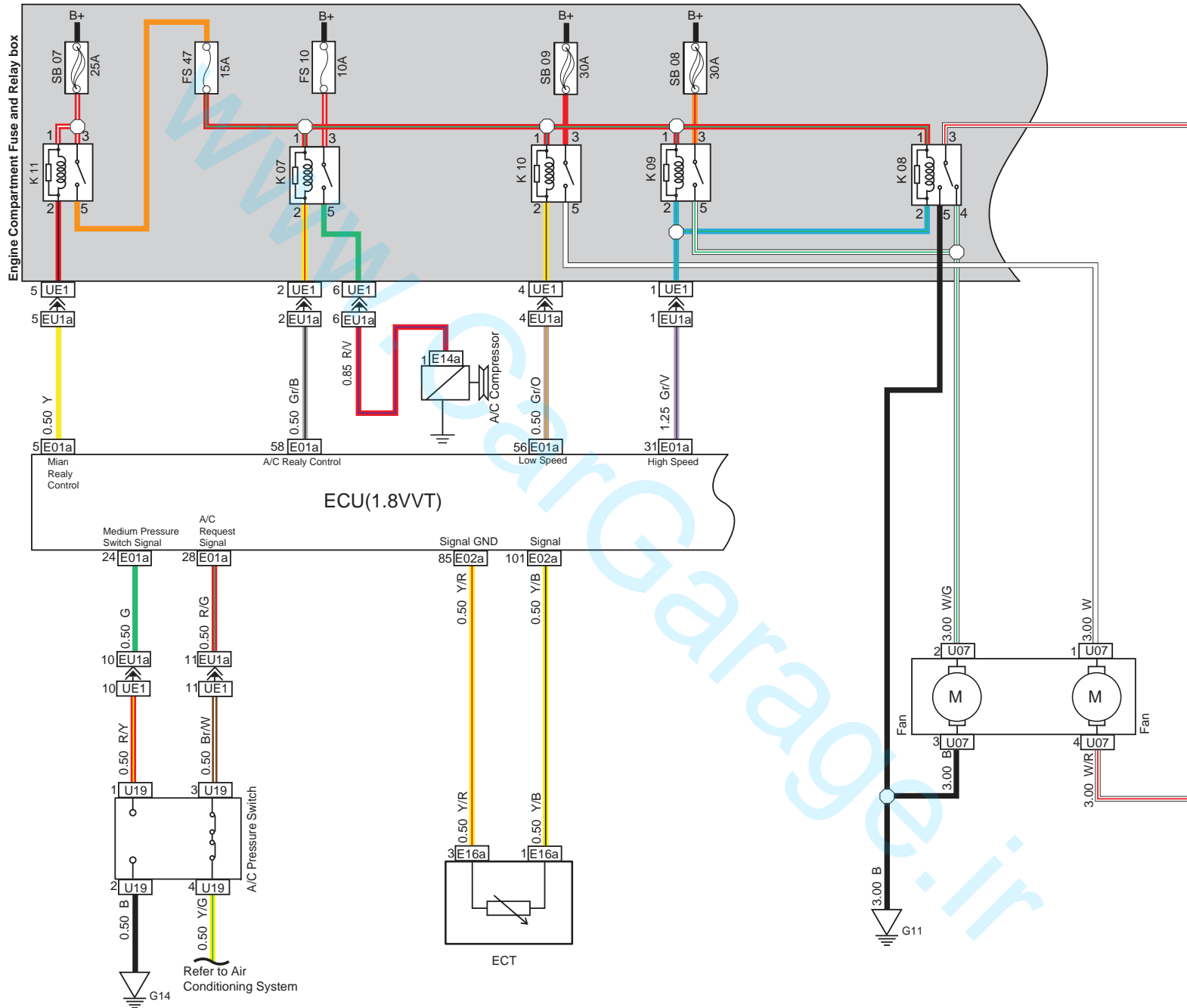
www.Calsonic.com





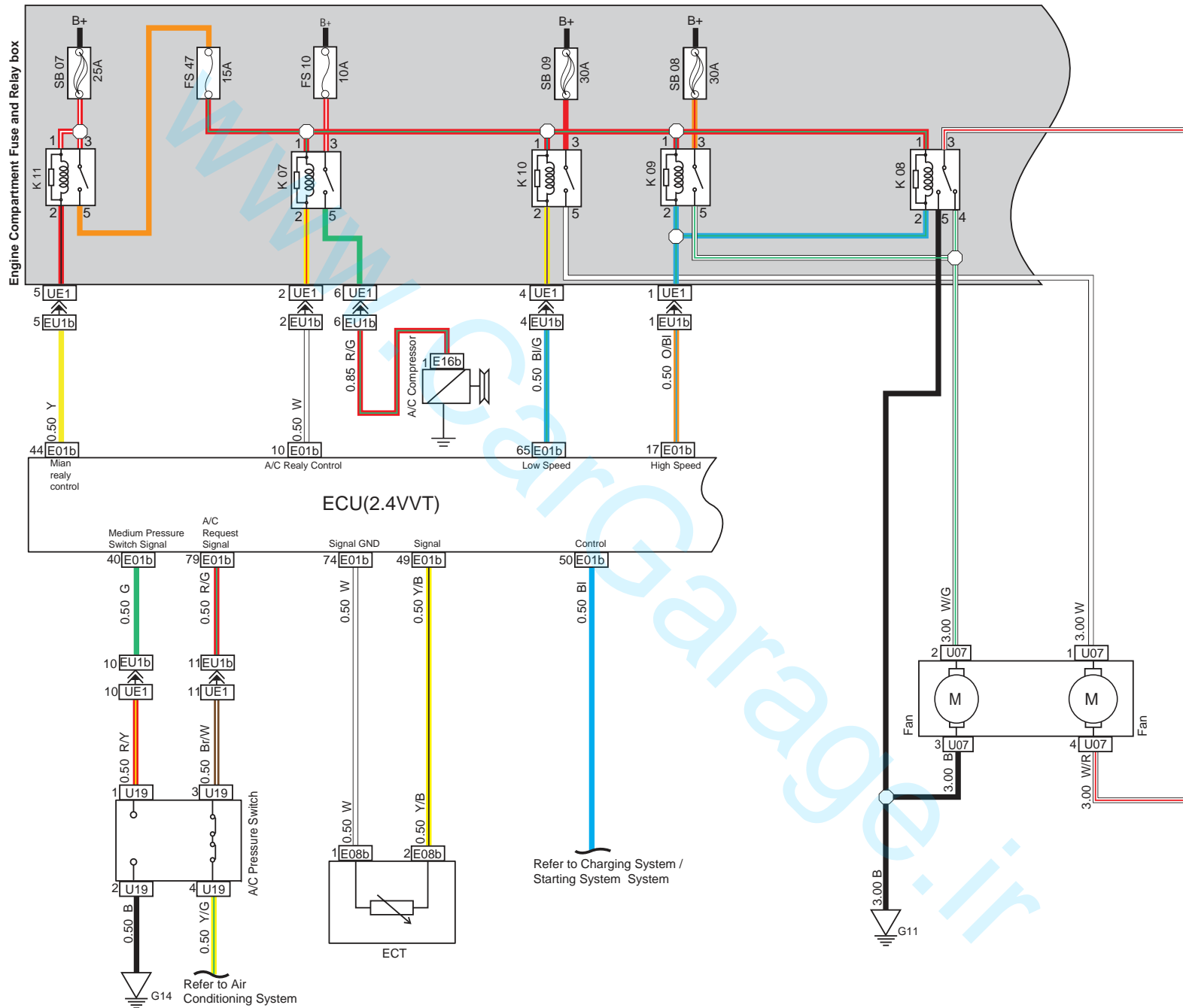
# Cooling System / A/C Compressor System(1.8VVVT)

www.CarGrays.com



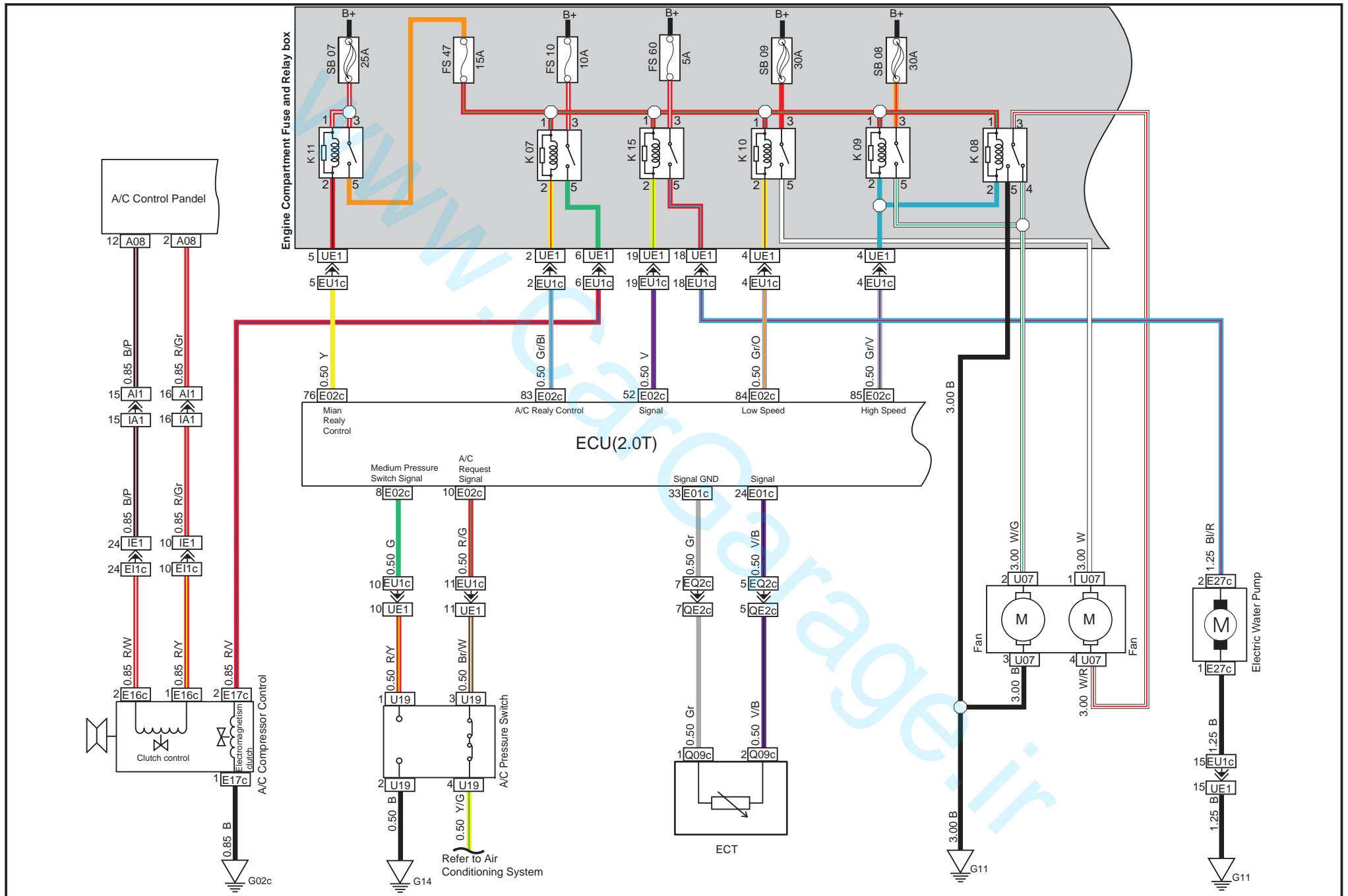
# Cooling System / A/C Control System(2.4VVT)

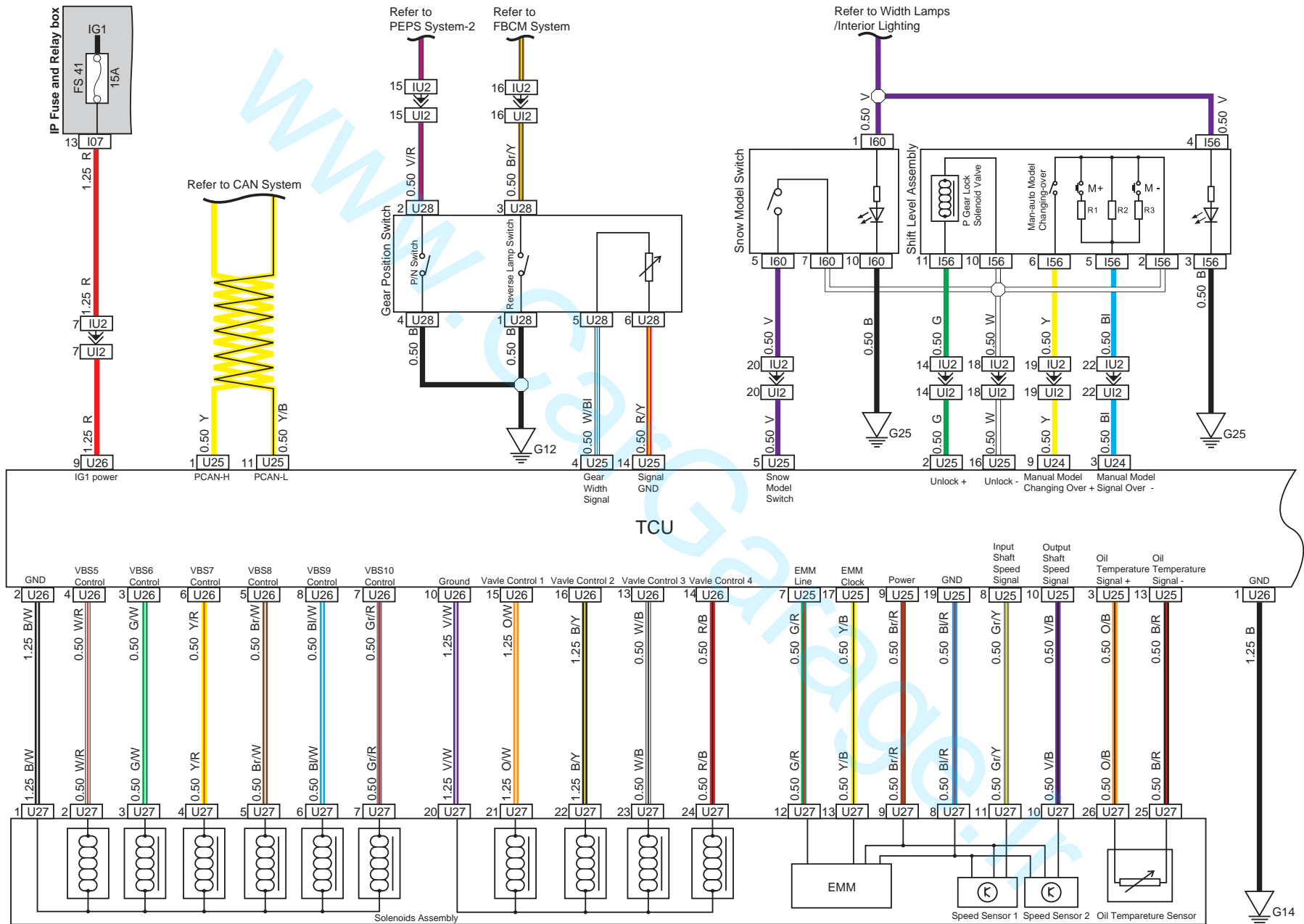
www.CarGigs.com



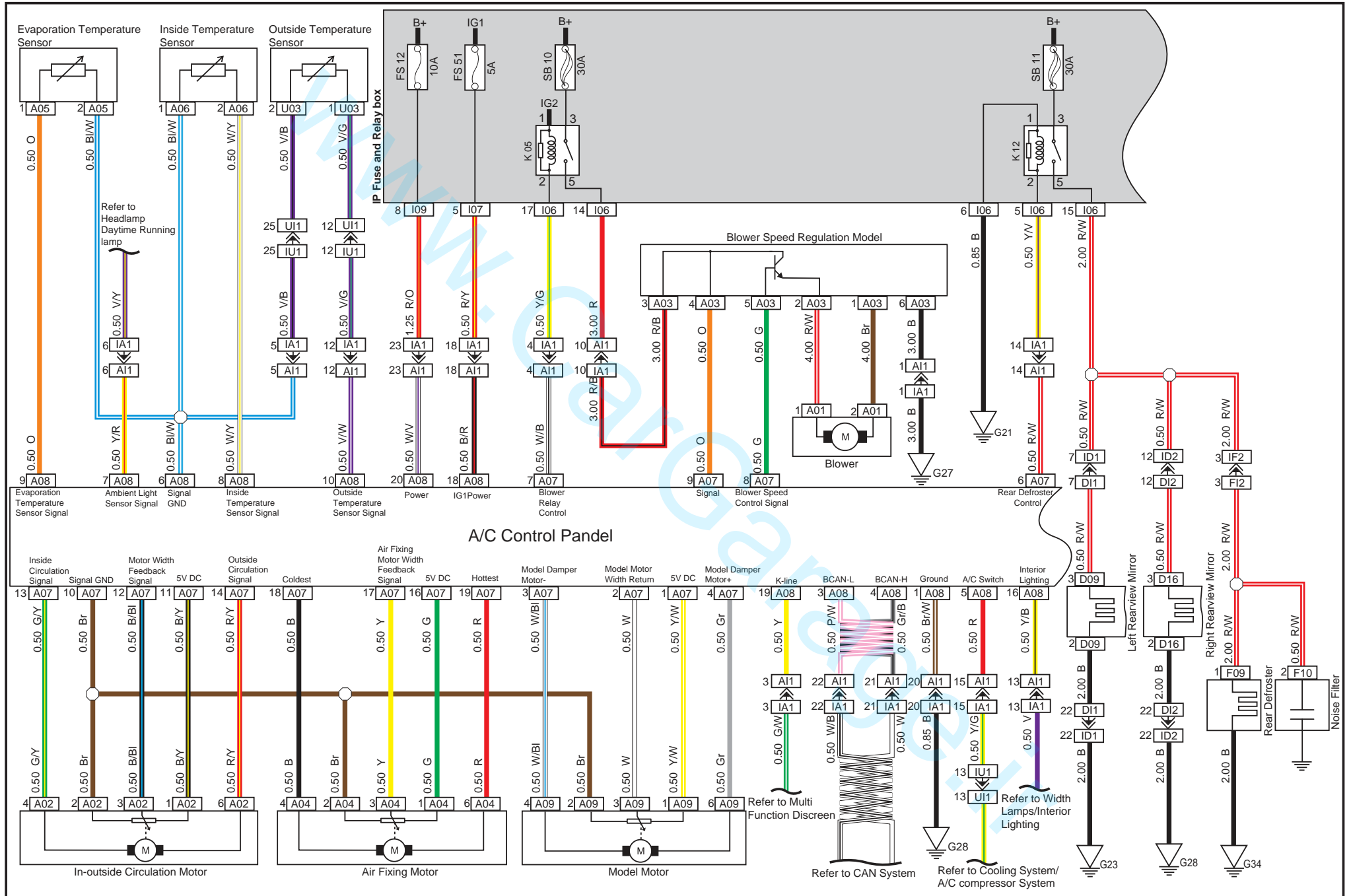
# Cooling System / A/C Compressor System(2.0T)

www.CeGalaxy.com

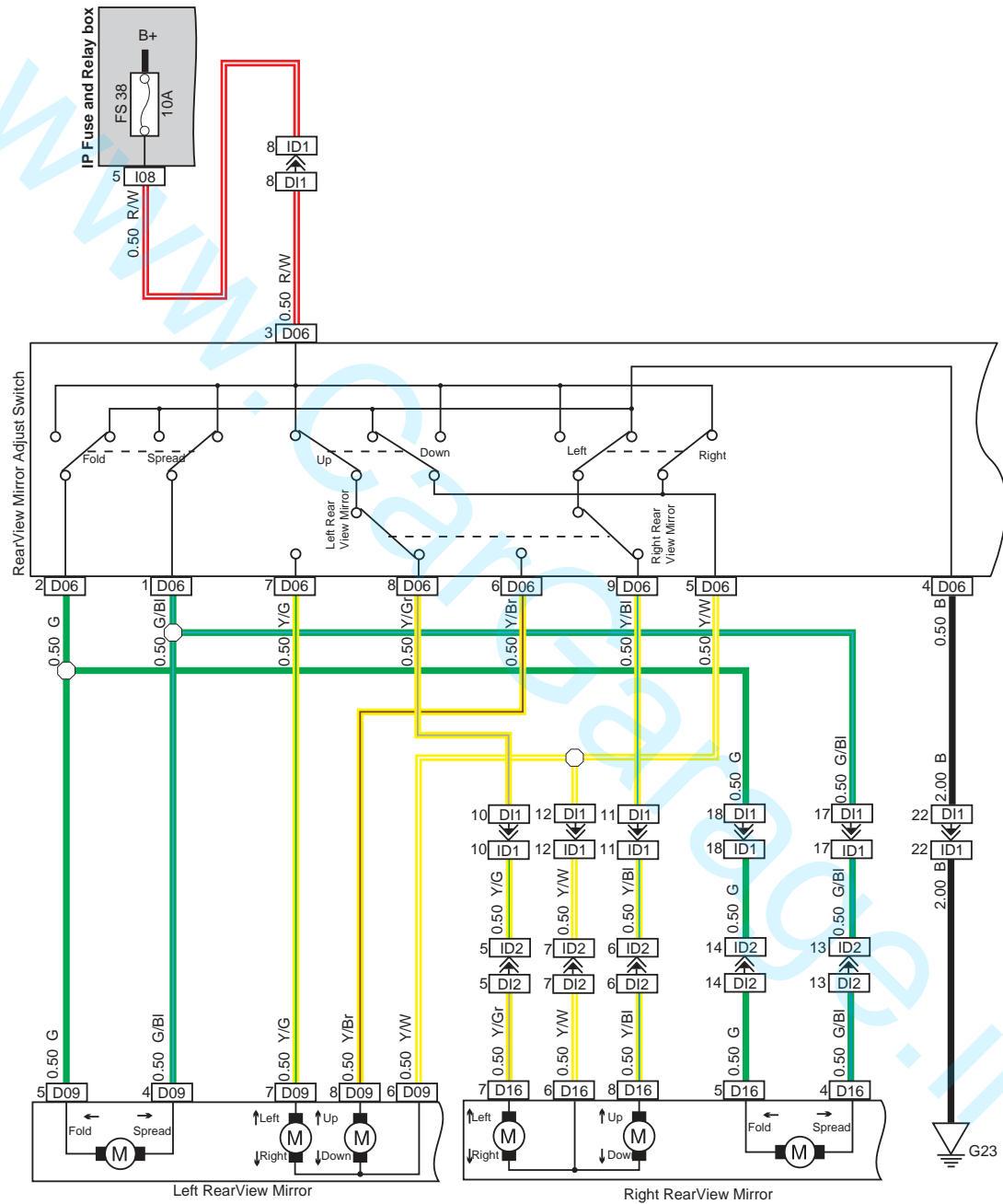




# Air Conditioning System / Rear Defroster

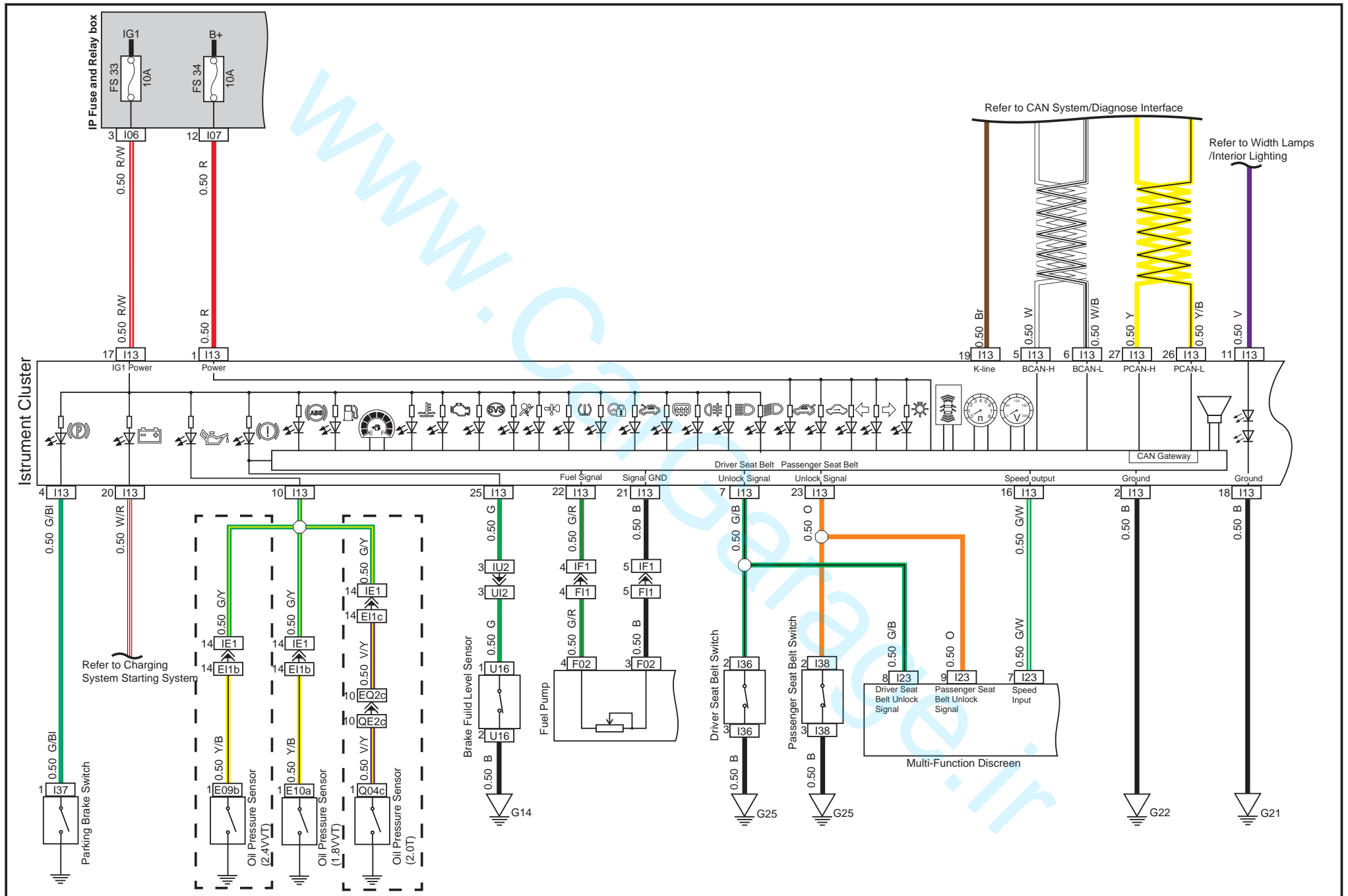


# Power RearView Mirror

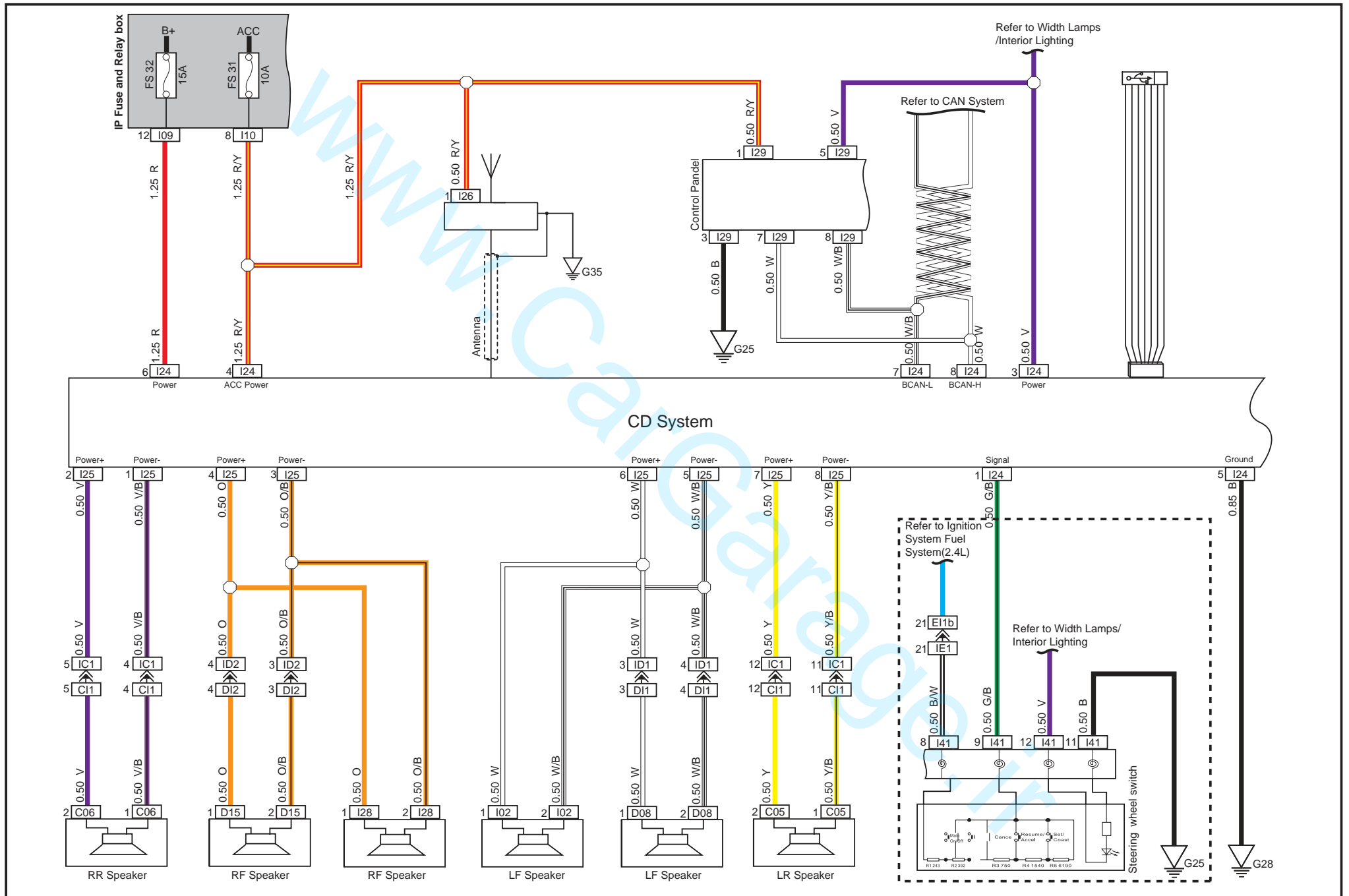


# Instrument Cluster System

www.CarSage.com

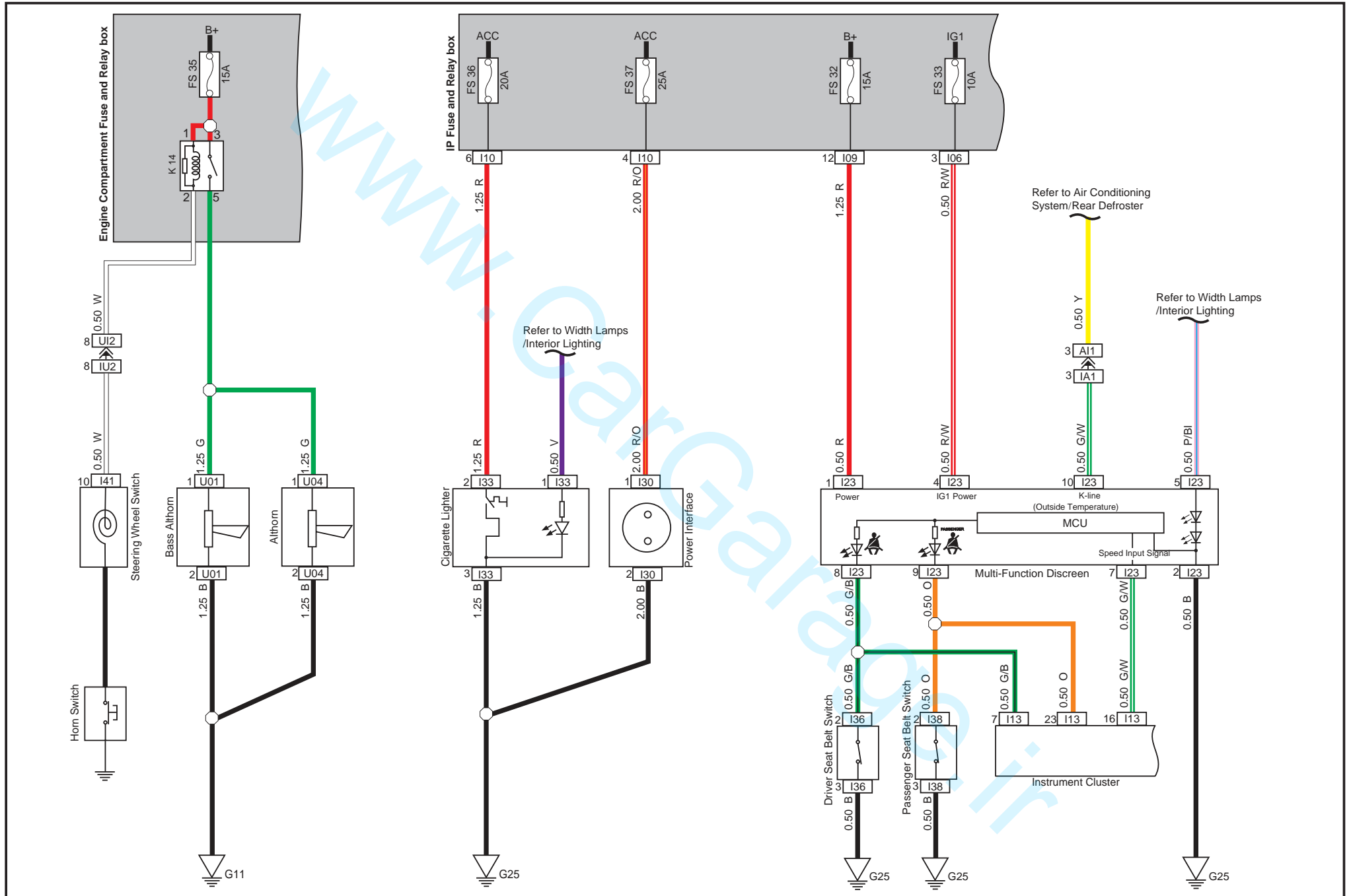






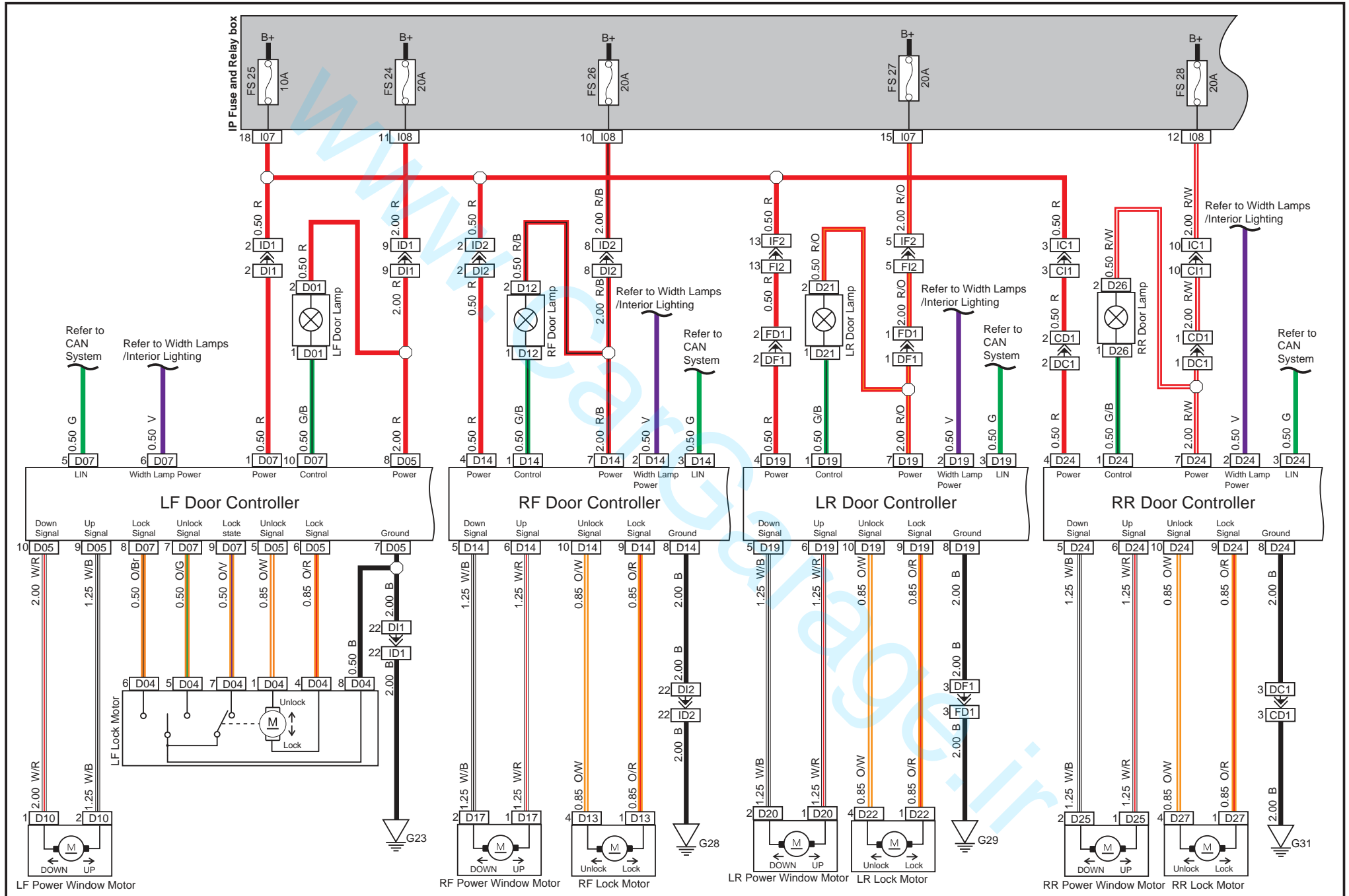
# Multi-Function Discreen / Cigarette Lighter / Horn

www.CarGarg.com

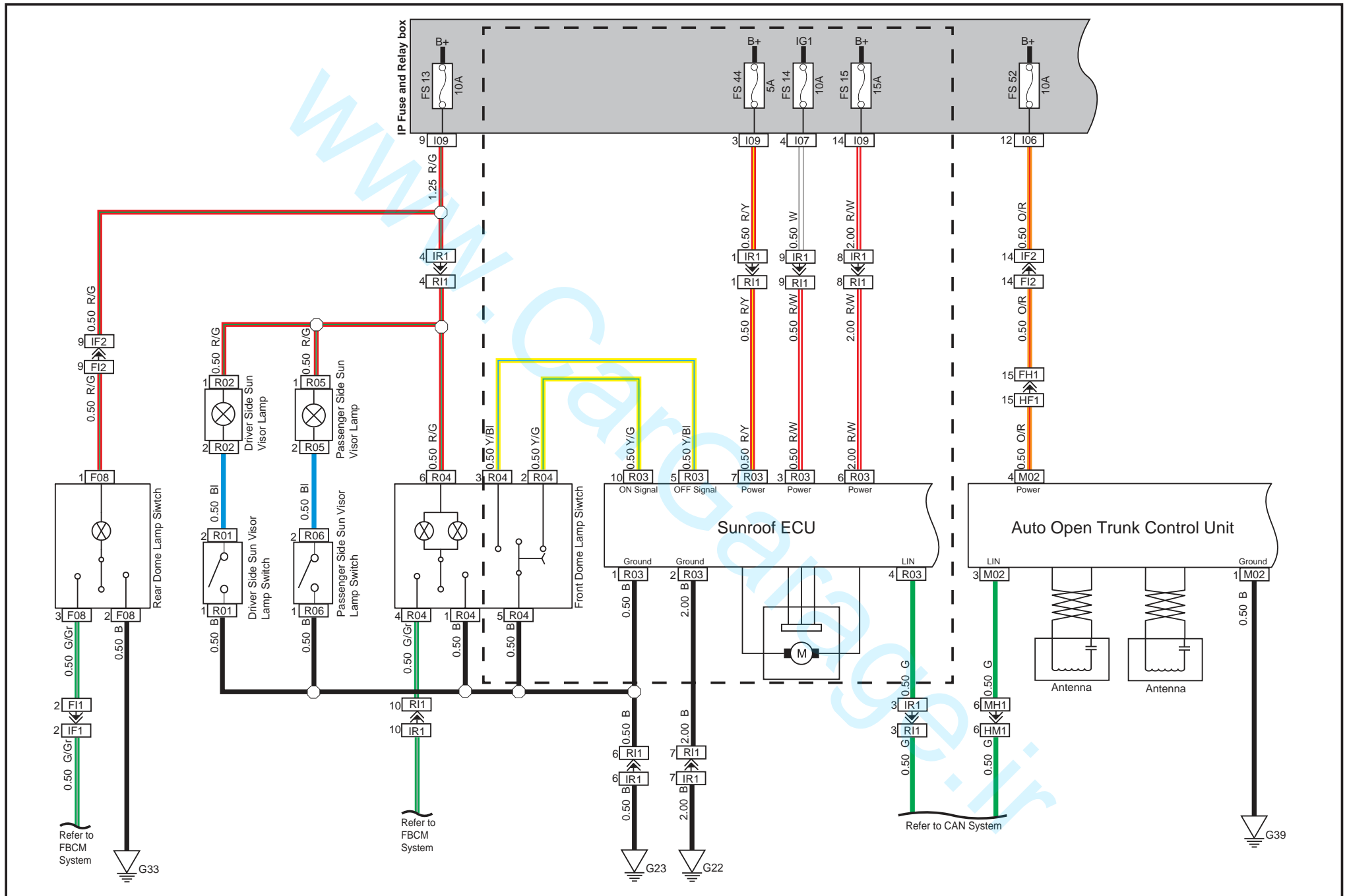


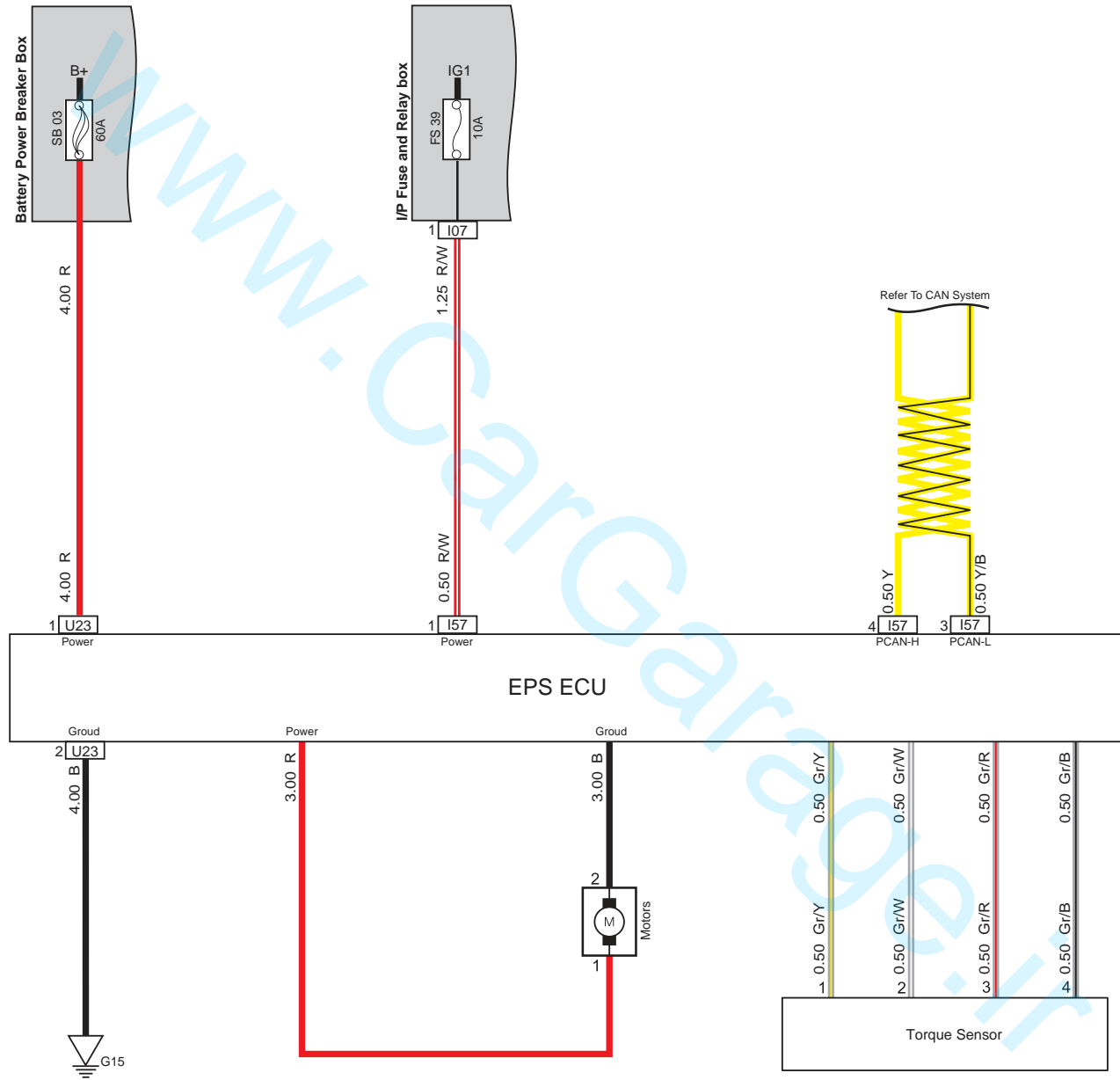
# Door Controller System

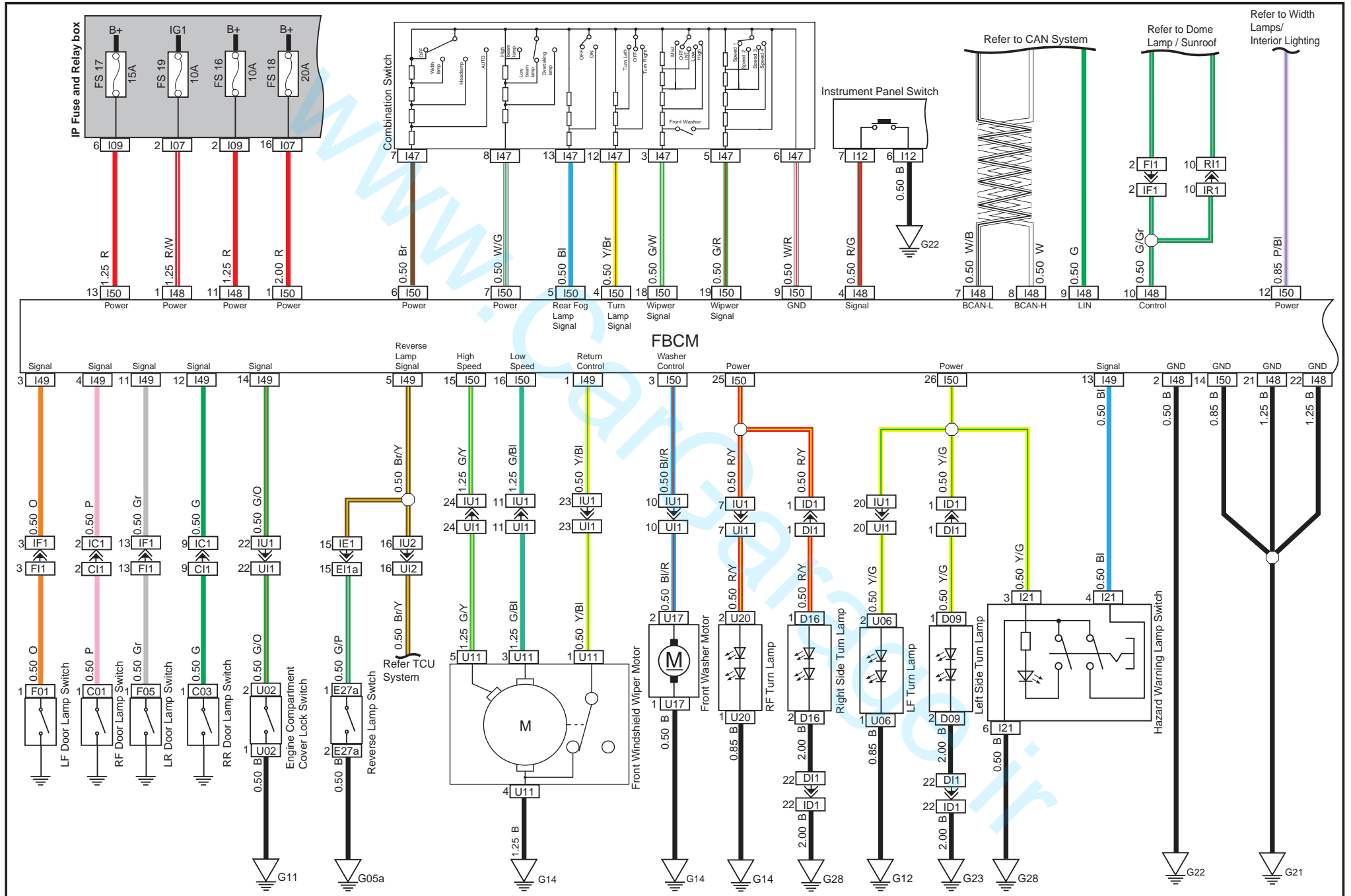
www.CarGarage.ir

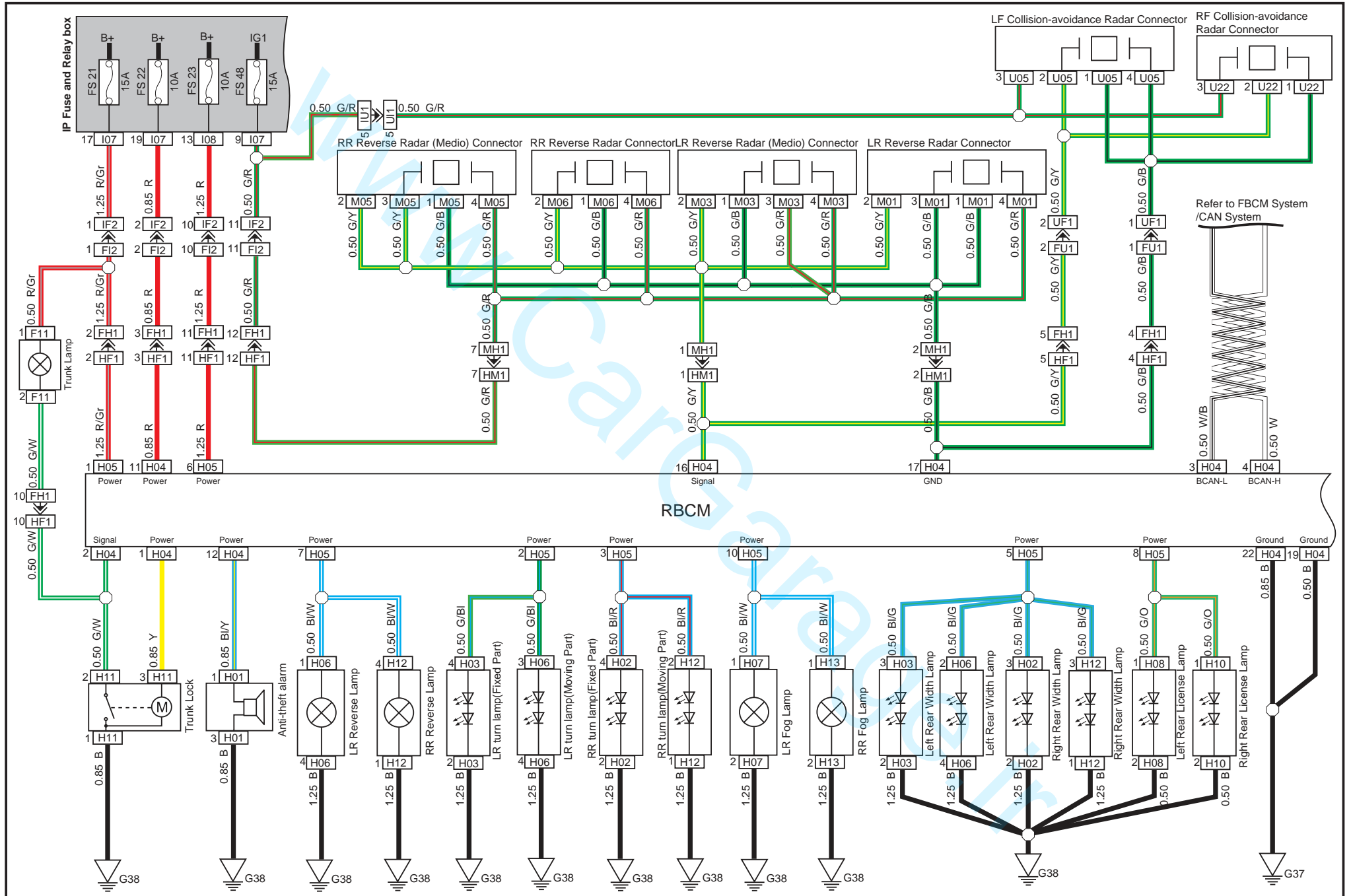


# Dome Lamp / Sunroof / Trunk System





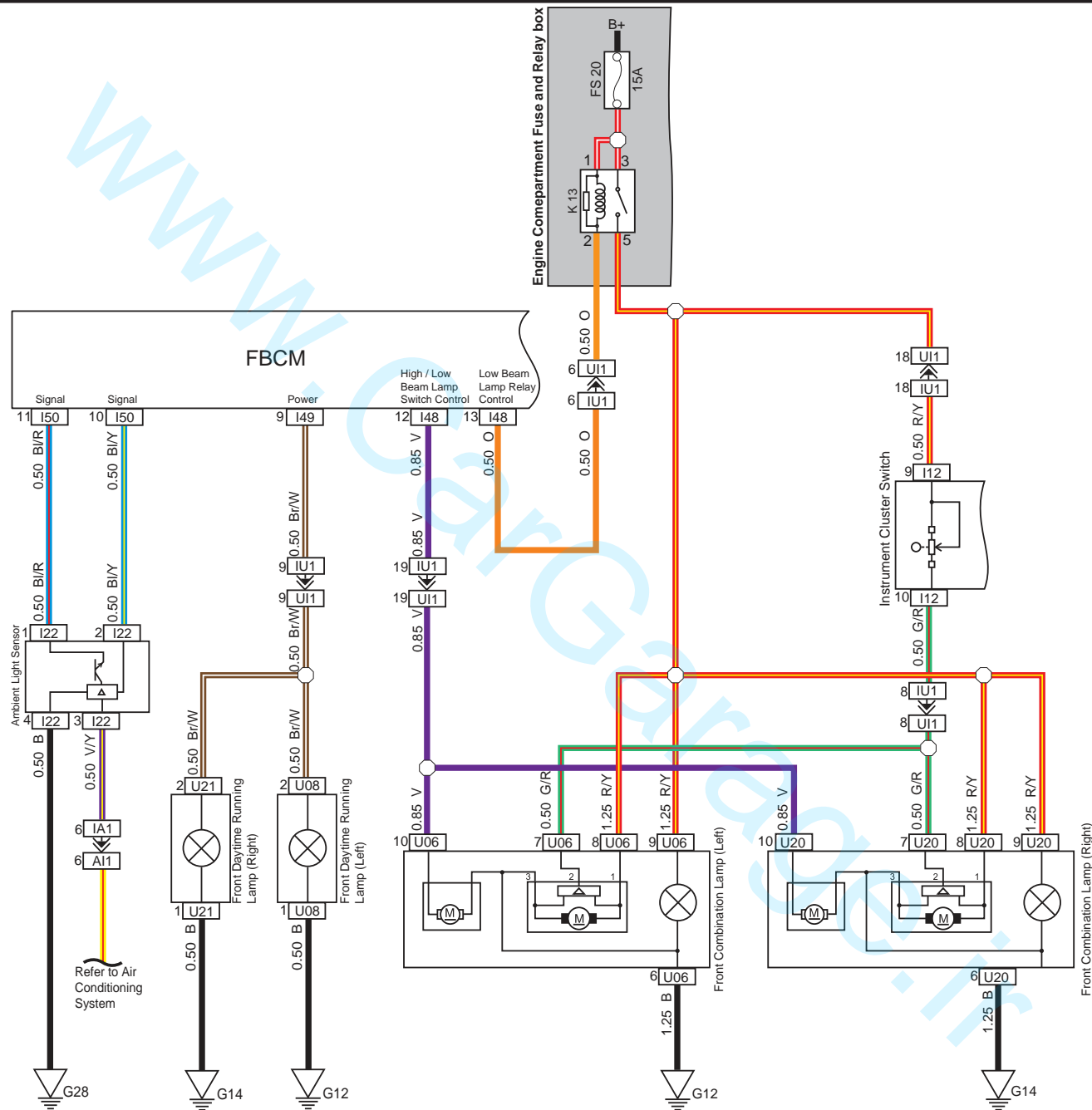




Refer to FBCM System /CAN System

# Headlamps Daytime Running Lamp

www.CarGarage.in

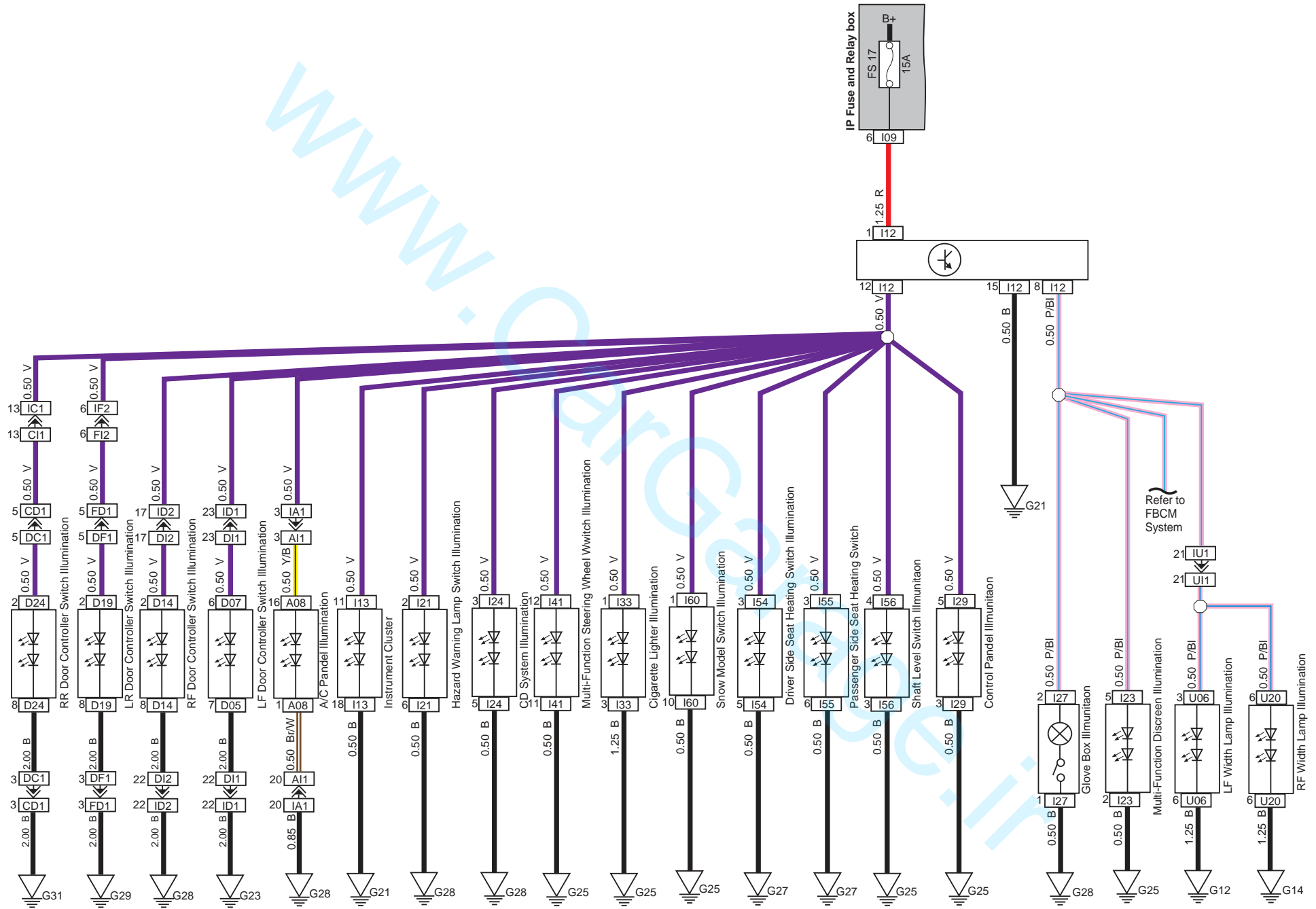




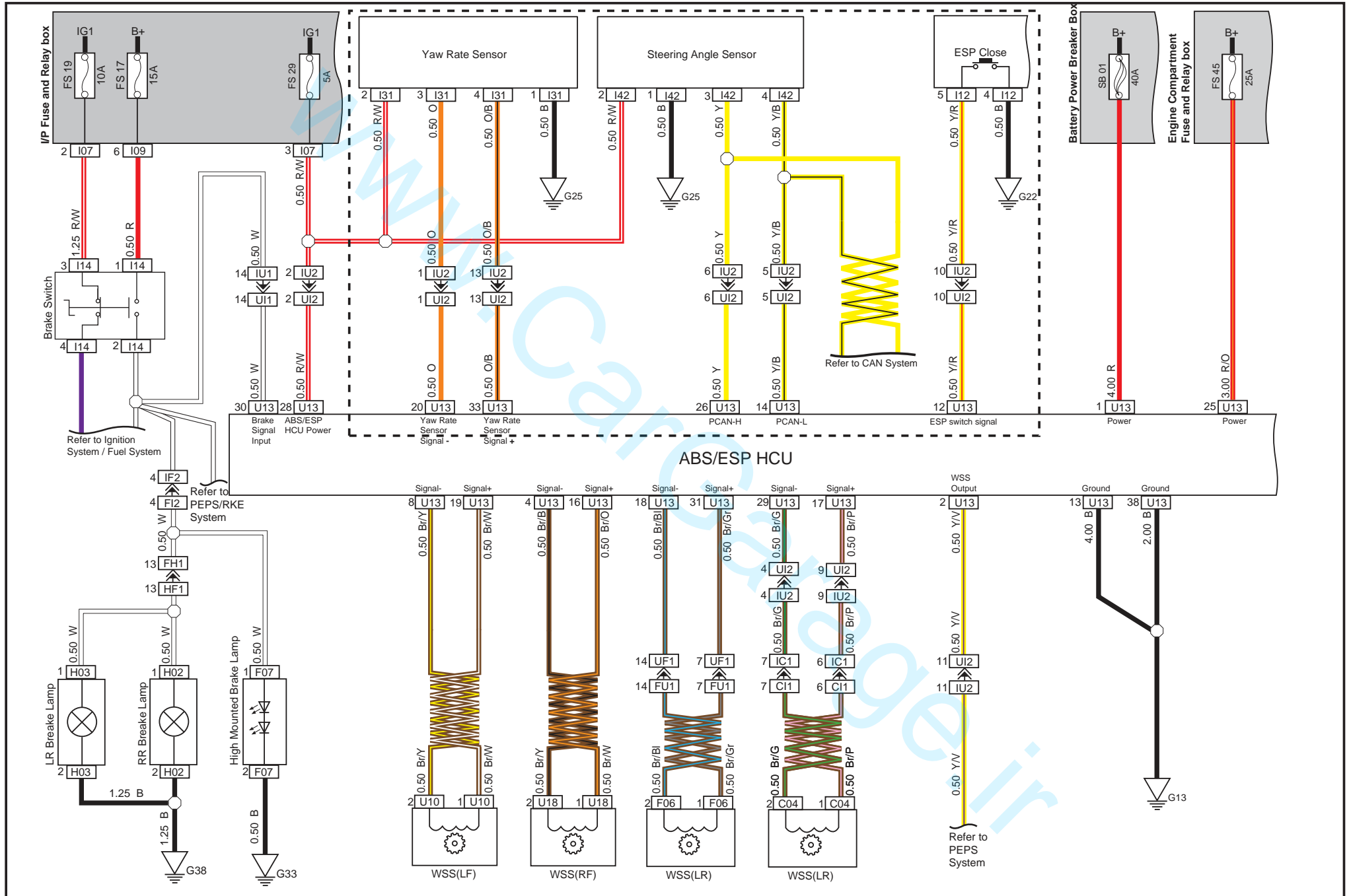
# Width Lamps / Interior Lighting

www.CarAuto.org

WWW! CarAuto.org

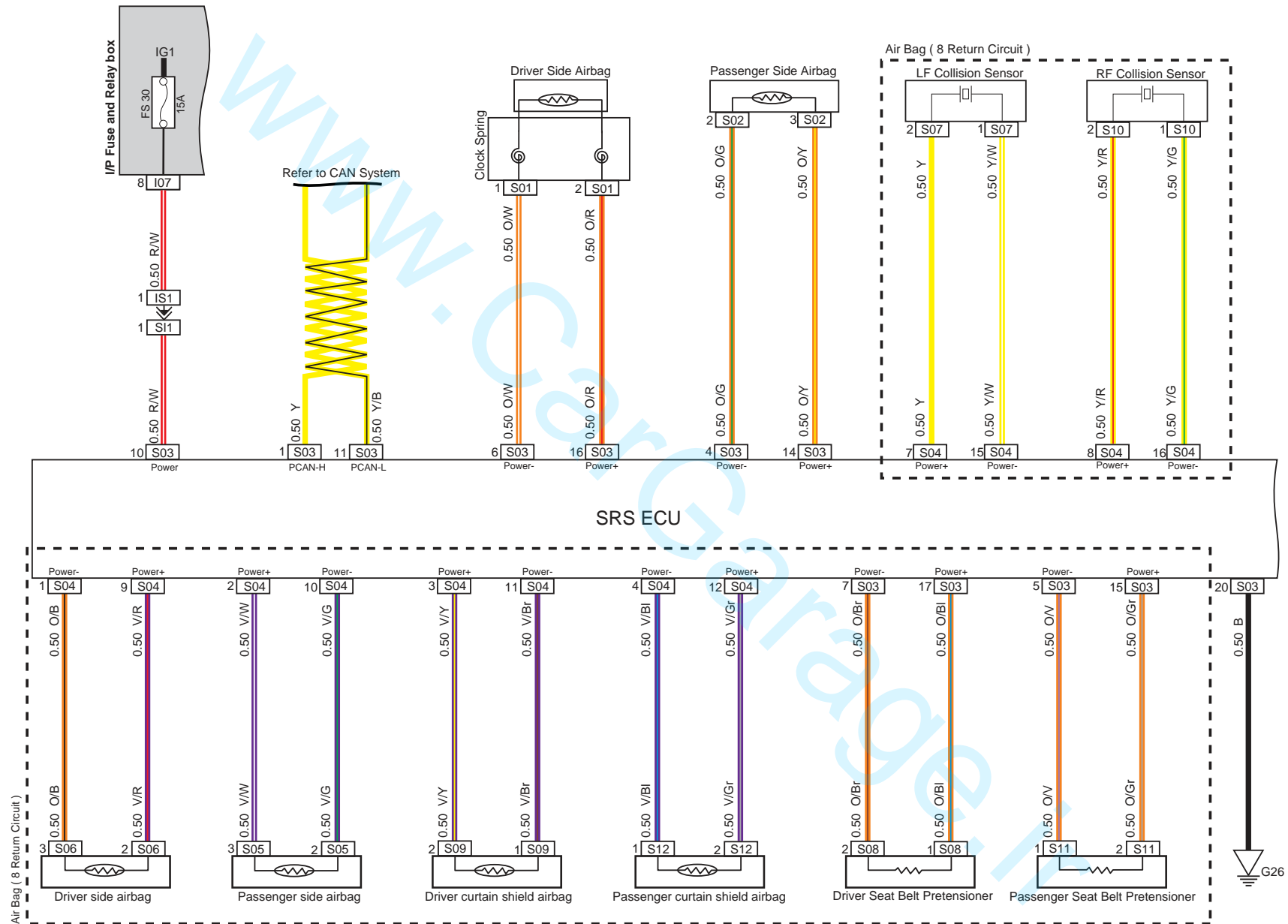


# Supplemental Restraint System

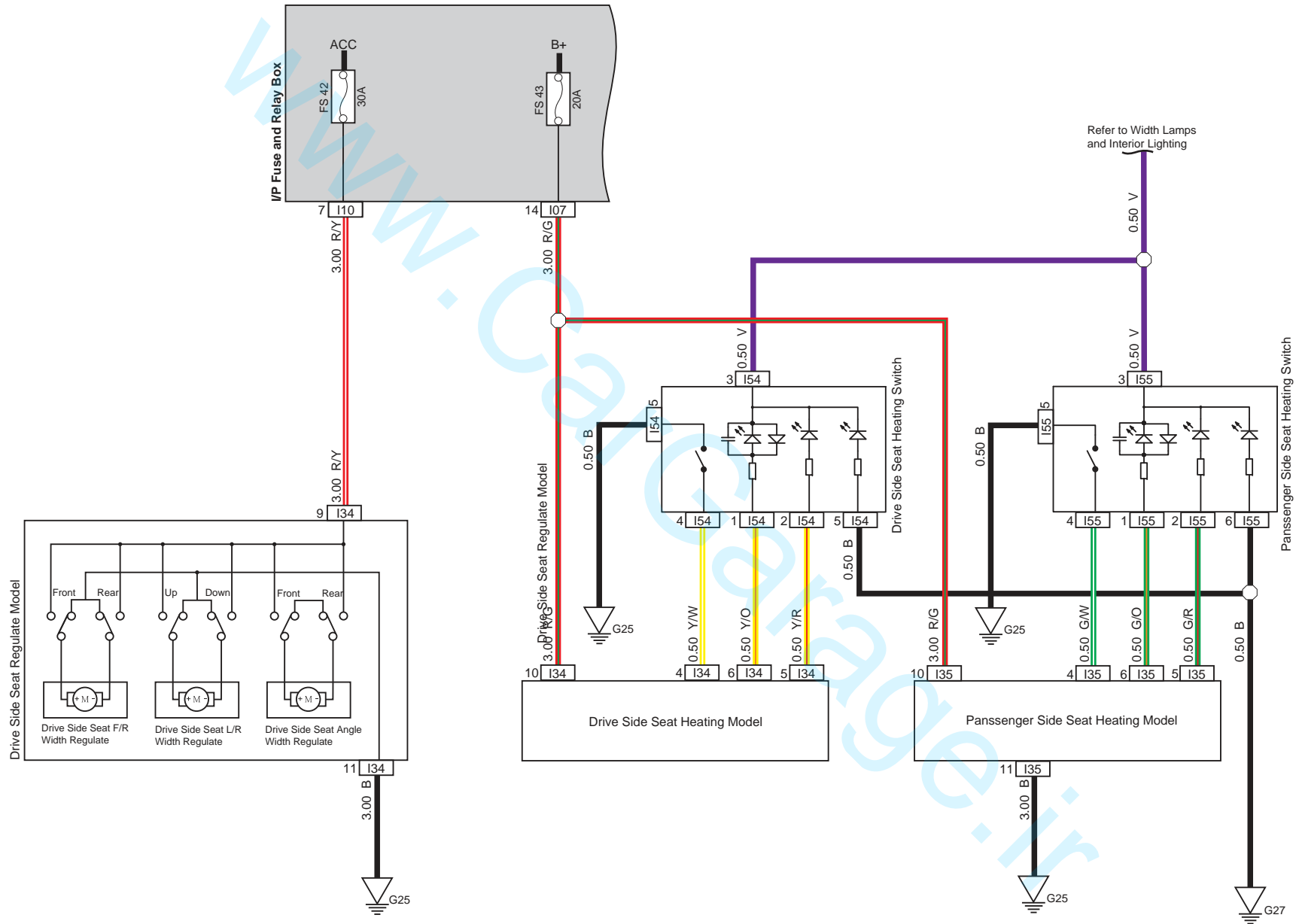


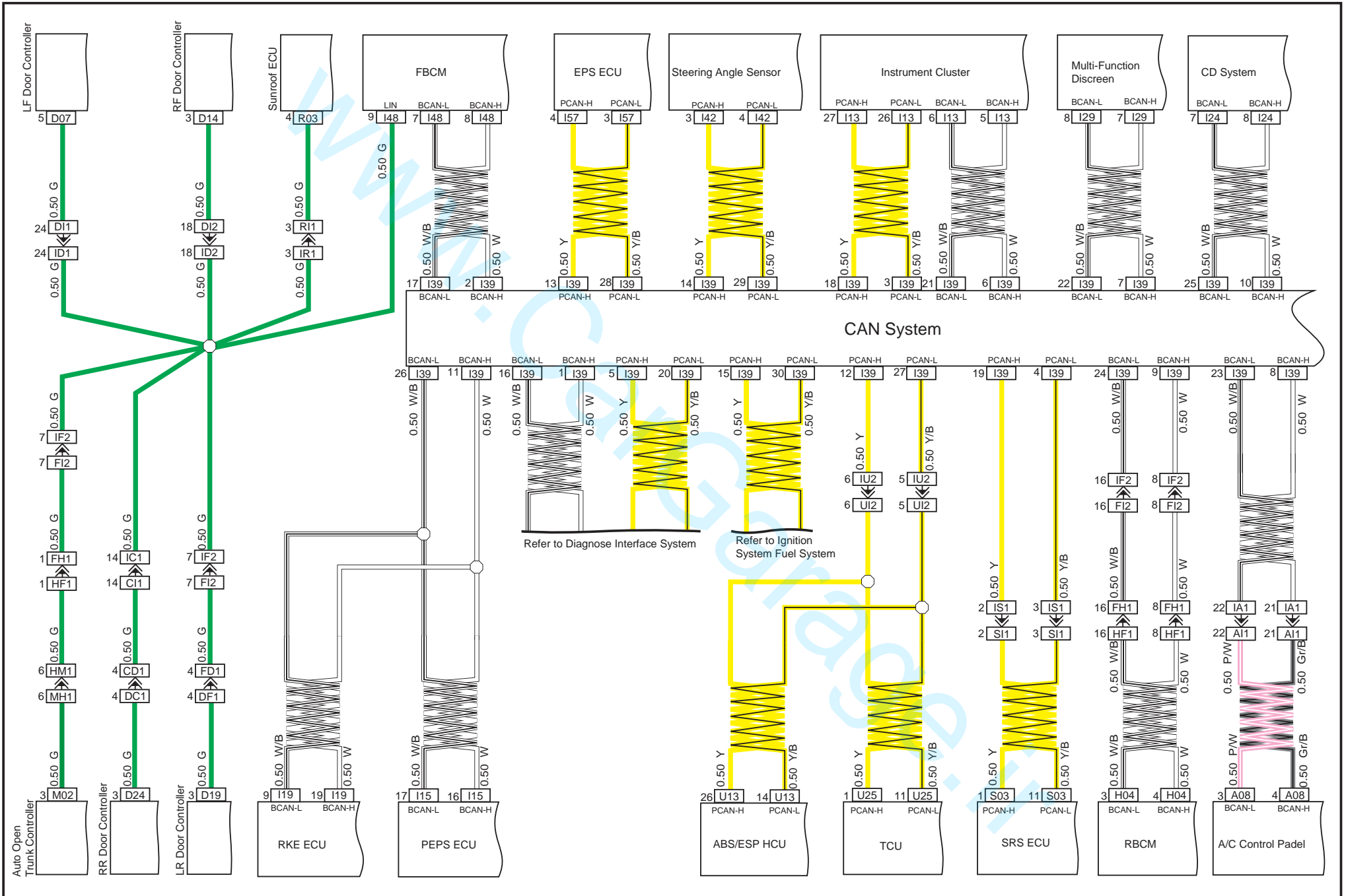
# ABS / ESP System / Brake Lamp

www.CatGarage.com

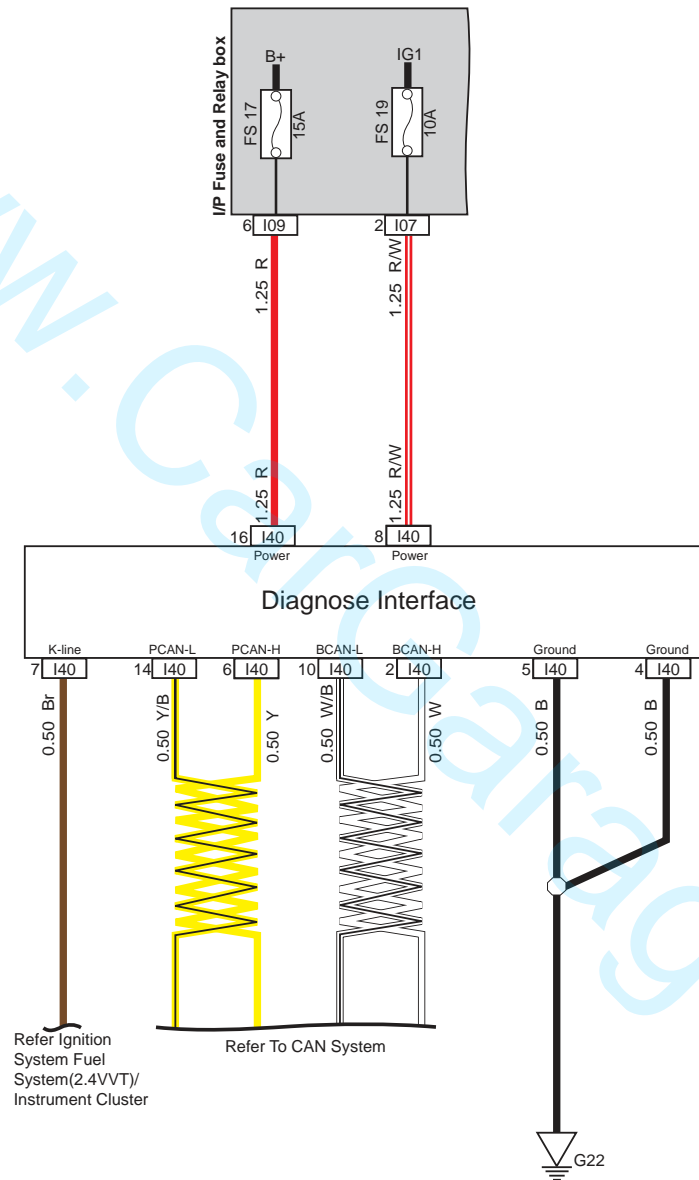


# Power Seat / Seat Heating System



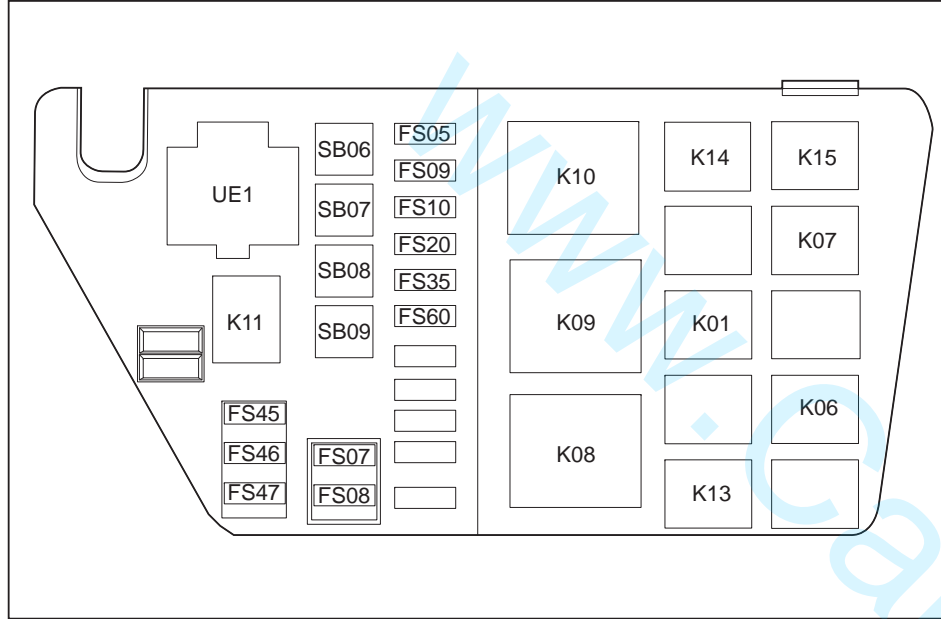


# Diagnose Interface System



# Engine Compartment Fuse and Relay Box

## Engine Compartment Fuse and Relay Box



## Fuse

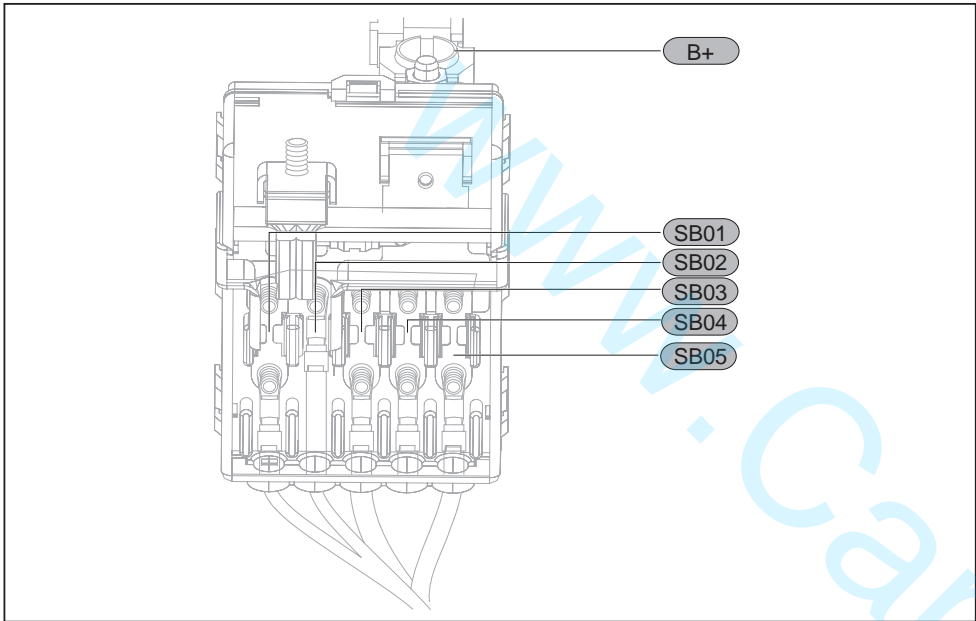
Code	Application	Rated Current (A)	Description
FS05	ECU Fuse	10A	
FS07	Front Oxygen Sensor Fuse	5A	
FS08	Rear Oxygen Sensor Fuse	5A	
FS09	Fuel Pump Fuse	15A	
FS10	A/C Compressor Fuse	10A	
FS20	Low-Beam Lamp Fuse	15A	
FS35	Horn Fuse	15A	
FS45	ABS Fuse	25A	
FS46	Ignition Coil Fuse	15A	
FS47	Injector Fuse	15A	
FS60	Electric Water Pump Fuse	5A	
SB06	Startor Fuse	20A	2.0T Engine
SB07	Main Relay Fuse	25A	
SB08	High Speed Fan Fuse	30A	
SB09	Low Speed Fan Fuse	30A	

## Relay

Code	Application	Description
K01	Start Relay	
K06	Fuel Pump Relay	
K07	Compressor Relay	
K08	Adjusting Fan Relay	
K09	High Speed Fan Relay	
K10	Low Speed Fan Relay	
K11	Main Relay	
K13	High/Low-Beam Lamp Relay	
K14	Horn Relay	
K15	Electric Water Pump Relay	2.0T Engine

# Battery Power Breaker Box

Battery Power Breaker Box



## Fuse

Code	Application	Rated Current (A)	Description
SB01	ABS/ESP Pump Fuse	40A	
SB02	ABS/ESP Vavle Fuse	--	
SB03	EPS Motor Fuse	60A	
SB04	Engine Compartment Fuse and Relay Fuse	80A	
SB05	IP Fuse and Relay	80A	



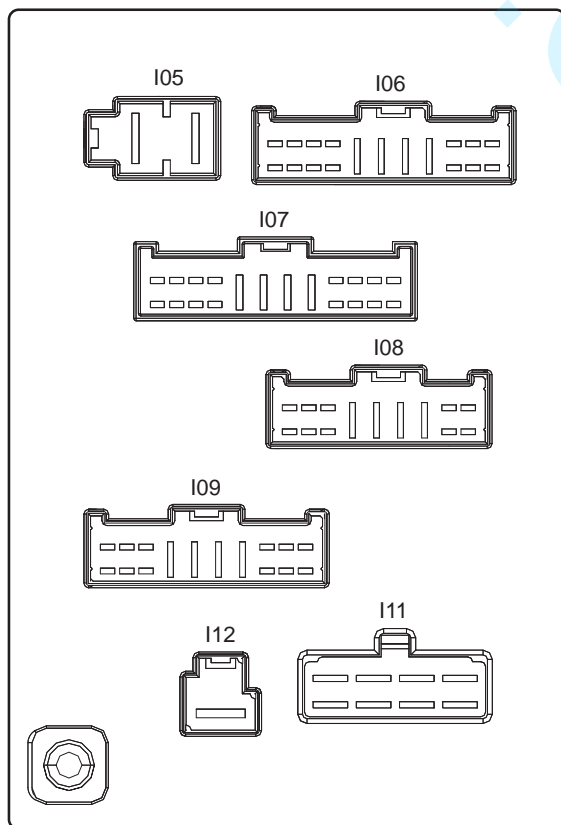


# IP Fuse and Relay Box

## Fuse

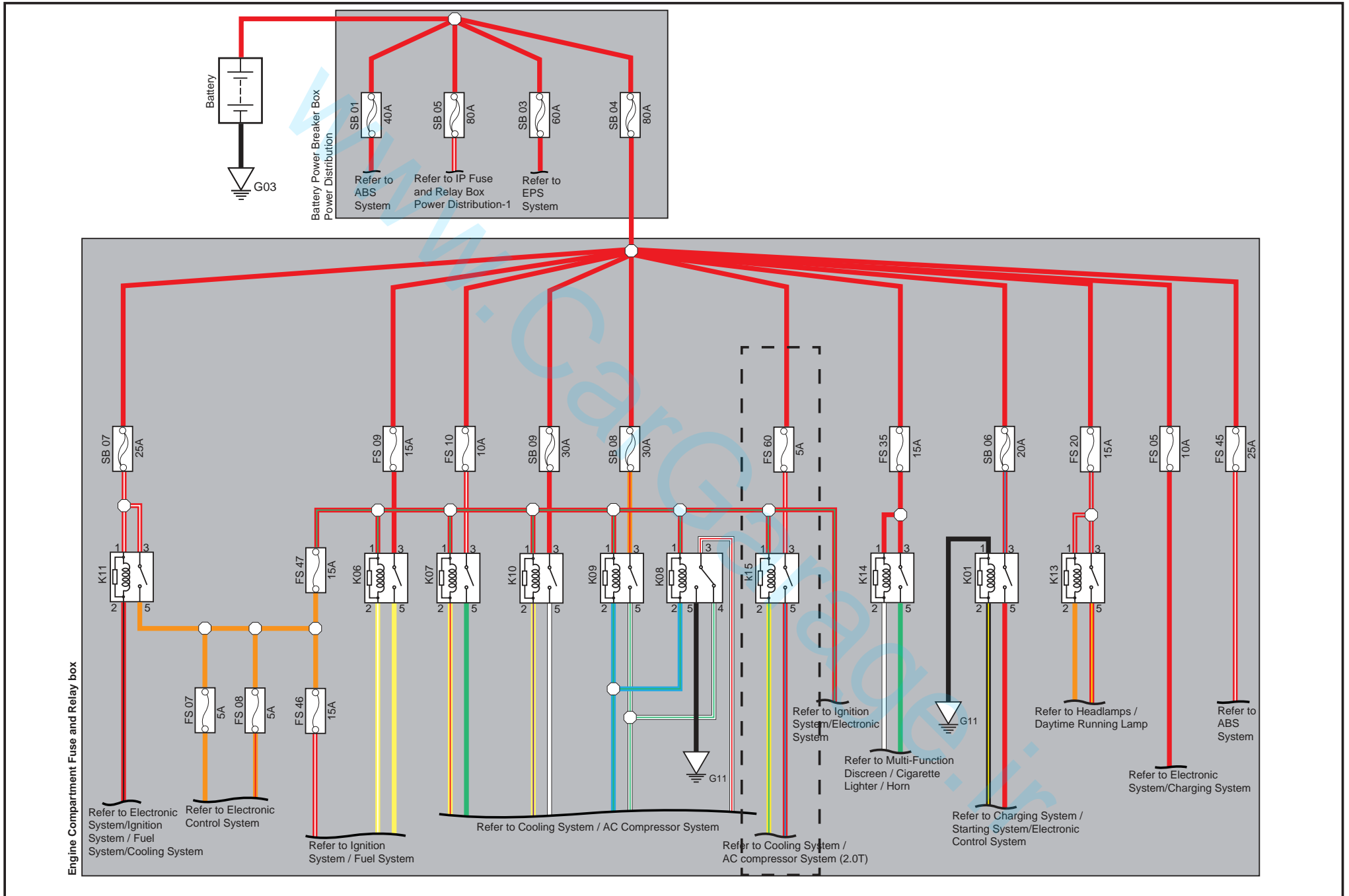
Code	Application	Rated Current (A)	Description
FS57	PEPS/RKE Fuse	10A	
FS58	Spare Fuse	10A	
SB10	Blower Fuse	30A	
SB11	Rear Defroster Fuse	30A	
SB12	Spare Fuse	30A	

## I/P Fuse and Relay Box Back View



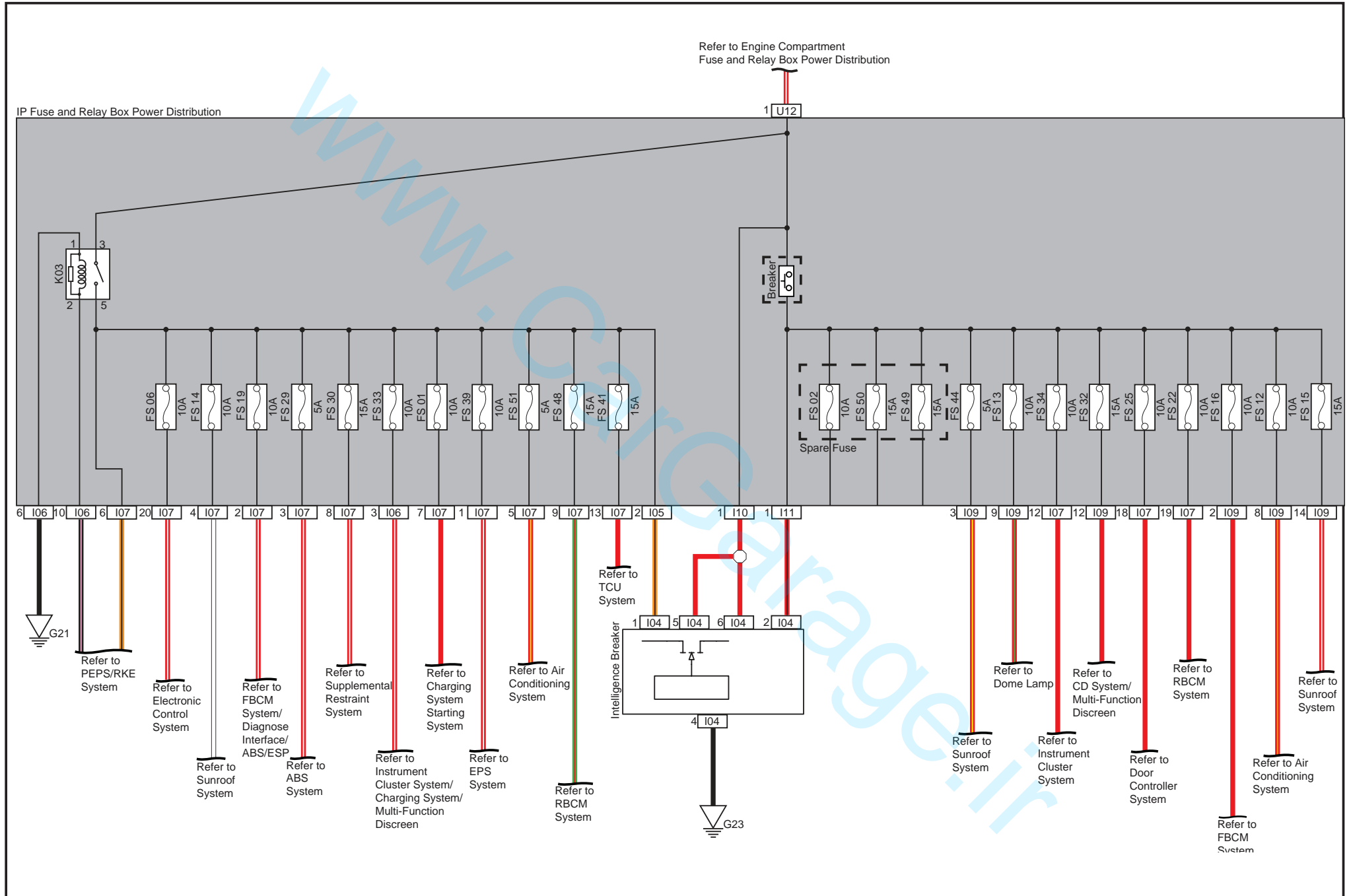
# Engine Compartment Fuse and Relay Box Power Distribution

www.CarGangster.com



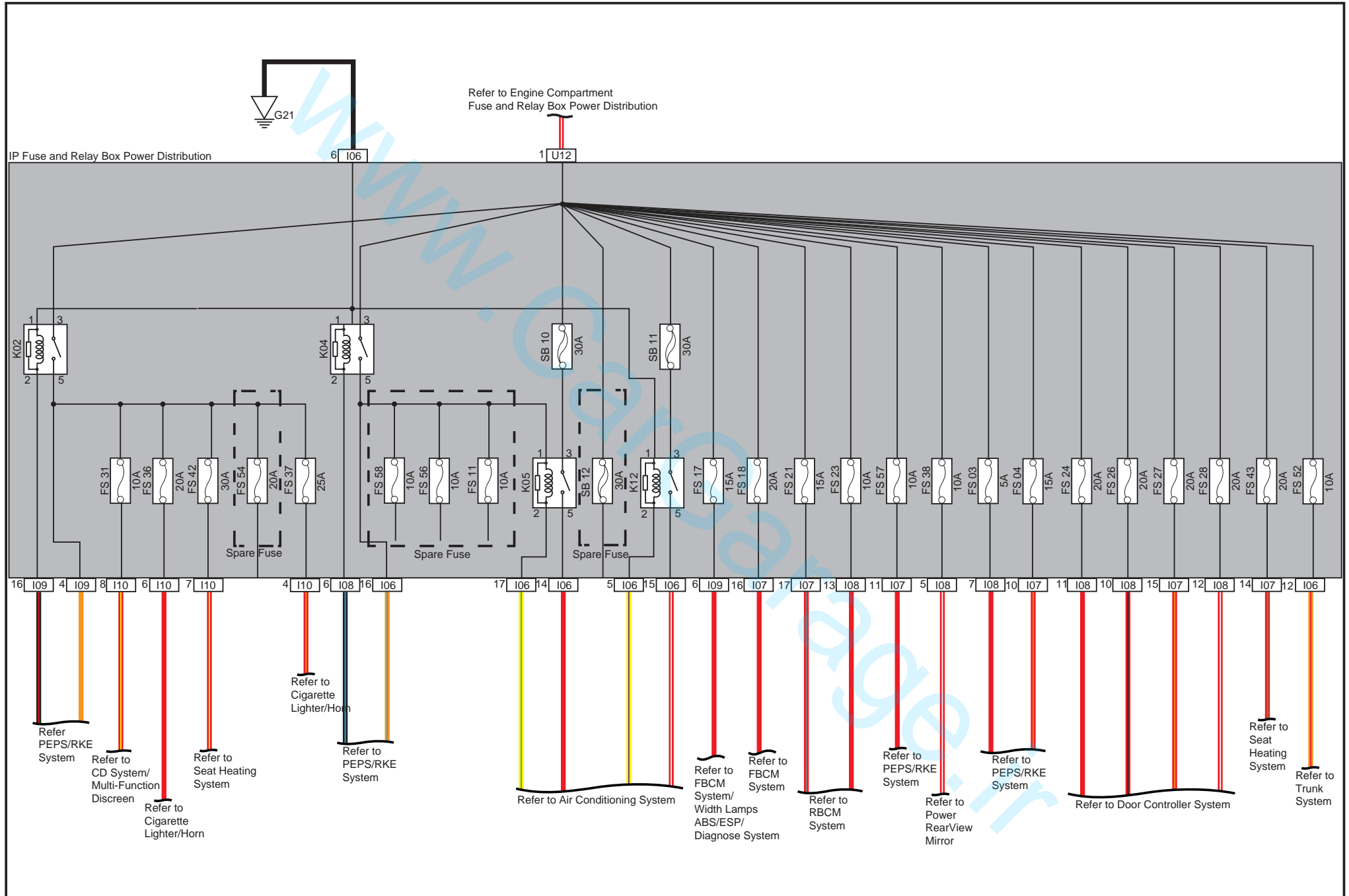
# IP Fuse and Relay Box Power Distribution-1

www.803Garage.com



# IP Fuse and Relay Box Power Distribution-2

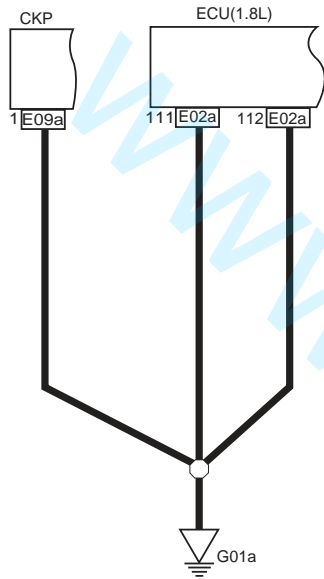
www.800garage.com



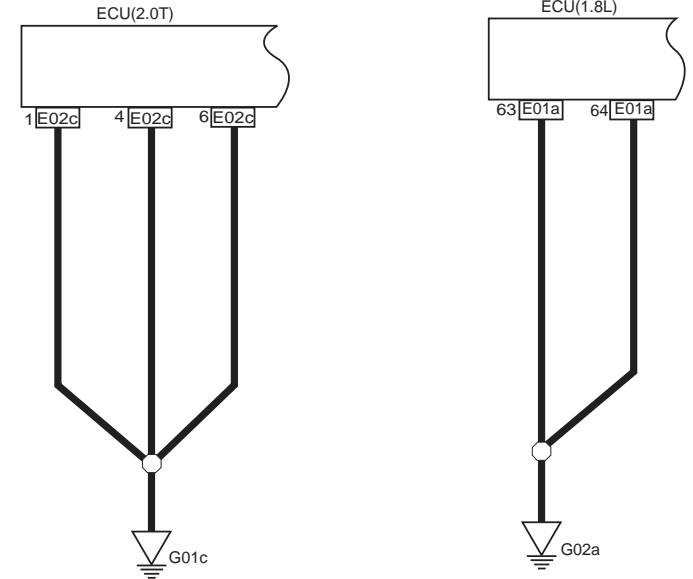
# Ground Distribution-G01a-G01b-G01c-G02a-G02c-G03

www.CarGarage.ir

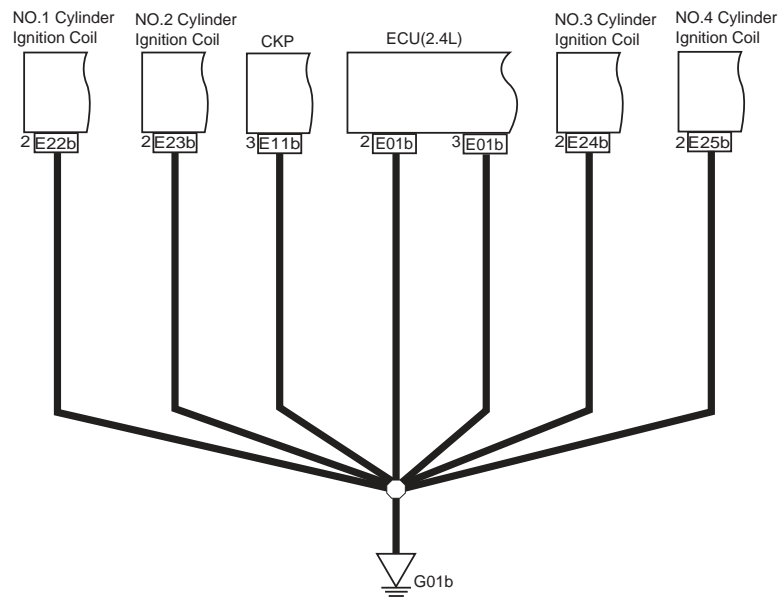
G01a



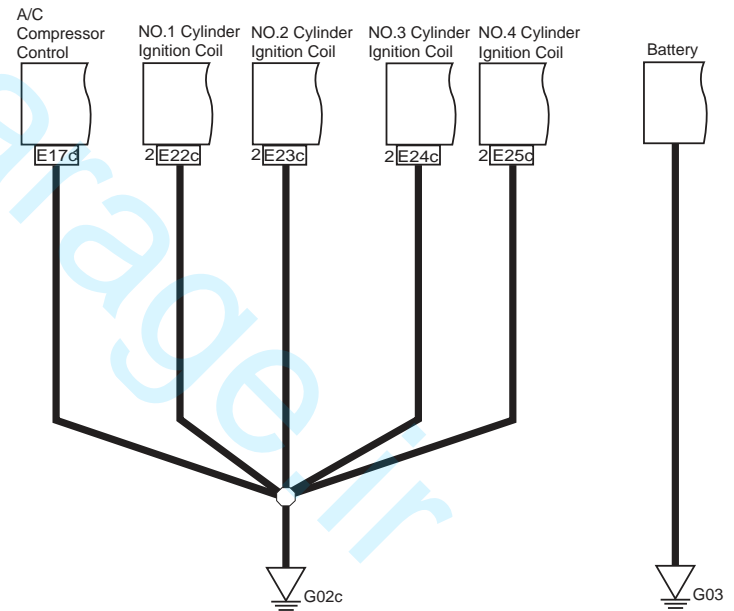
G01C/G02a



G01b

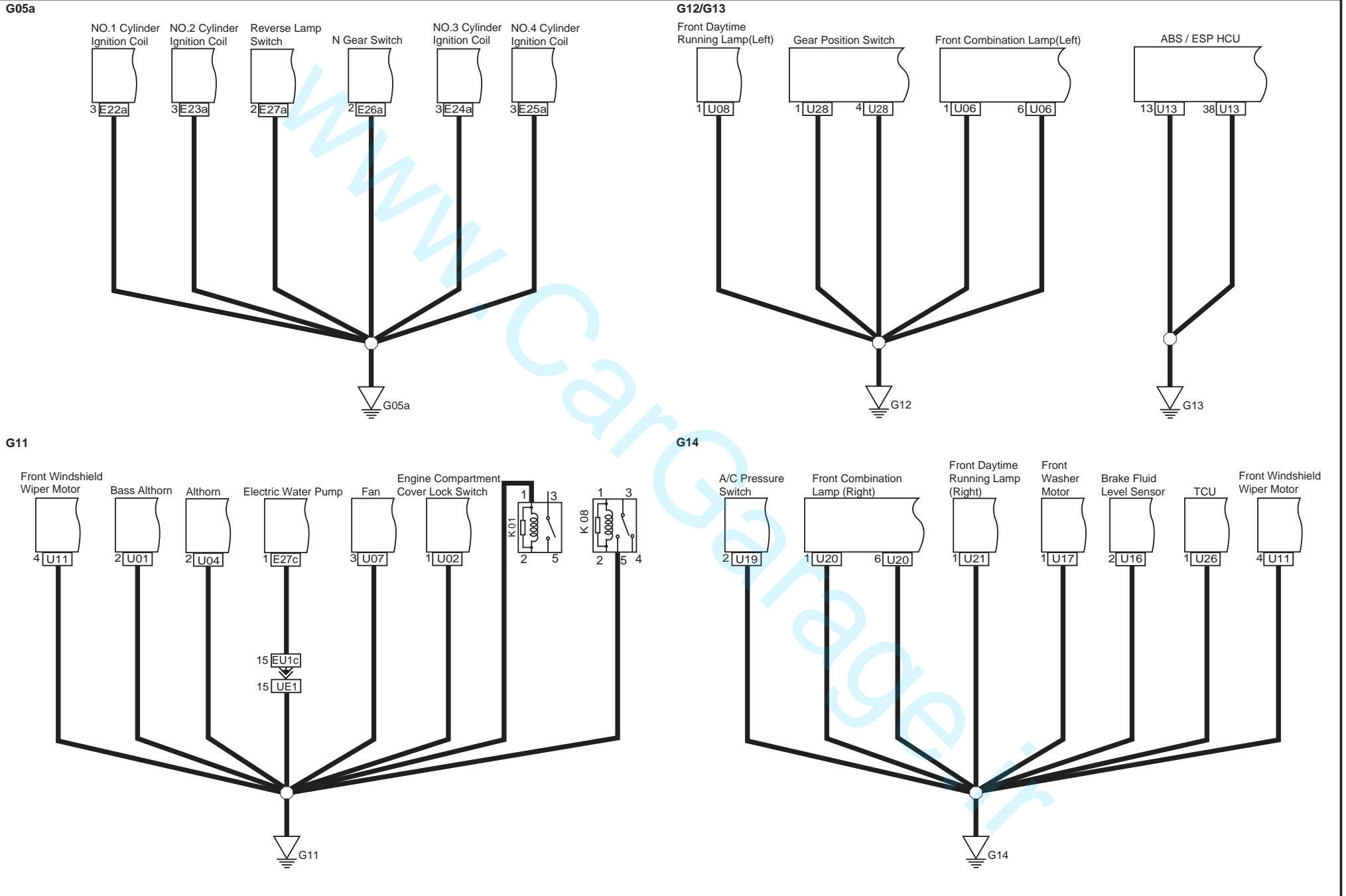


G02c/G03



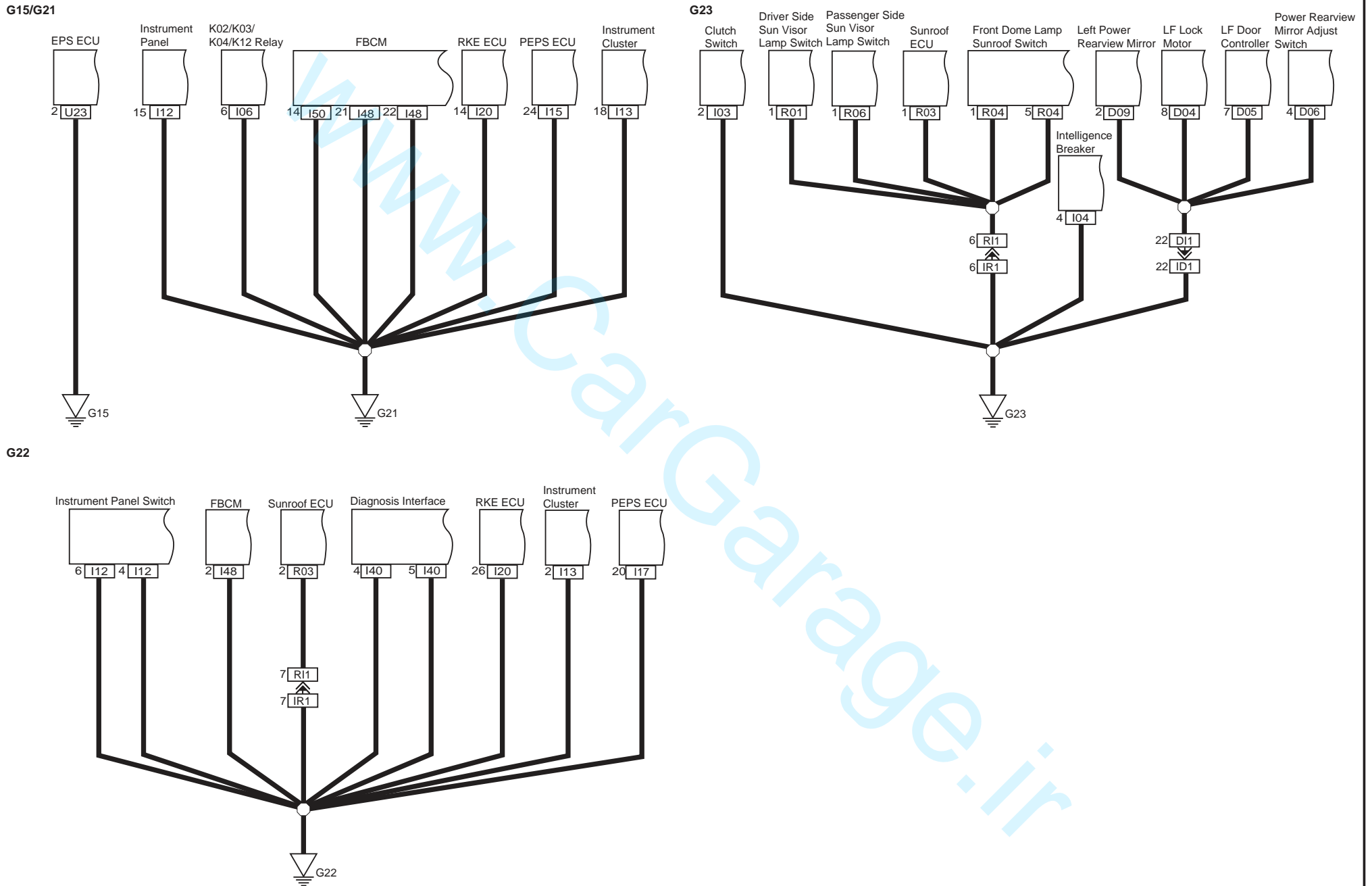
# Ground Distribution G05a-G11-G12-G13-G14

www.CarsGauge.it



# Ground Distribution G15-G21-G22-G23

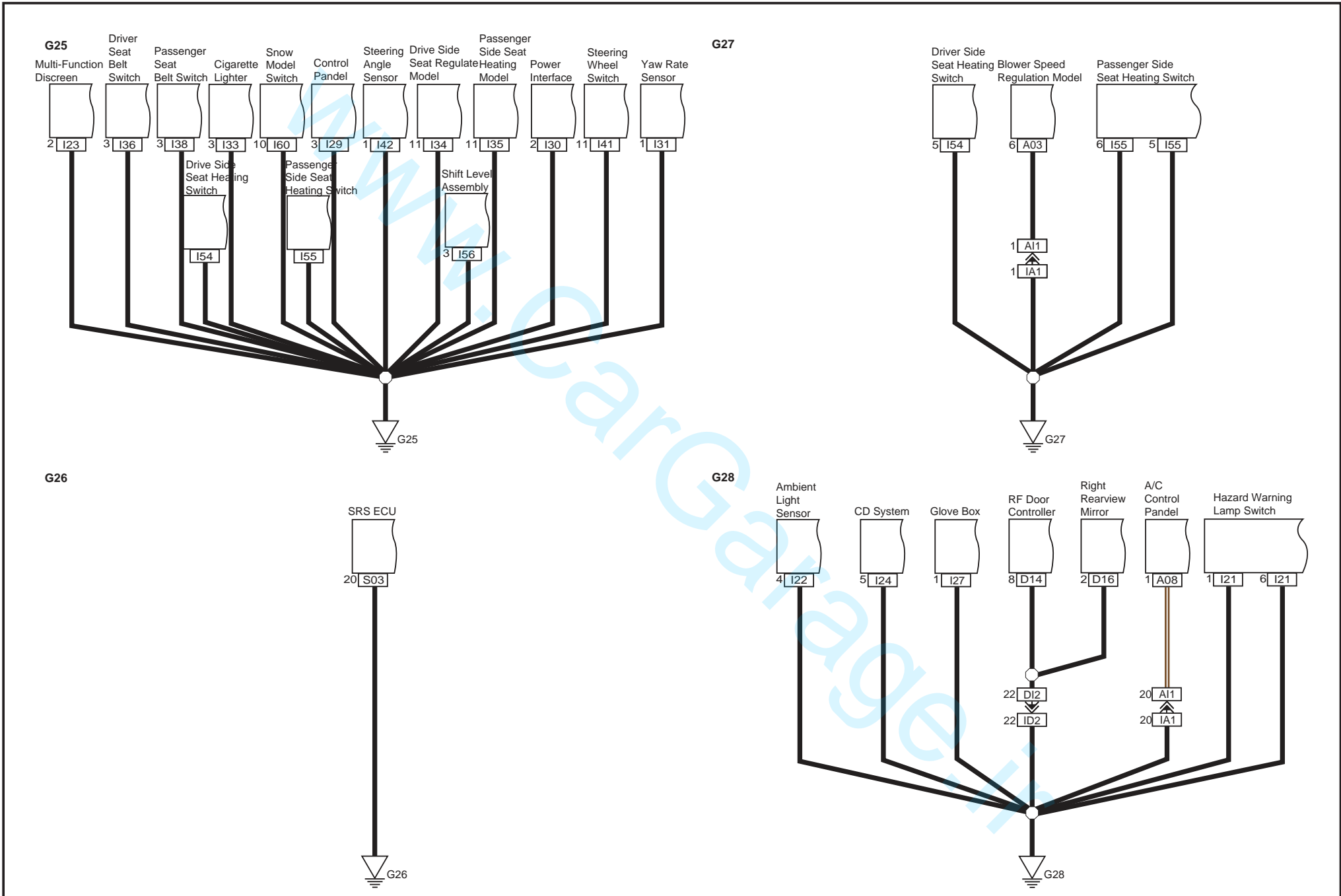
www.CarGarage.ir





# Ground Distribution G25-G26-G27-G28

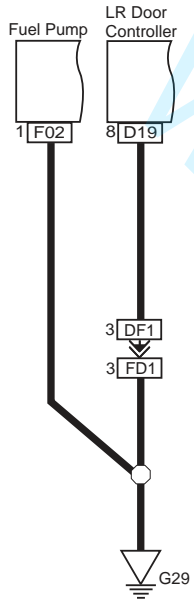
www.car-garage.ru



# Ground Distribution-G29-G31-G33-G34-G37-G39

www.CarGarage.ir

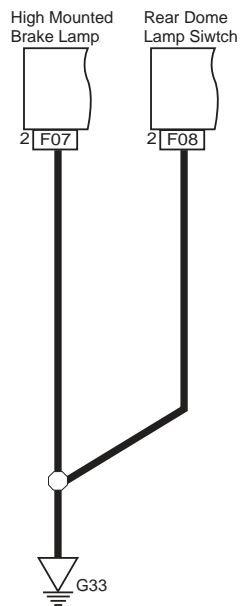
G29/G31



G35



G33/G34



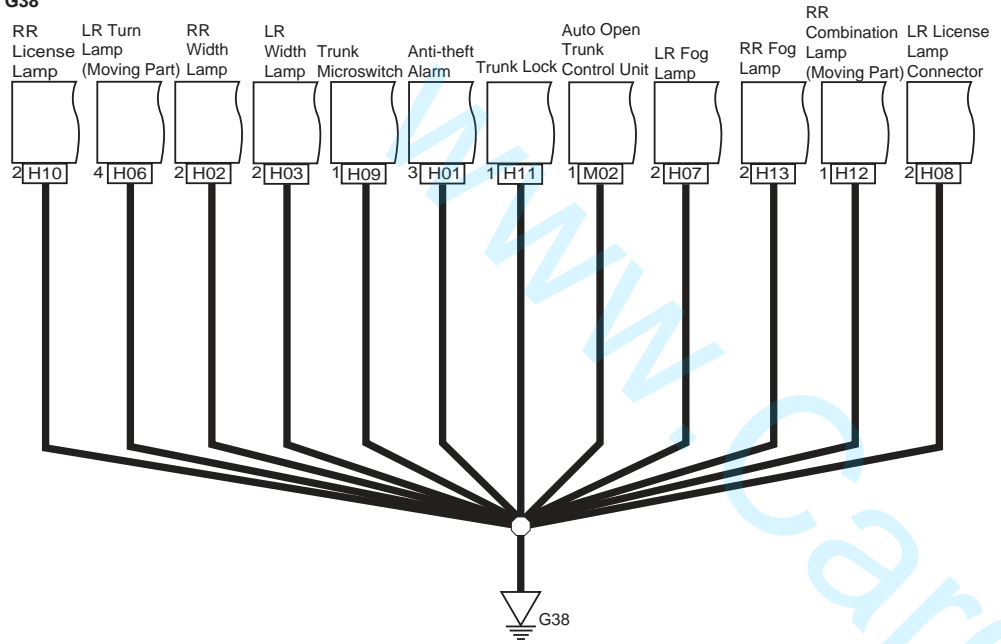
G37/G39



# Ground Distribution-G38

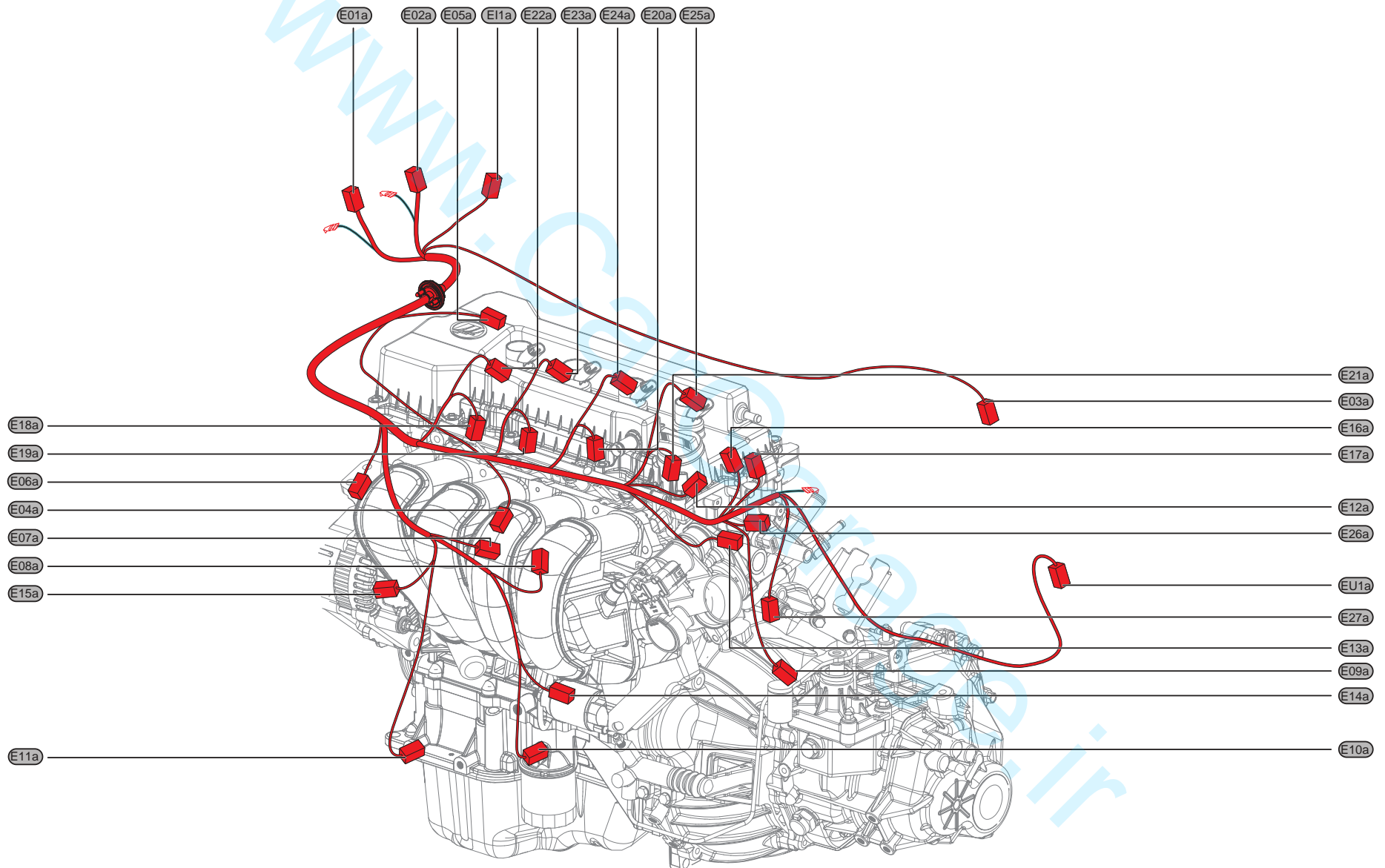
www.CarGarage.ir

G38



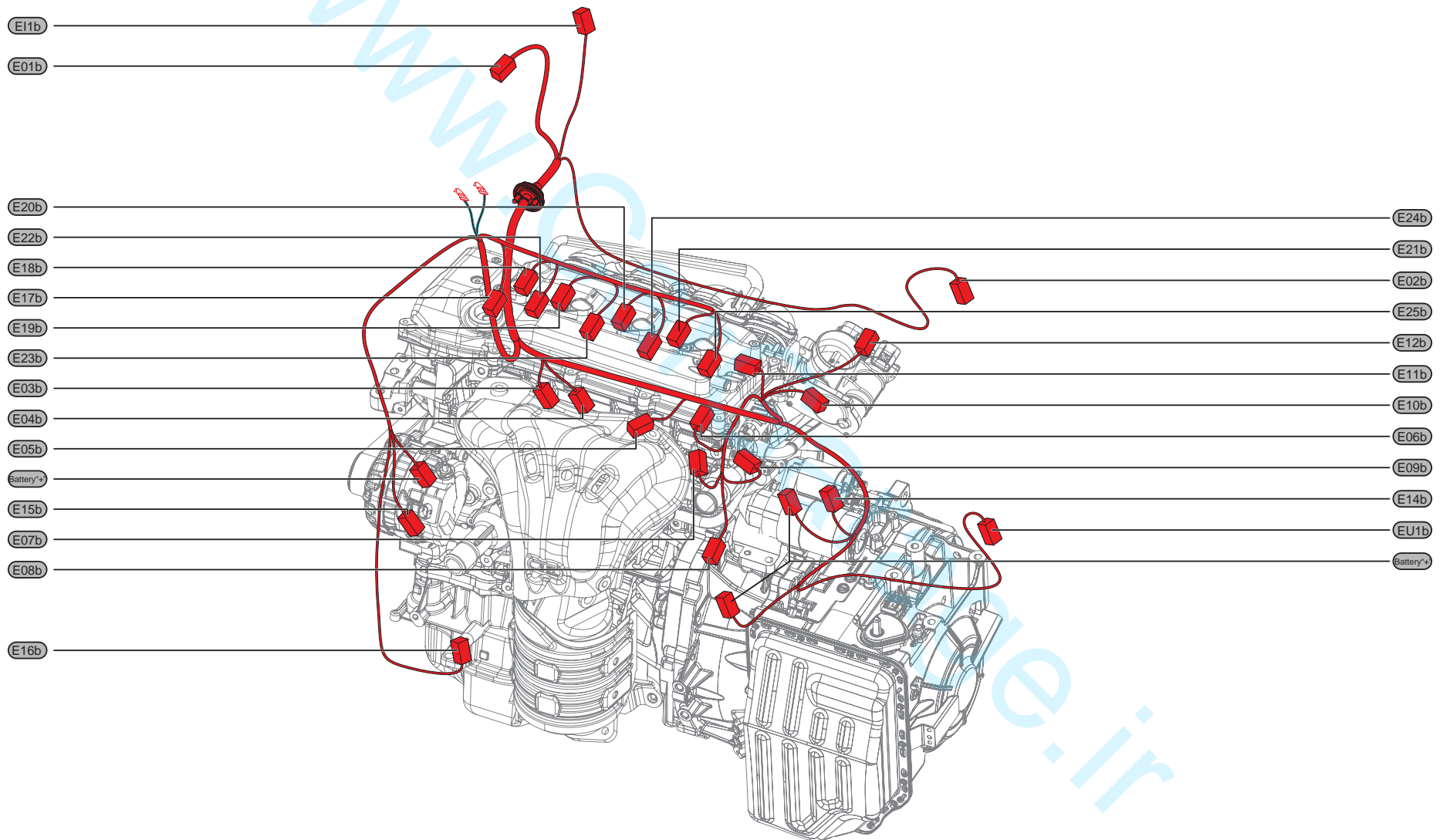
# Engine Harness Connector Location View-1.8VVT

www.100car.com

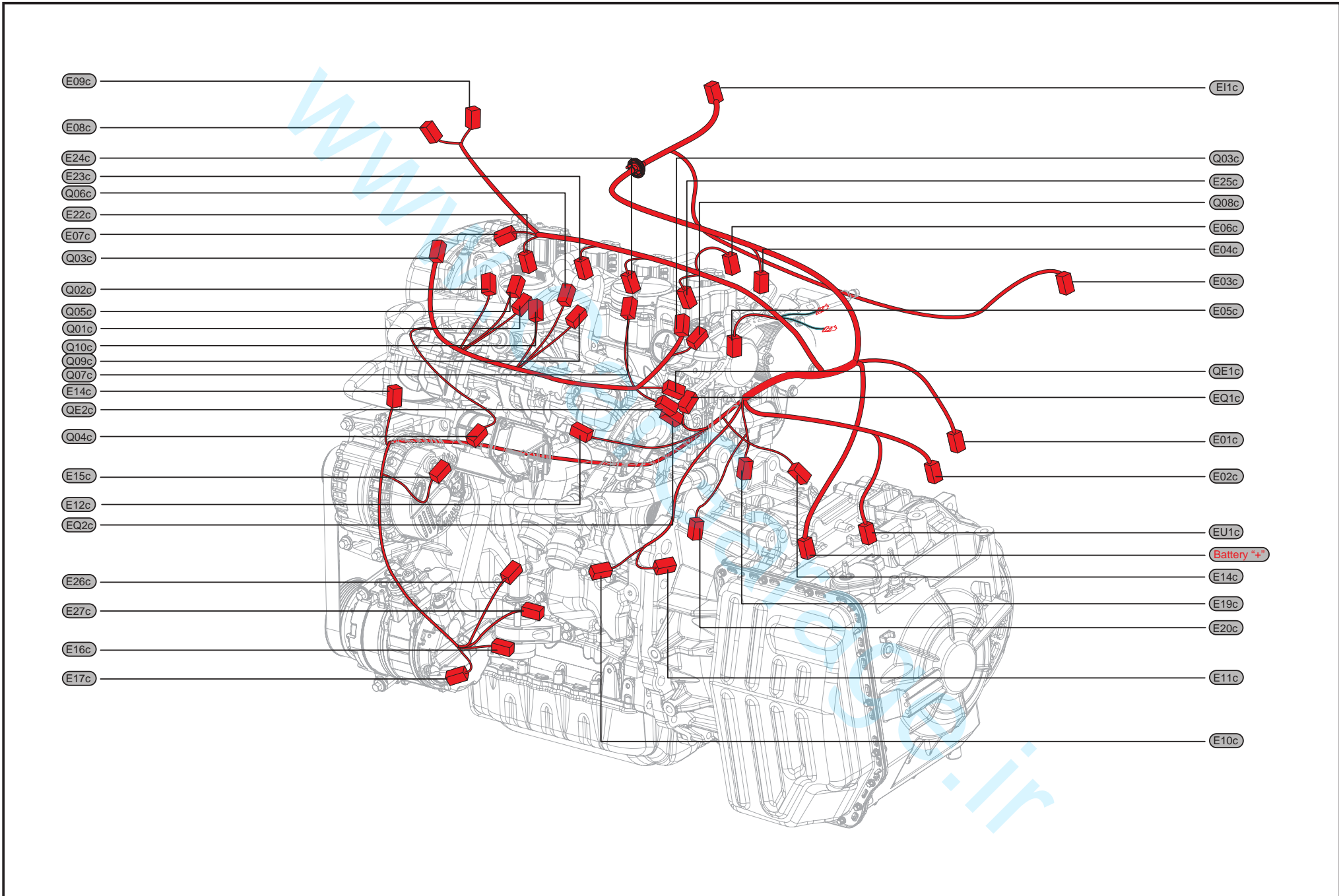


# Engine Harness Connector Location View-2.4VVT

www.1688.com

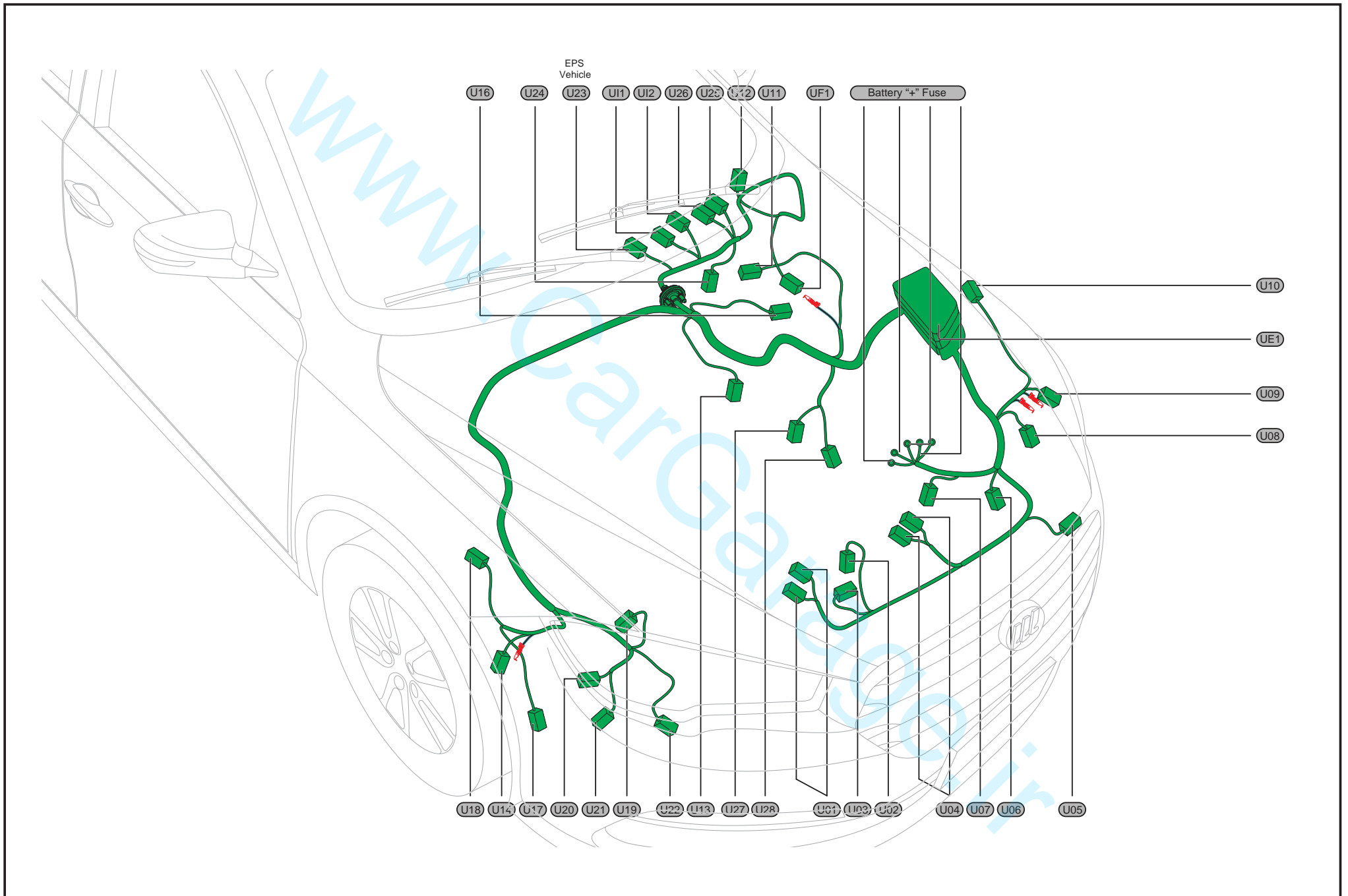


# Engine Harness Connector Location View-2.0T



# Engine Compartment Harness Connector Location View

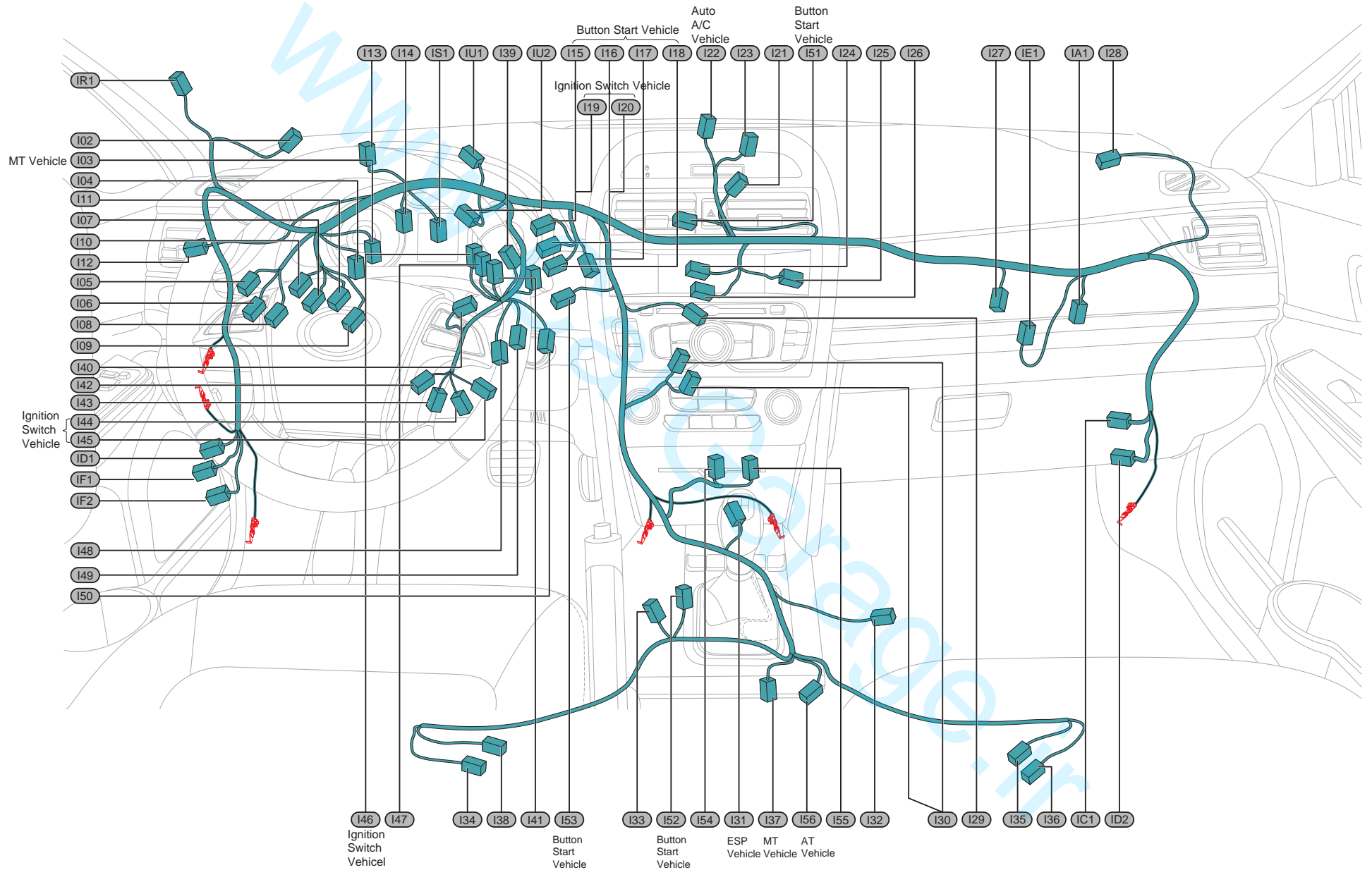
www.CarSage.in





# IP Harness Connector Location View

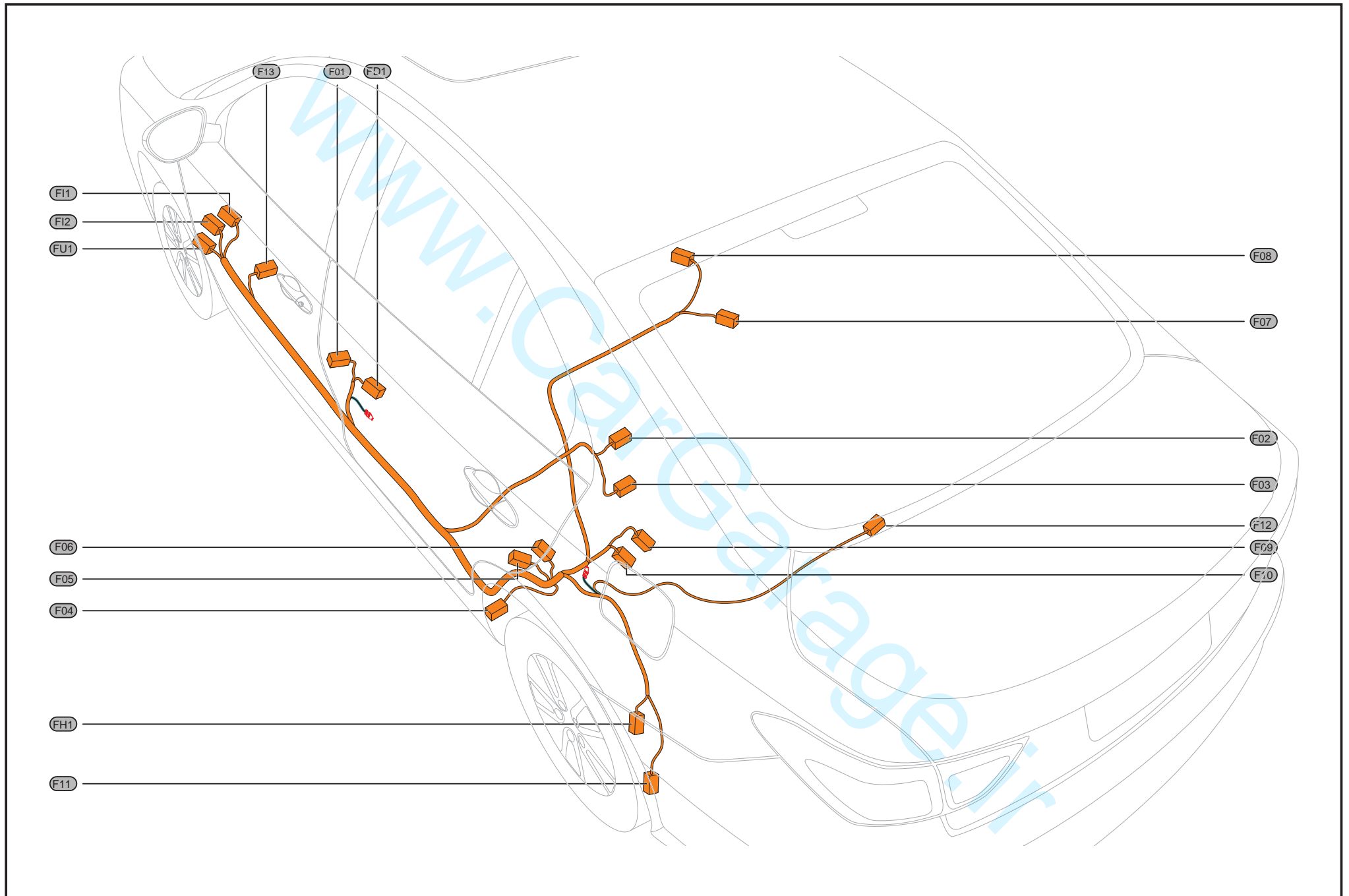
## IP Harness Connector Location View





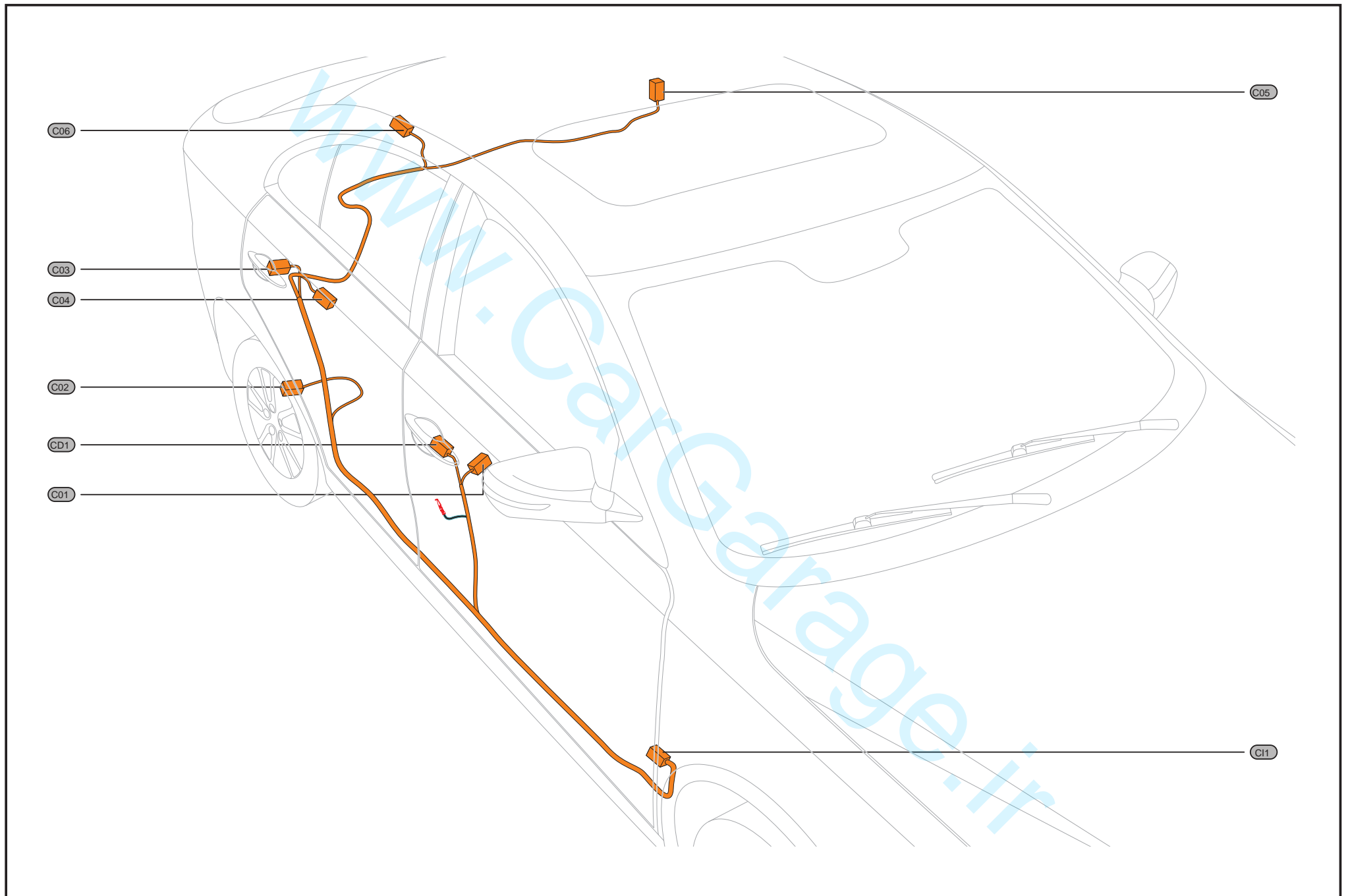
# Left Body Harness Connector Location View

www.52parts.com



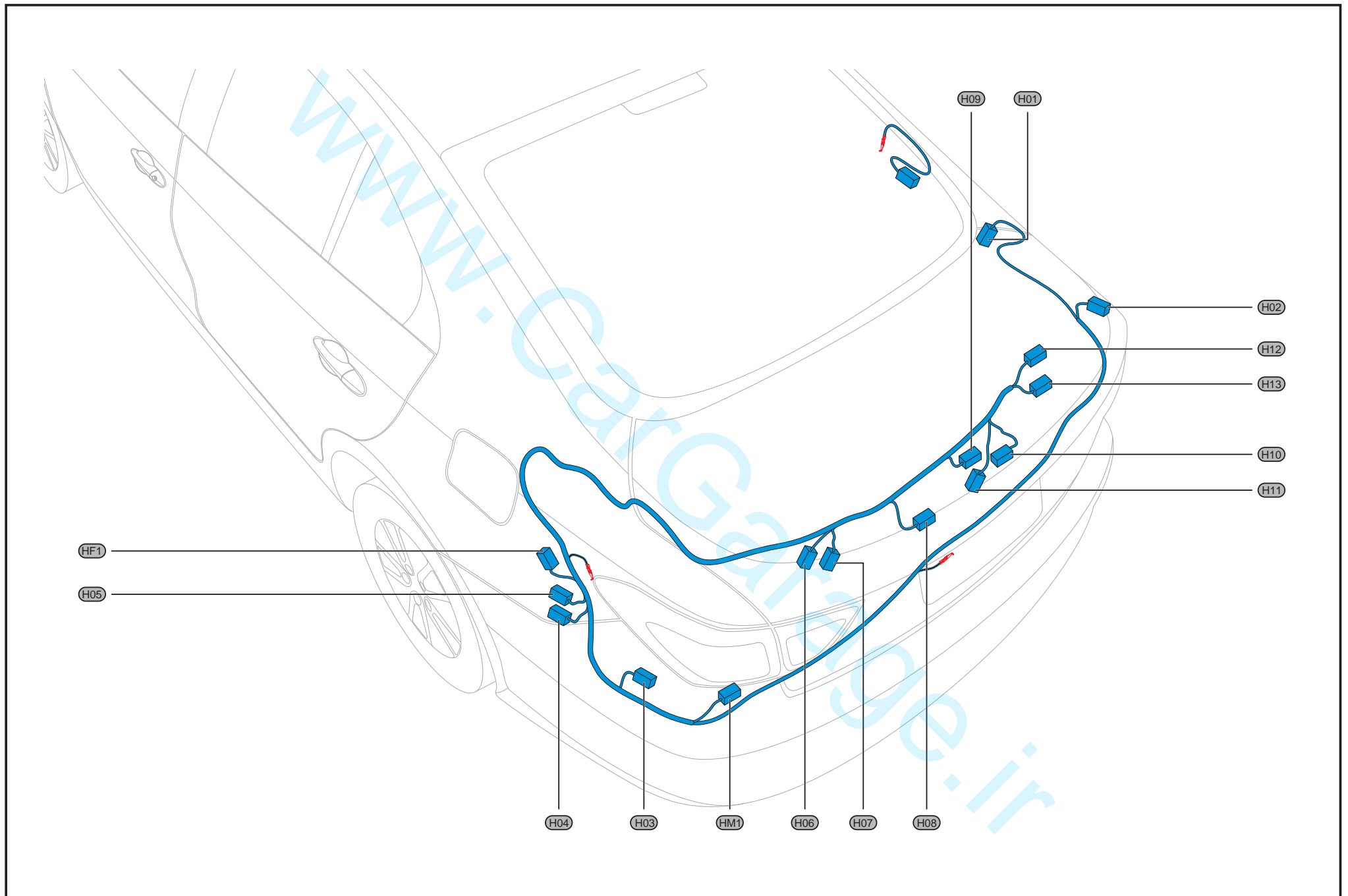
# Right Body Harness Connector Location View

www.CarGarage.ir



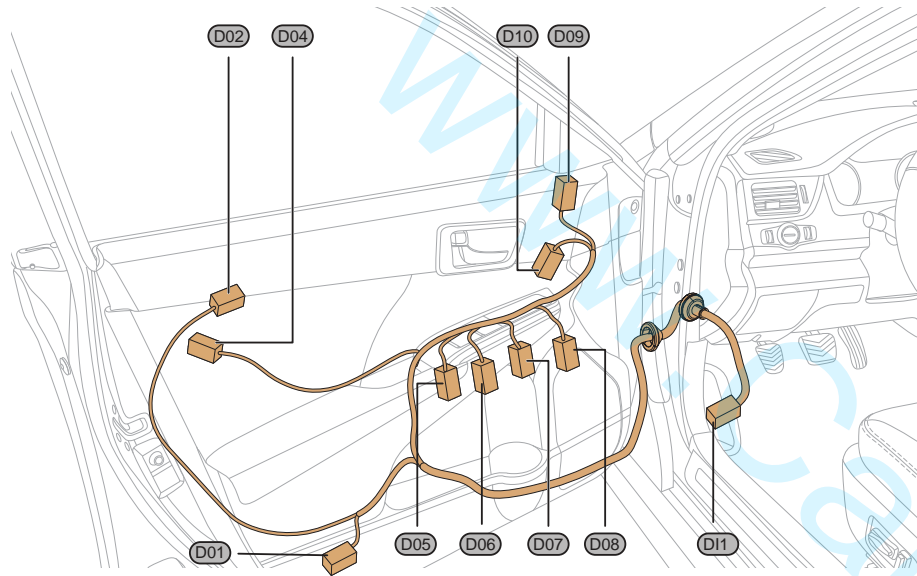
# Rear Body Harness Connector Location View

www.Cargya.com

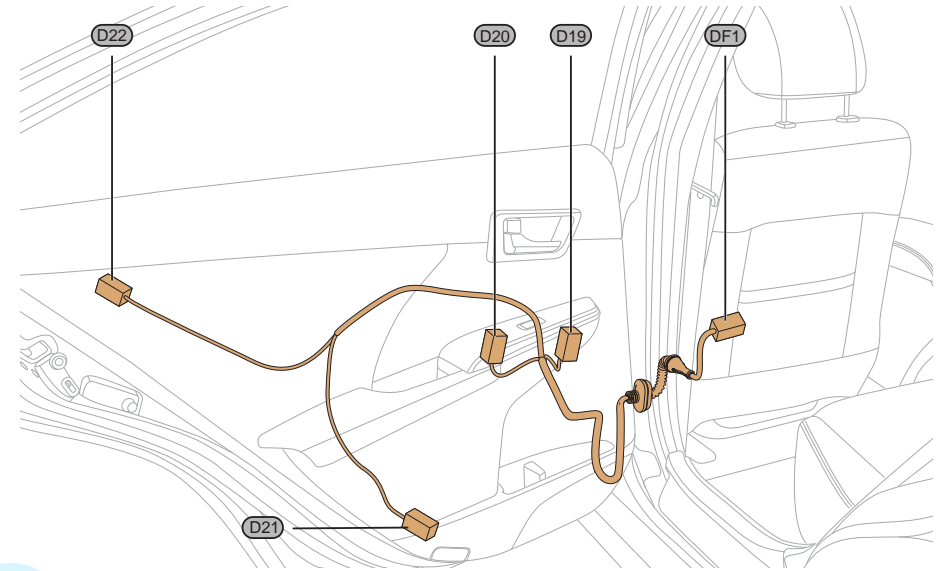


# Door Harness Connector Location View

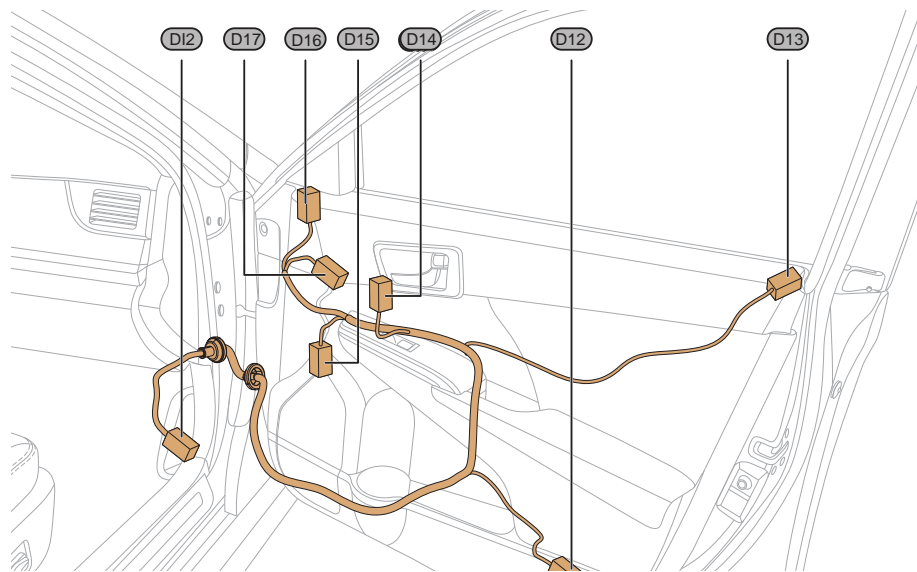
Left front door Hareness



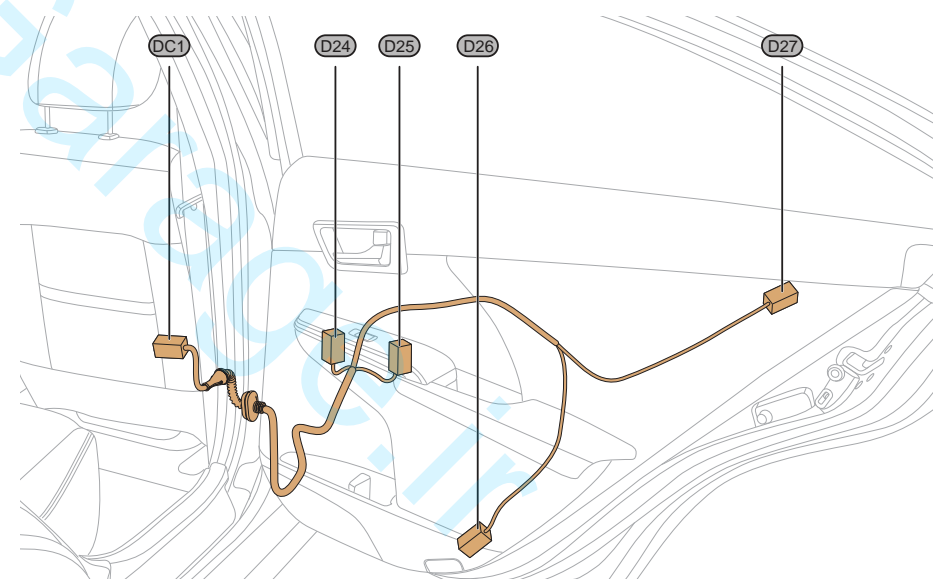
Left rear door Hareness



Right front door Hareness

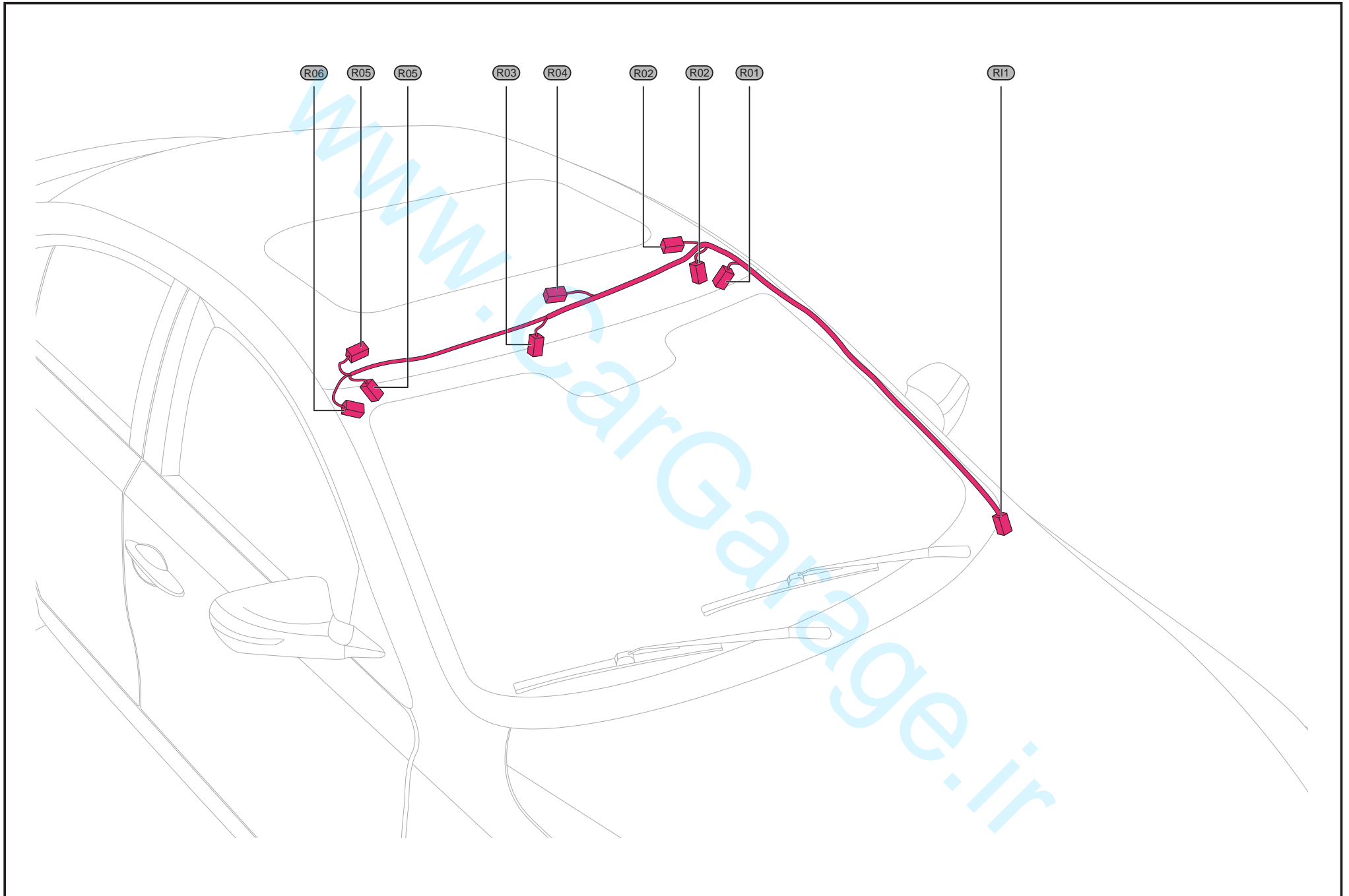


Right rear door Hareness



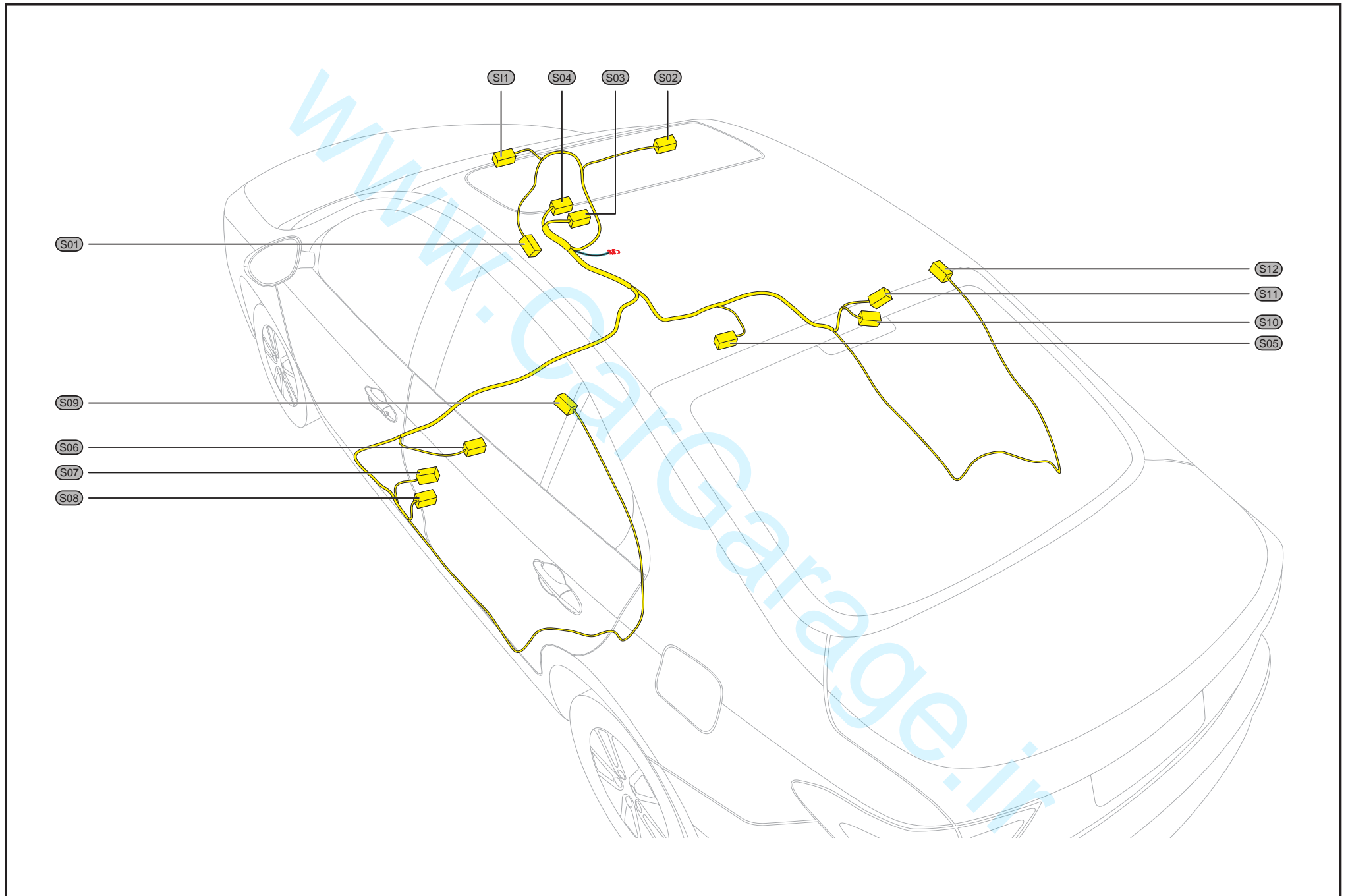
# Sunroof Harness Connector Location View

www.CarGadge.ir

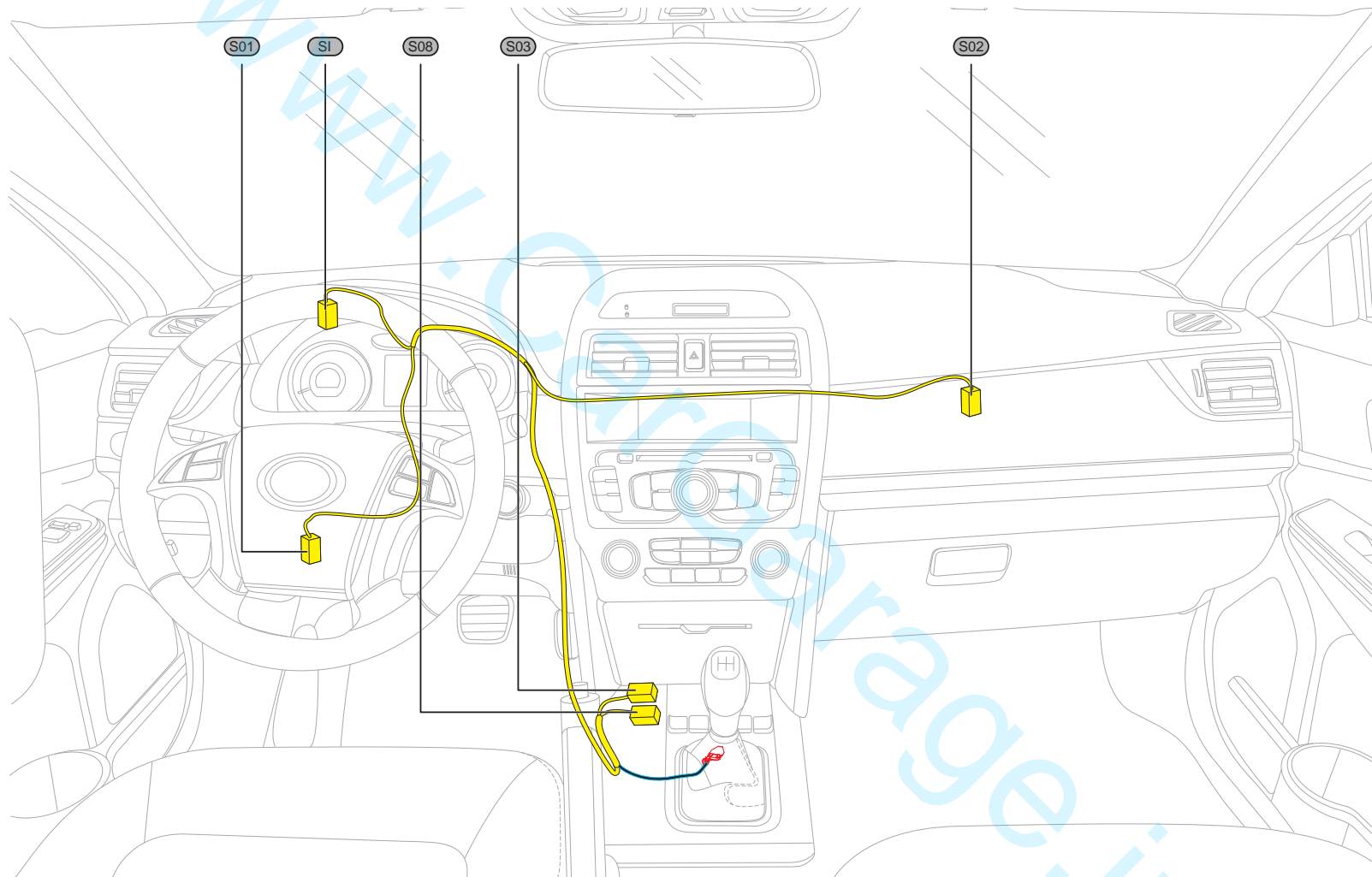


# Air Bag (8 Return Circuit) Harness Connector Location View

[www.CarGang.com](http://www.CarGang.com)



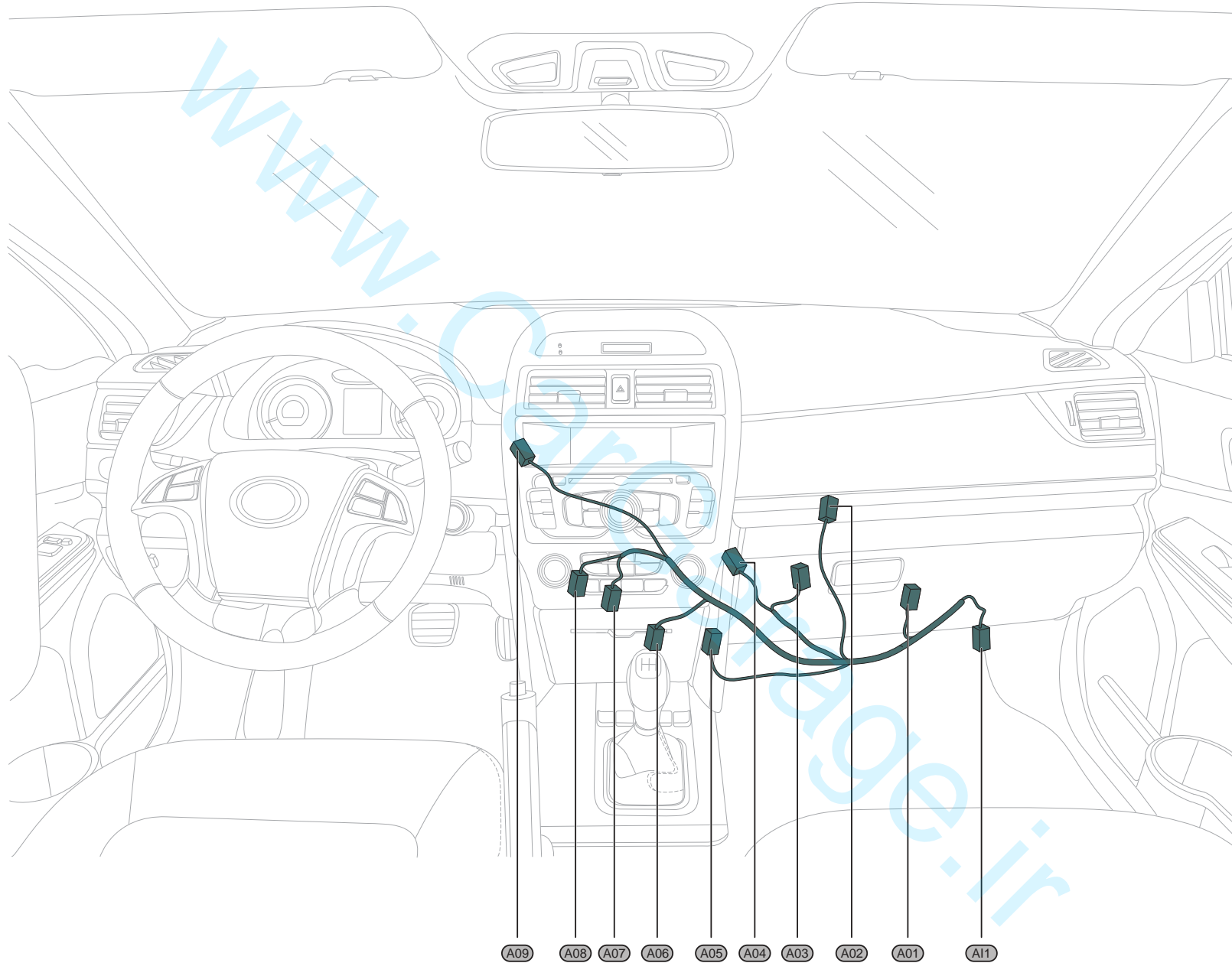
# Air Bag (2 Return Circuit) Harness Connector Location View





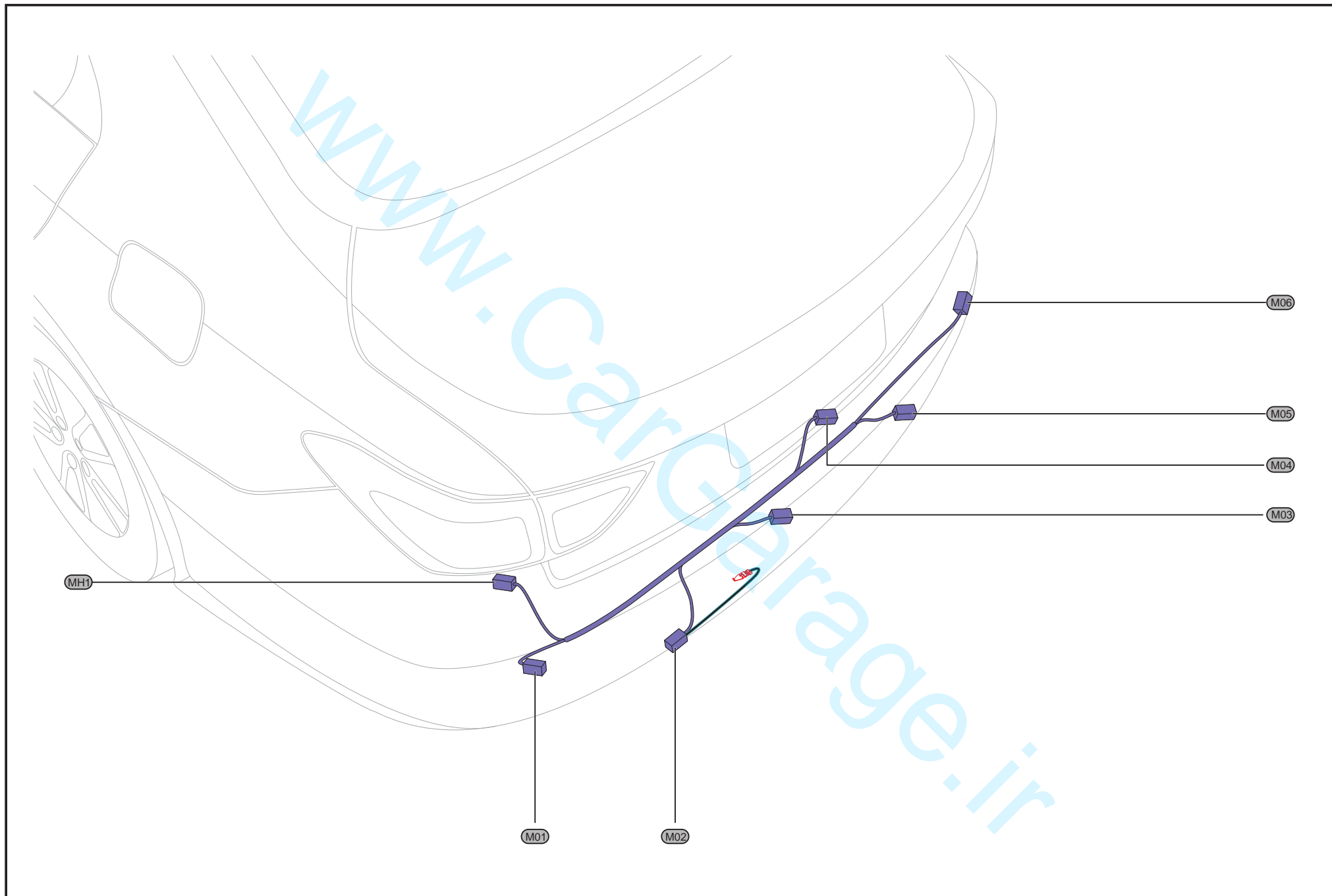
# AC Harness Connector Location View

www.CarsGuide.com



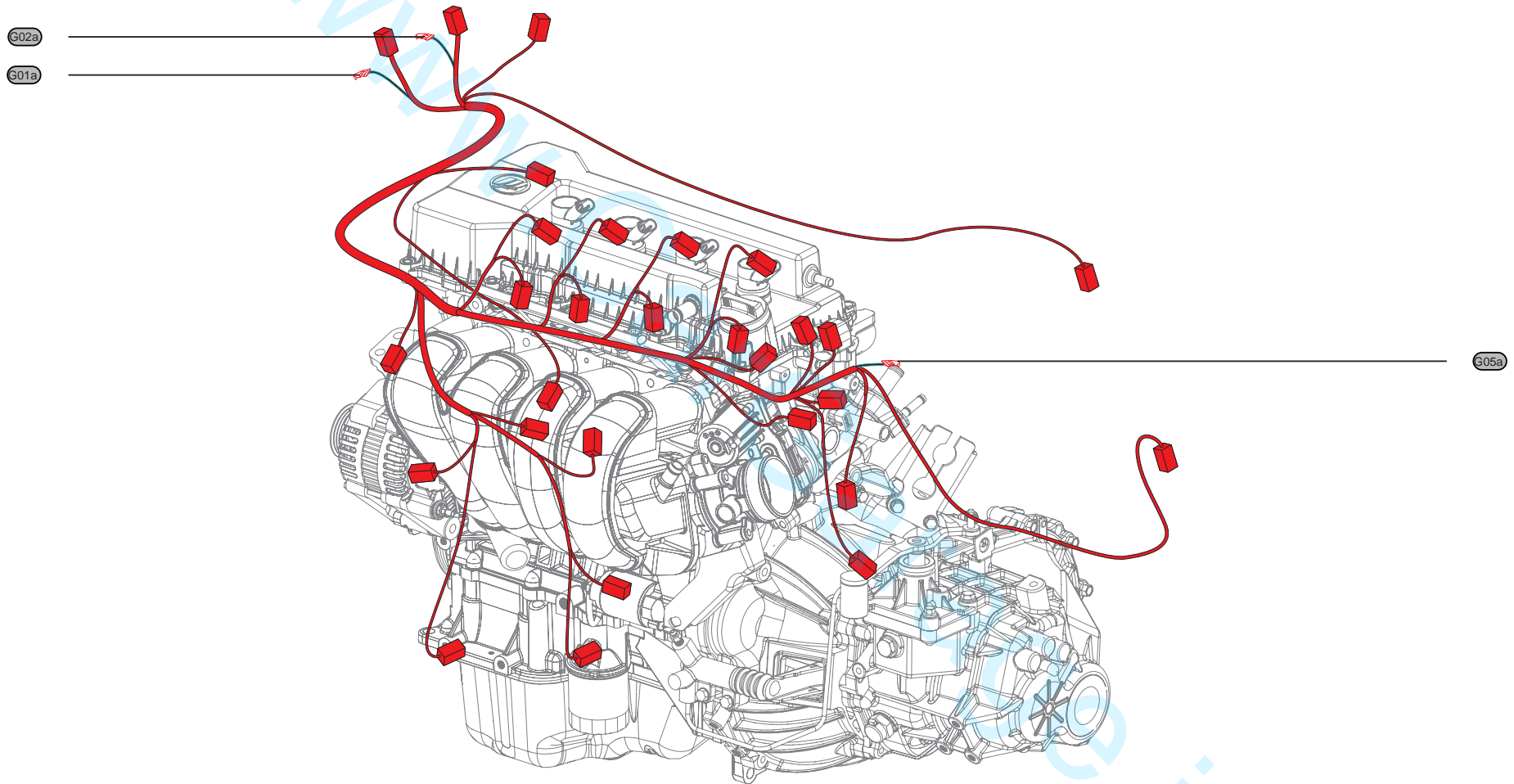


# Rear Bumper Harness Connector Location View

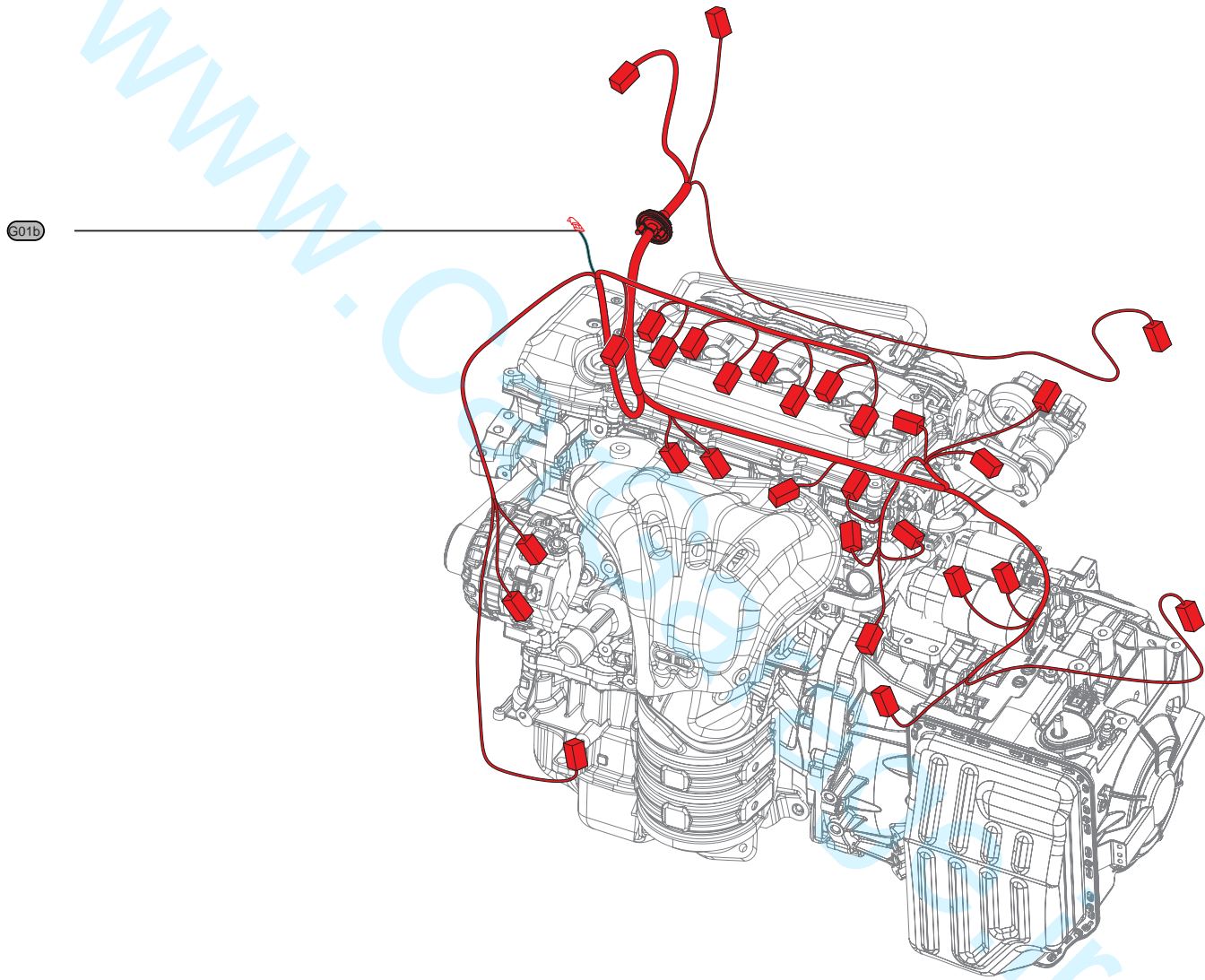


# Ground Point Location View G01a-G05a

www.CarSage.ir

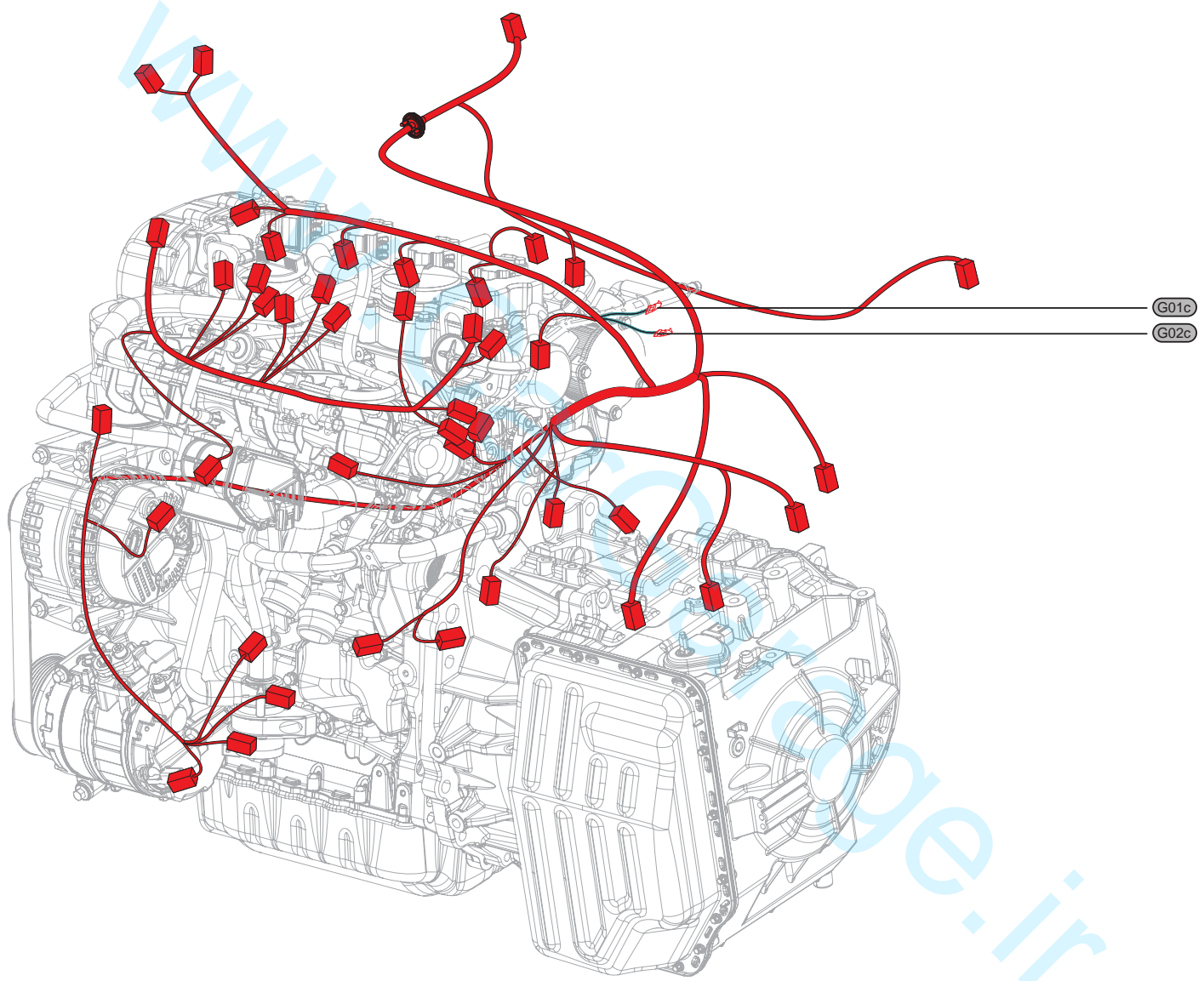


# Ground Point Location View-G01b

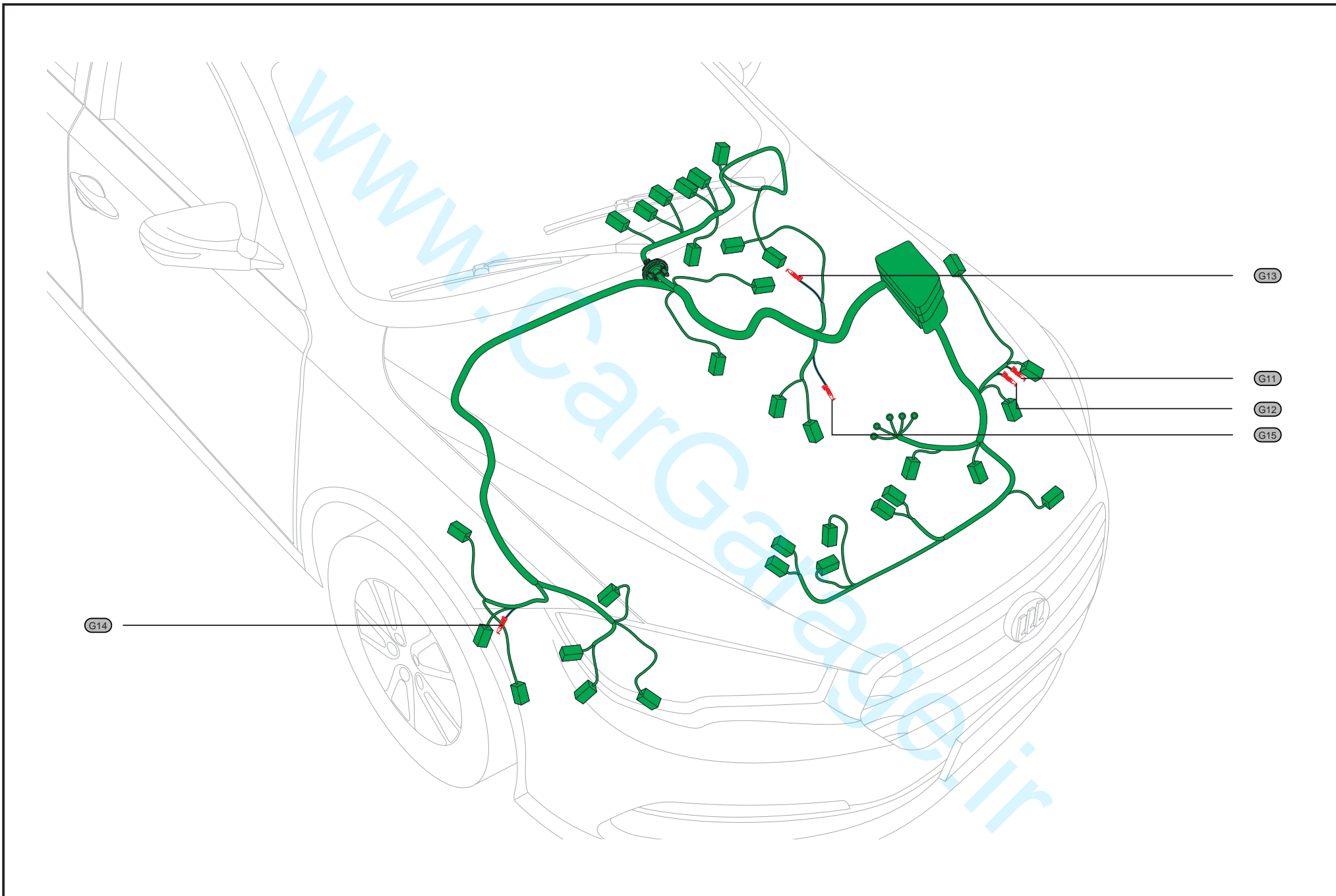


# Ground Point Location View-G01c-G02c

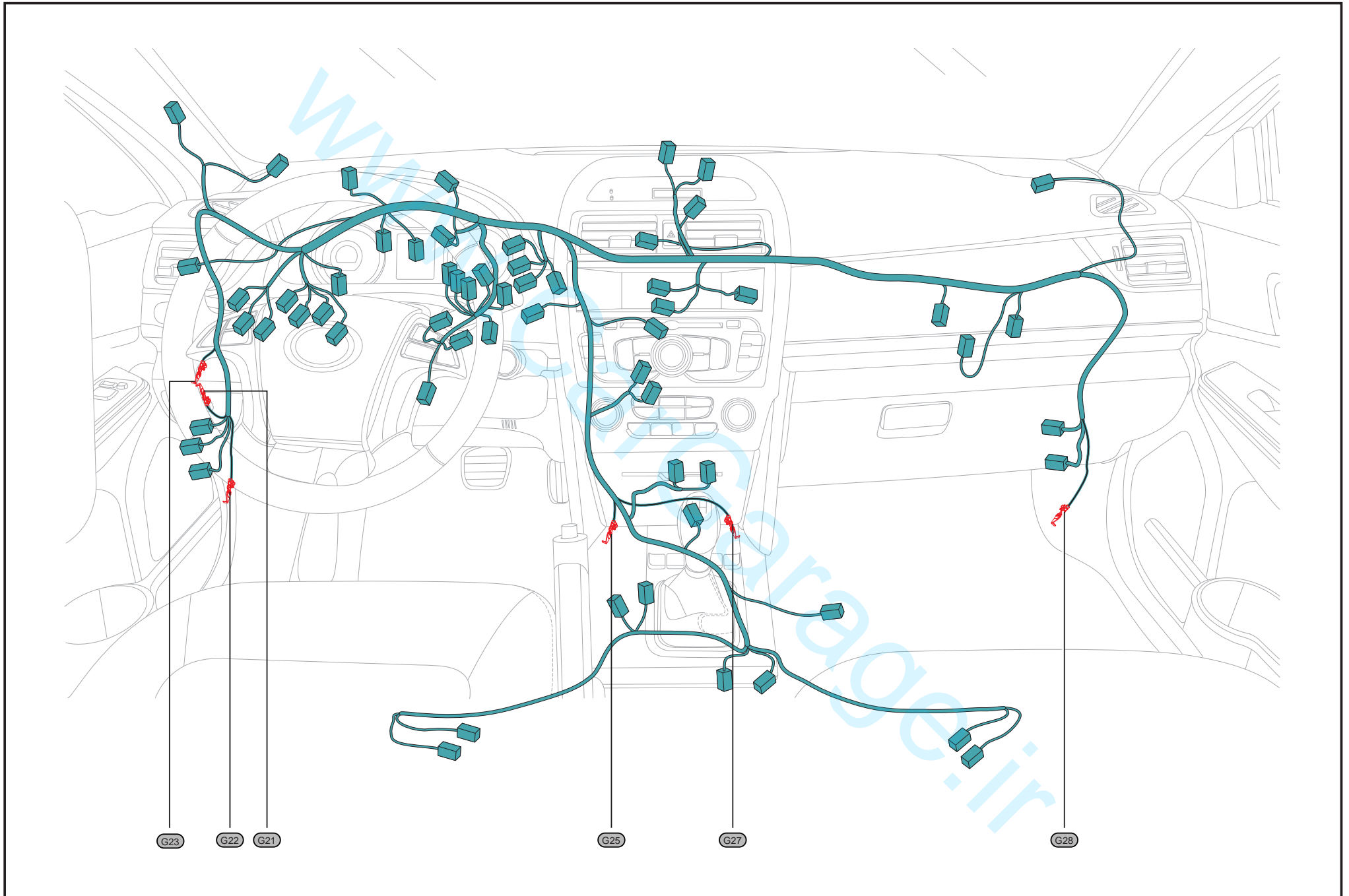
[www.cariraj.com](http://www.cariraj.com)



Ground Point Location View-G11-G12-G13-G14-G15

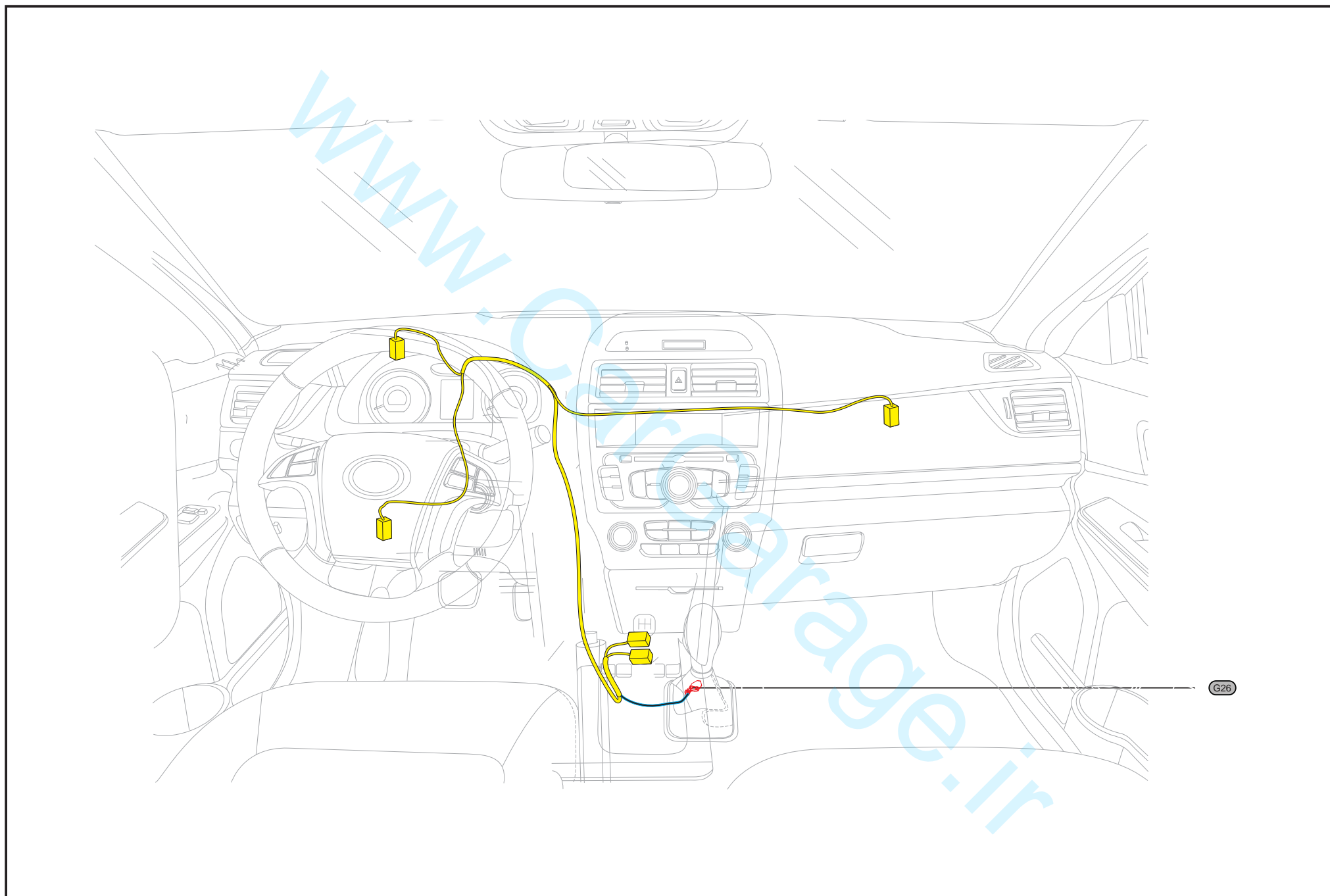


# Ground Point Location View G21-G23-G25-G27-G28



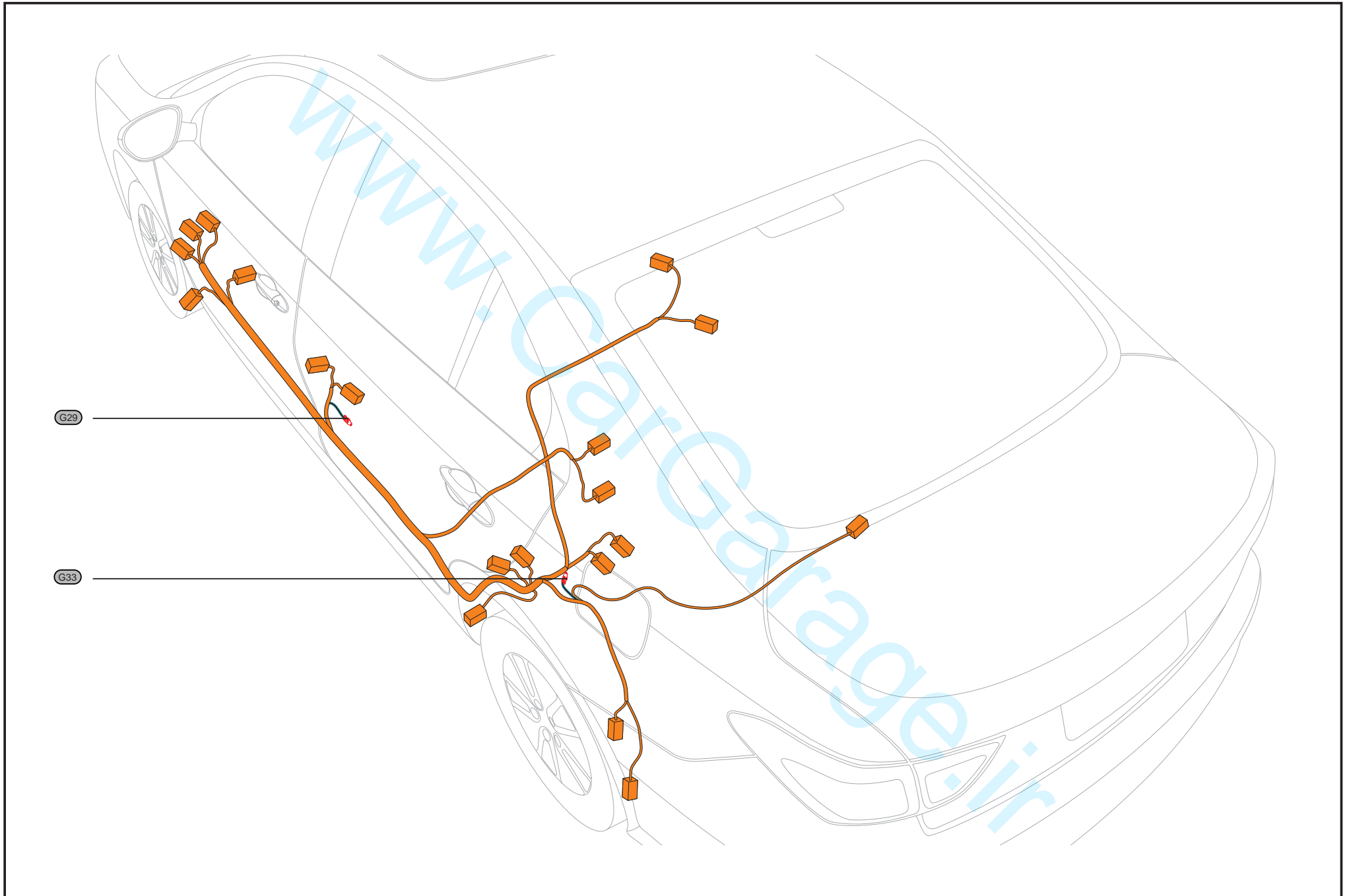


Ground Point Location View-G26



# Ground Point Location View-G29-G33

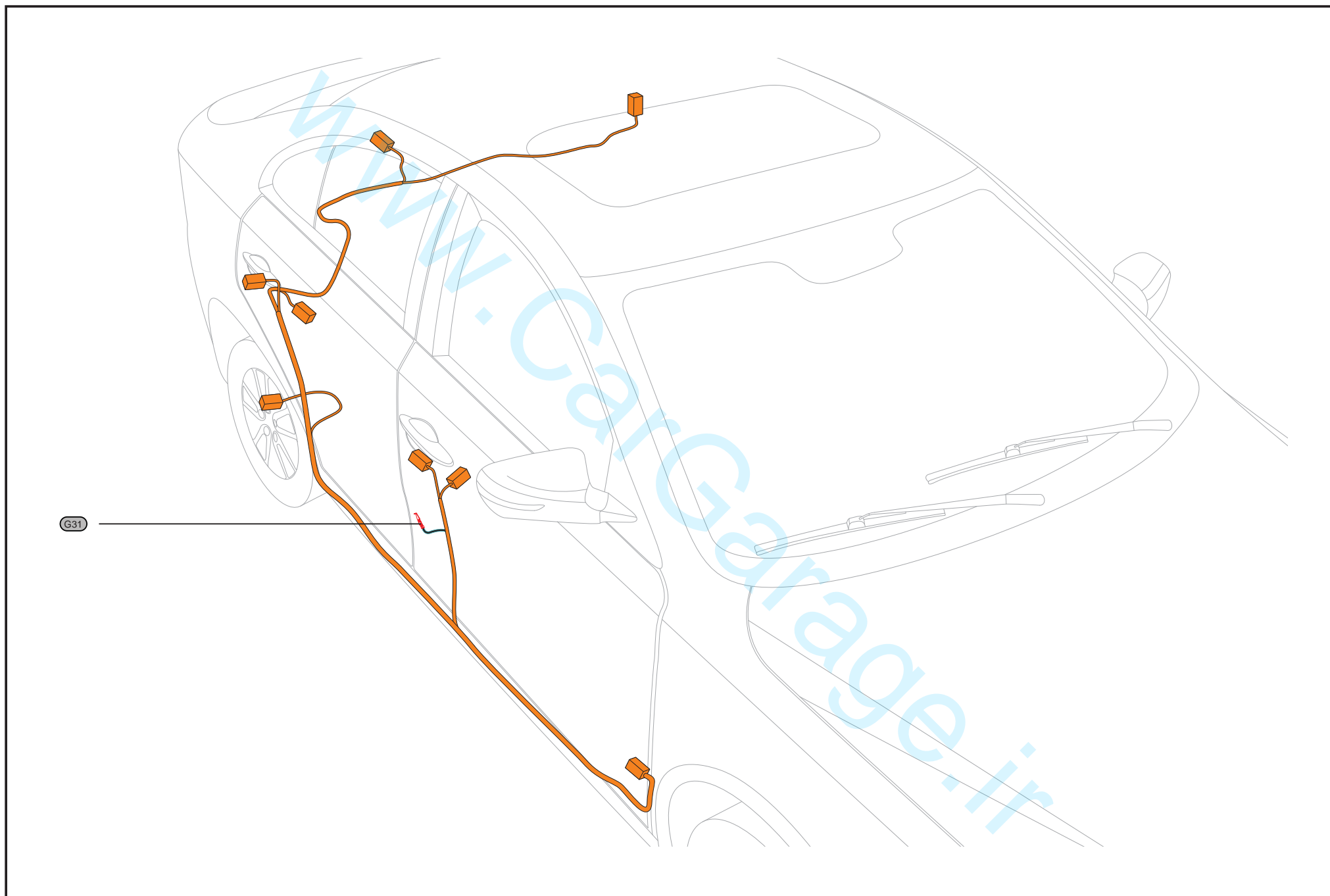
www.Calsonic.com





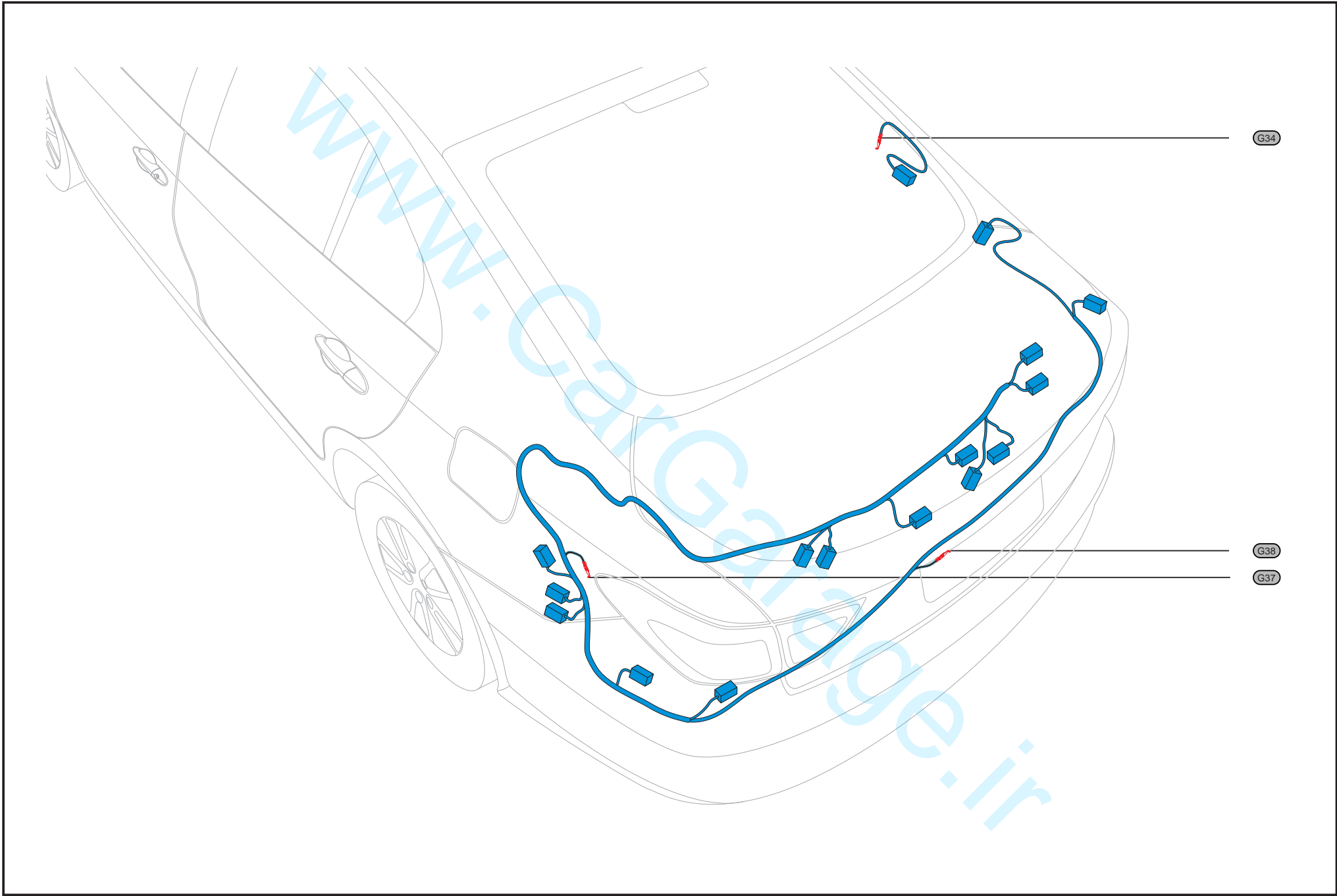
# Ground Point Location View-G31

www.carpage.ir

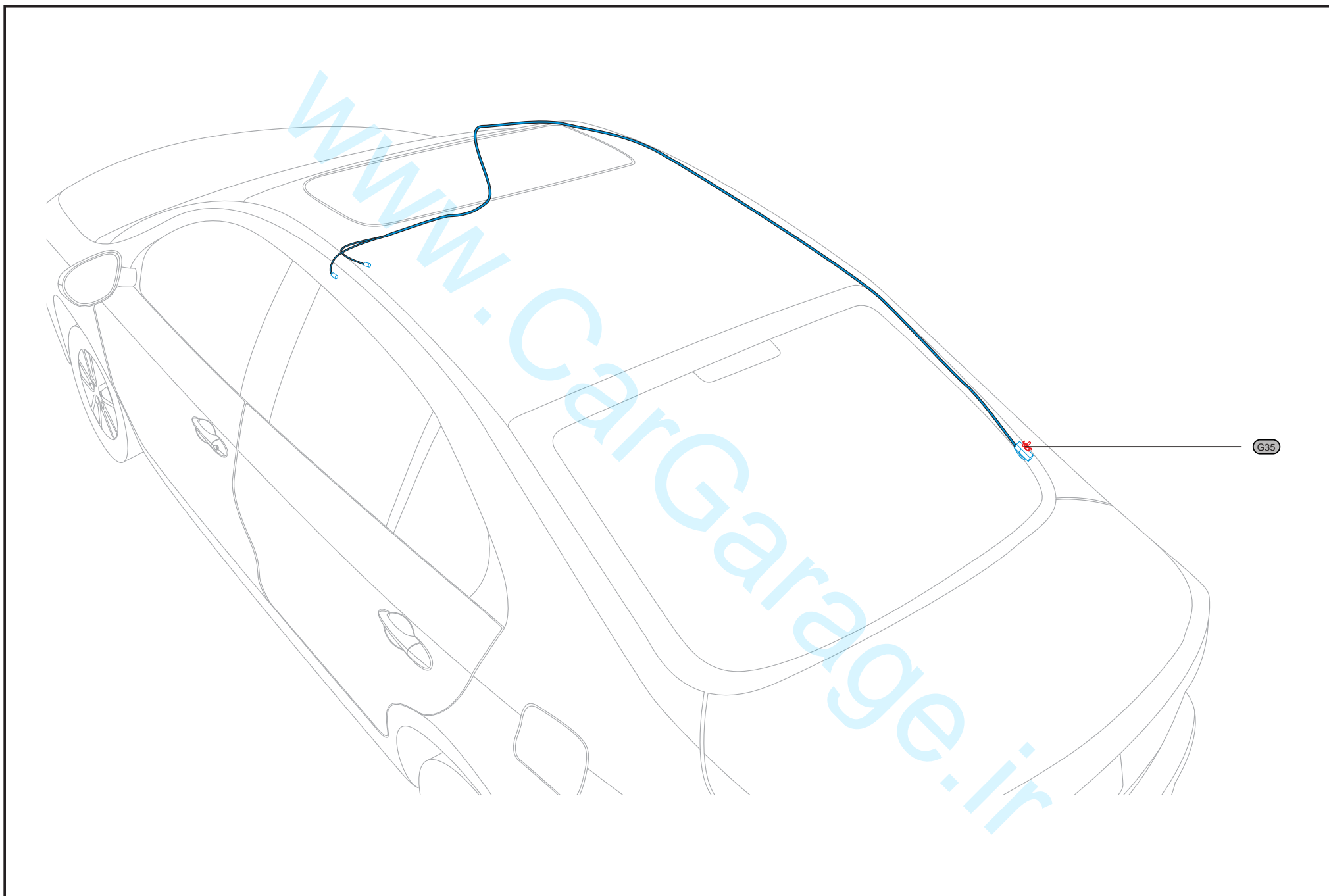


G31

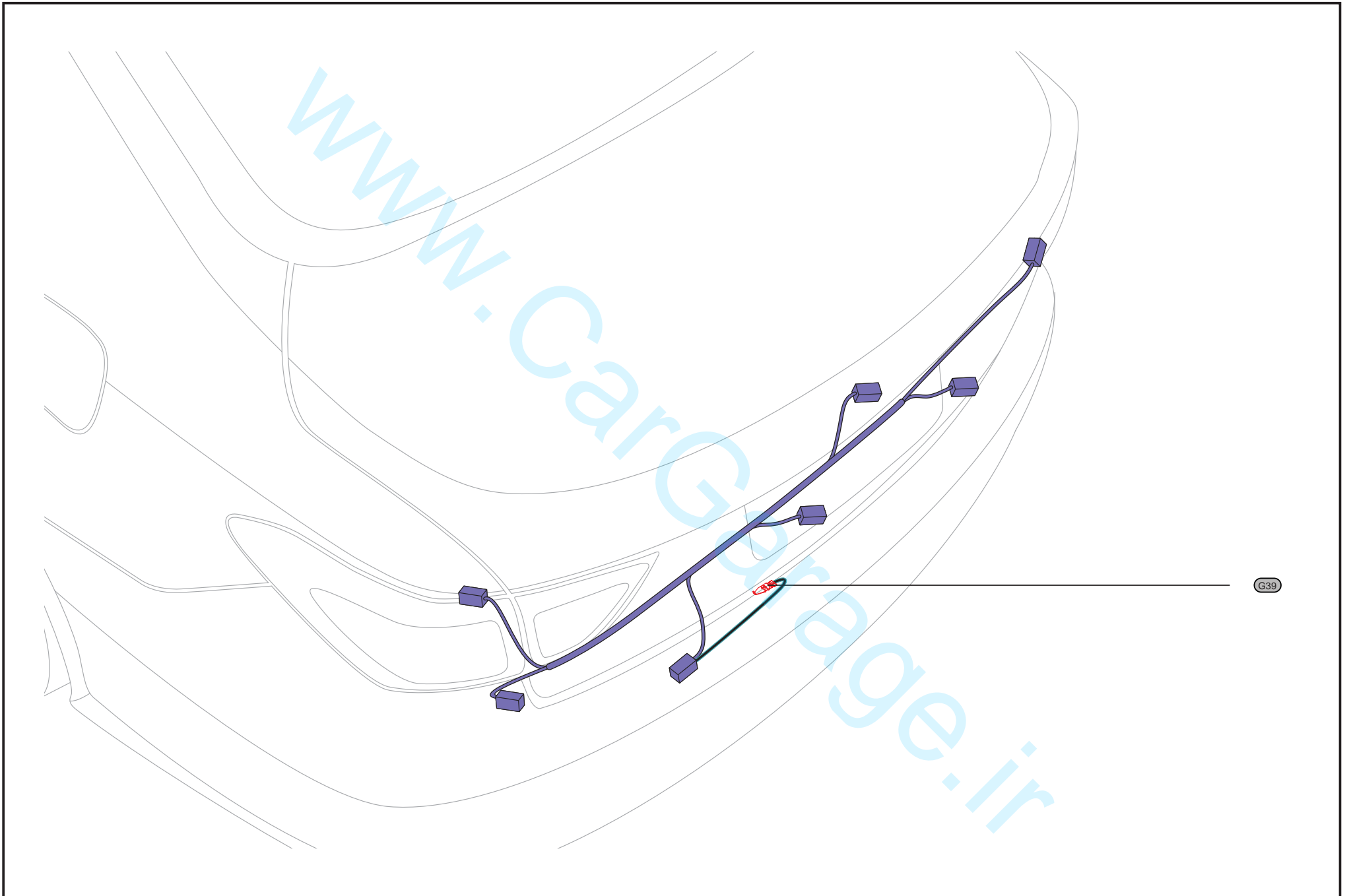
Ground Point Location View G34-G37-G38



Ground Point Location View-G35



Ground Point Location View-G39



# Harness Connector View

## Engine Harness Connector (E--)

### ECU-1 Connector

49										62	63	64
33										46	47	48
17										30	31	32
1										14	15	16

### E01a

#### E01a Pin Definition

Pin Number	Wire Width / Color	Function
1	0.50 R/W	PCAN-H
2		NC
3		NC
4		NC
5	0.50 Y	Main relay control signal
6	0.50 P/B	Clutch switch signal
7	0.50 Bl/W	APP ground
8		NC
9		NC
10		NC
11		NC
12		NC
13		NC
14		NC
15	1.25 Bl/R	Main relay power
16	1.25 Bl/R	Main relay power
17	0.50 B/W	PCAN-L
18		NC
19		NC
20	0.85 R	Battery power
21	0.50 Gr	Rear oxygen sensor signal
22	0.50 P	N gear switch signal
23	0.50 Gr/W	Brake switch signal(normally OFF)
24	0.50 G	A/C switch signal
25	0.50 Gr/R	Brake switch signal(normally ON)
26		NC
27		NC
28	0.50 R/G	A/C request signal
29	0.50 Bl/G	Power steering switch signal
30	0.50 Gr	APP signal 2
31	1.25 Gr/V	High speed fan control signal

## Engine Harness Connector (E--)

32	0.50 R/W	Anti-theft input
33		NC
34		NC
35	0.50 R/G	IG1 power
36	0.50 R/W	APP 5V power
37	0.50 O/Bl	APP 5V power
38		NC
39		NC
40		NC
41	0.50 Gr/Y	Fuel pump control
42		NC
43	0.50 Br/R	Rear oxygen sensor ground
44		NC
45	0.50 R/Y	APP signal 1
46		NC
47		NC
48	1.25 G/O	Rear oxygen sensor heating signal
49		NC
50		NC
51		NC
52		NC
53		NC
54		NC
55		NC
56	0.50 Gr/O	Low speed fan control signal
57		NC
58	0.50 Gr/B	A/C compressor clutch control signal
59	0.50 W/B	APP ground
60		NC
61		NC
62		NC
63	1.25 B	Ground
64	1.25 B	Ground

### ECU-2 Connector

101								110	111	112
89								98	99	100
77								86	87	88
65								74	75	76

### E02a

# Harness Connector View

## Engine Harness Connector (E--)

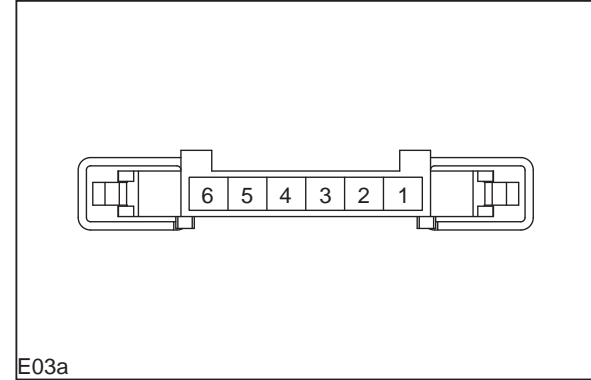
### E02a Pin Definition

Pin Number	Wire Width / Color	Function
65		NC
66		NC
67	0.50 Y/R	NO.2 cylinder injector control signal
68	0.50 O/B	NO.1 cylinder injector control signal
69		NC
70		NC
71	0.50 Y/W	Intake VVT valve control signal
72	0.50 P/Y	NO.3 cylinder injector control signal
73	0.50 B/R	Front oxygen sensor heating signal
74	0.50 G/Y	NO.4 cylinder injector control signal
75	0.85 P	TPS power +
76	1.25 Br	NO.4 cylinder ignition coil control signal
77	0.50 W/O	TPS signal 1
78	0.50 Bl/G	TPS signal 2
79		NC
80	0.50 Br/Y	Front oxygen sensor ground
81		NC
82		NC
83		NC
84		NC
85	0.50 Y/Bl	MAT/IAT ground
86	0.50 V	TPS ground
87	0.85 R/G	TPS power -
88	1.25 P/G	NO.2 cylinder ignition coil control signal
89	0.50 Bl/O	Knock sensor B
90	0.50 Bl/B	Knock sensor A
91	0.50 Bl	MAP signal
92		NC
93	0.50 R/Bl	CMP signal
94	0.50 W/G	Canister solenoid valve control signal
95	0.50 Bl/W	CMP ground
96	0.50 G	CKP signal A
97	0.50 Bl	CKP signal B
98	0.50 Y/G	CMP 5V power
99	1.25 Bl/W	NO.3 cylinder ignition coil control signal
100	1.25 Bl/W	NO.1 cylinder ignition coil control signal
101	0.50 Y/B	Coolant temperature sensor signal
102	0.85 Y/R	IAT signal
103		NC
104	0.50 O/Y	Front oxygen sensor signal
105		NC
106		NC
107	0.50 R/B	TPS 5V power
108		NC
109	0.50 P/B	MAP 5V power

## Engine Harness Connector (E--)

110		NC
111	1.25 B	Ground
112	1.25 B	Ground

### Accelerator Pedal Position Sensor Connector



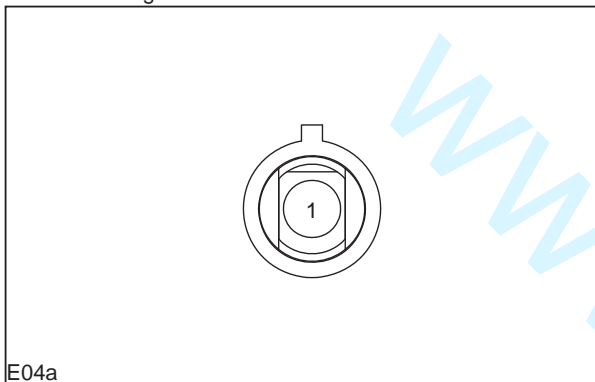
E03a

### E03a Pin Definition

Pin Number	Wire Width / Color	Function
1	0.50 Gr	APP sensor 2 signal
2	0.50 W/B	APP sensor 2 ground
3	0.50 R/Y	APP sensor 1 signal
4	0.50 Bl/W	APP sensor 1 ground
5	0.50 O/Bl	APP sensor 1 power
6	0.50 R/W	APP sensor 2 power

# Harness Connector View

Engine Harness Connector (E--)  
Power Steering Switch Connector

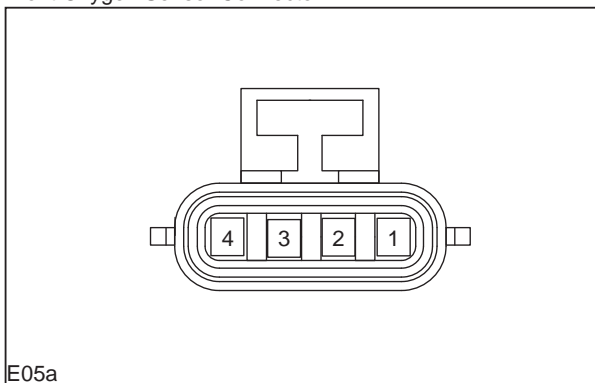


E04a

E04a Pin Definition

Pin Number	Wire Width / Color	Function
1	0.50 BI/G	Signal

Front Oxygen Sensor Connector

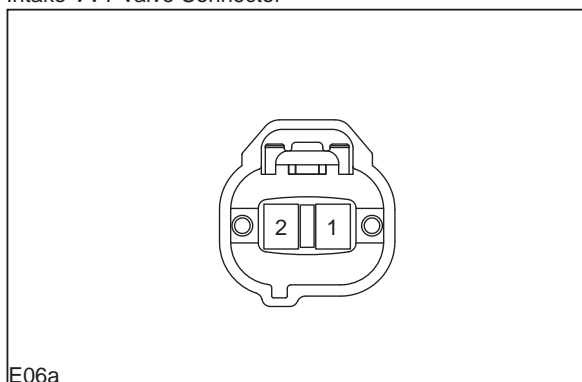


E05a

E05a Pin Definition

Pin Number	Wire Width / Color	Function
1	0.85 BI/Y	Power
2	0.50 B/R	Heating signal
3	0.50 O/Y	Signal
4	0.50 Br/Y	Ground

Engine Harness Connector (E--)  
Intake VVT Valve Connector

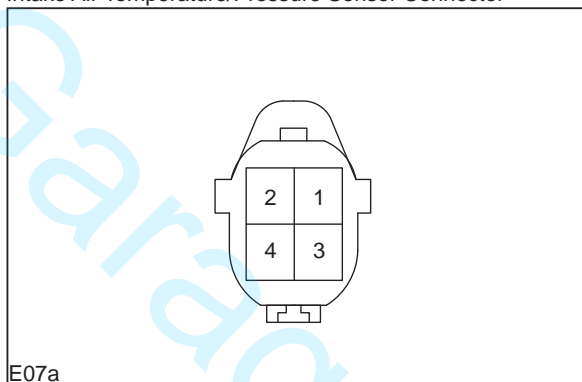


E06a

E06a Pin Definition

Pin Number	Wire Width / Color	Function
1	0.85 BI/R	Power
2	0.50 Y/W	Signal

Intake Air Temperature/Pressure Sensor Connector



E07a

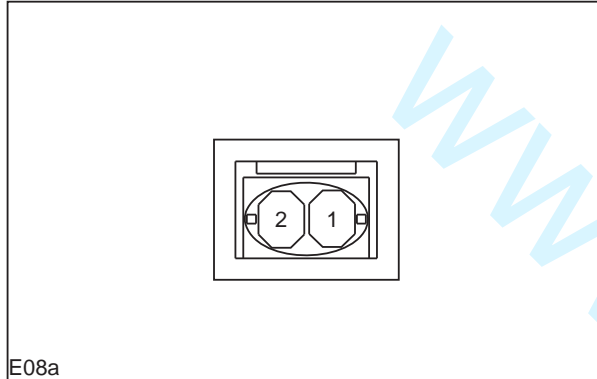
E07a Pin Definition

Pin Number	Wire Width / Color	Function
1	0.50 BI	Pressure signal
2	0.50 P/B	5V power
3	0.85 Y/R	Temperature signal
4	0.50 Y/BI	Signal ground

# Harness Connector View

Engine Harness Connector (E--)

Knock Sensor Connector

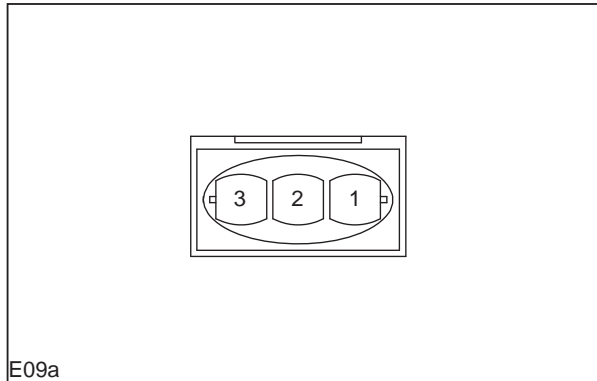


E08a

E08a Pin Definition

Pin Number	Wire Width / Color	Function
1	0.50 Bl/B	KS signal A
2	0.50 Bl/O	KS signal B

Crankshaft Position Sensor Connector



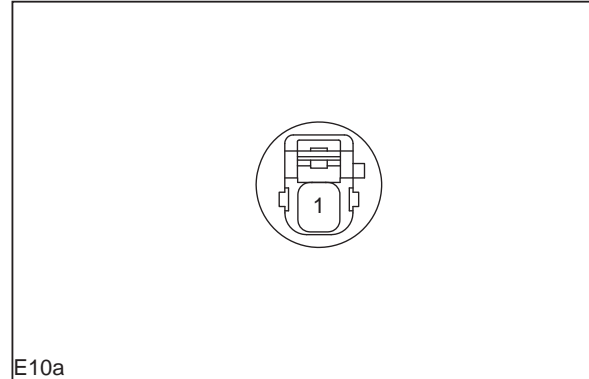
E09a

E09a Pin Definition

Pin Number	Wire Width / Color	Function
1	0.50 B	Ground
2	0.50 Bl	CKP signal B
3	0.50 G	CKP signal A

Engine Harness Connector (E--)

Oil Pressure Switch Connector

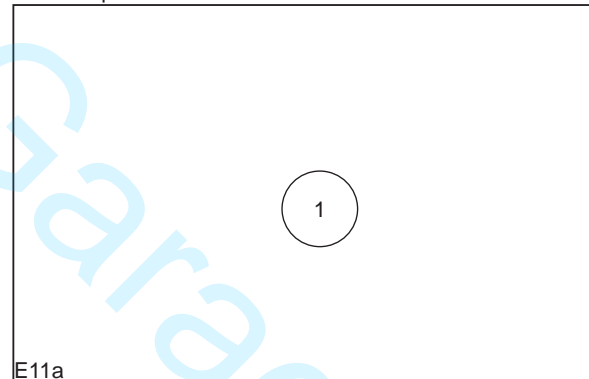


E10a

E10a Pin Definition

Pin Number	Wire Width / Color	Function
1	0.50 Y/B	Signal

A/C Compressor Switch Connector



E11a

E11a Pin Definition

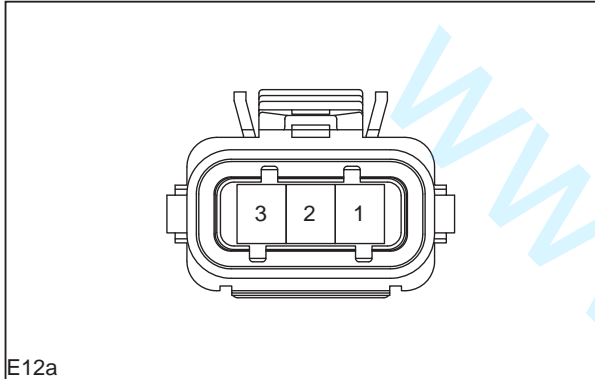
Pin Number	Wire Width / Color	Function
1	0.85 R/V	Signal



# Harness Connector View

## Engine Harness Connector (E--)

### Camshaft Position Sensor Connector

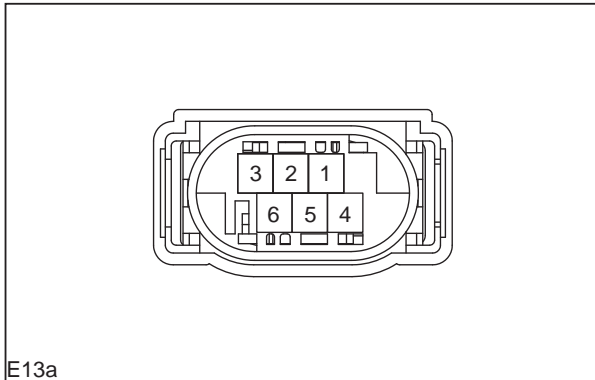


E12a

#### E12a Pin Definition

Pin Number	Wire Width / Color	Function
1	0.50 Y/G	5V power
2	0.50 R/BI	Signal
3	0.50 BI/W	Ground

### Throttle Position Sensor Connector



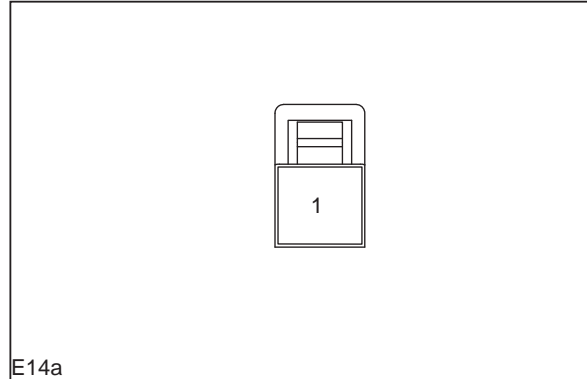
E13a

#### E13a Pin Definition

Pin Number	Wire Width / Color	Function
1	0.85 P	Power +
2	0.50 BI/G	TPS signal 2
3	0.50 W/O	TPS signal 1
4	0.85 R/G	Power -
5	0.50 V	Ground
6	0.50 R/B	5V power

## Engine Harness Connector (E--)

### Stator Connector

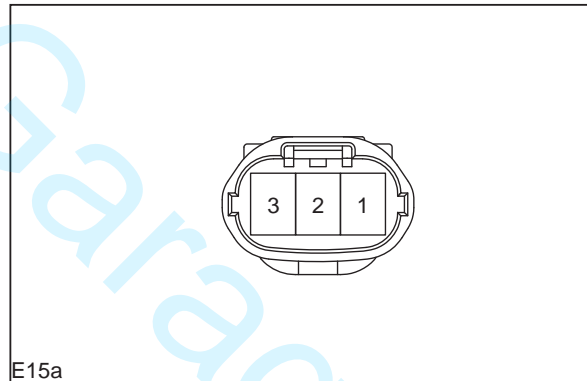


E14a

#### E14a Pin Definition

Pin Number	Wire Width / Color	Function
1	2.00 B/Y	Power

### Alternator Connector



E15a

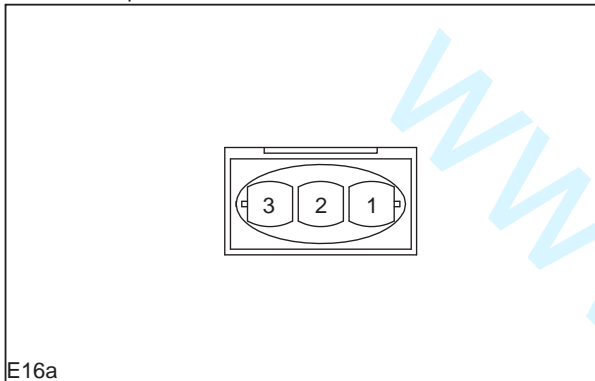
#### E15a Pin Definition

Pin Number	Wire Width / Color	Function
1	0.85 R	Alternator power output
2	0.85 B/W	Power
3	0.50 W/R	Charging indicator signal

# Harness Connector View

Engine Harness Connector (E--)

Coolant Temperature Sensor Connector

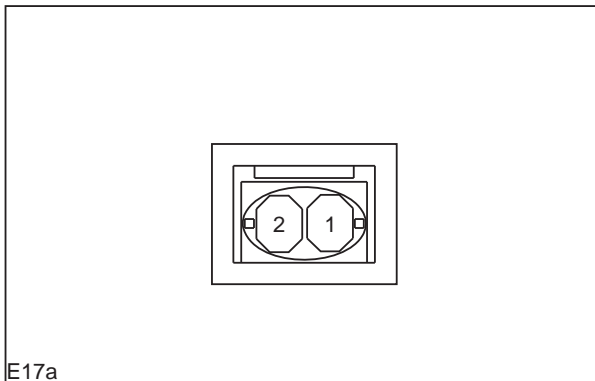


E16a

E16a Pin Definition

Pin Number	Wire Width / Color	Function
1	0.50 Y/B	Signal
2		NC
3	0.50 Y/R	Ground

Canister Solenoid Valve Connector



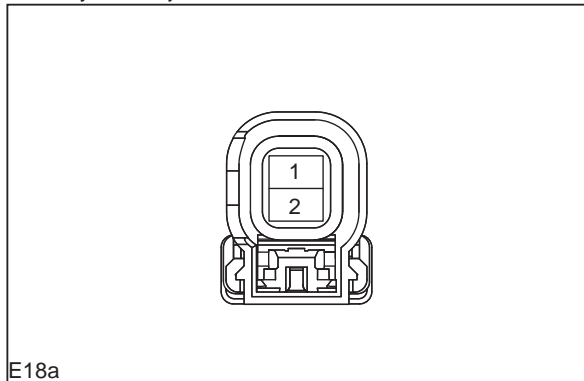
E17a

E17a Pin Definition

Pin Number	Wire Width / Color	Function
1	0.50 W/G	Signal
2	0.85 B/R	Power

Engine Harness Connector (E--)

NO.1 Cylinder Injector Connector

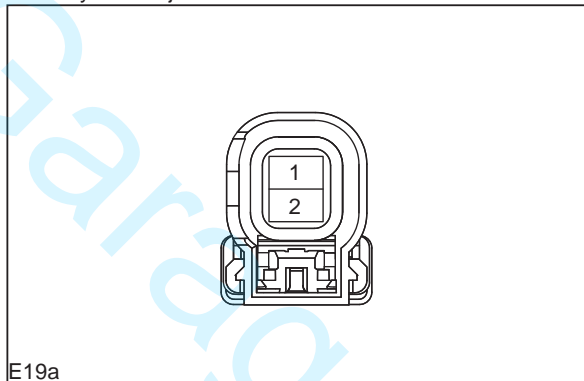


E18a

E18a Pin Definition

Pin Number	Wire Width / Color	Function
1	0.85 B/R	Power
2	0.50 O/B	Signal

NO.2 Cylinder Injector Connector



E19a

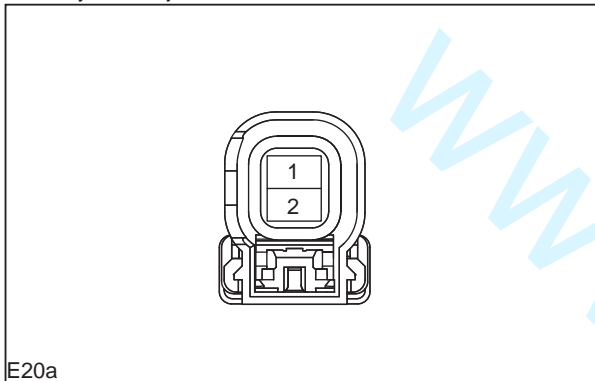
E19a Pin Definition

Pin Number	Wire Width / Color	Function
1	0.85 B/R	Power
2	0.50 Y/R	Signal

# Harness Connector View

Engine Harness Connector (E--)

NO.3 Cylinder Injector Connector

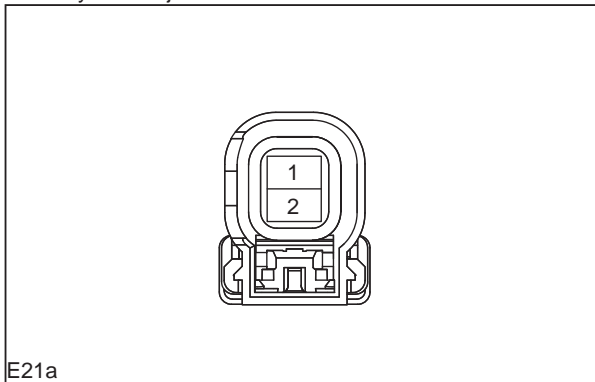


E20a

E20a Pin Definition

Pin Number	Wire Width / Color	Function
1	0.85 B/R	Power
2	0.50 P/Y	Signal

NO.4 Cylinder Injector Connector



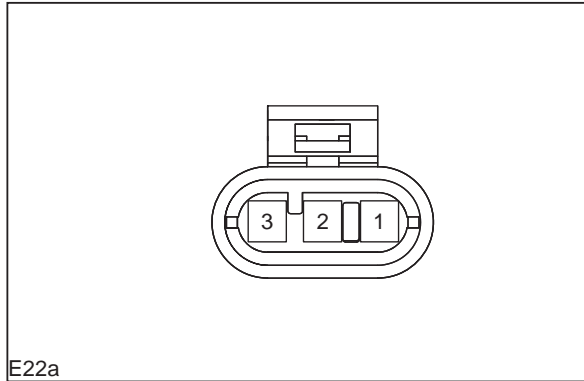
E21a

E21a Pin Definition

Pin Number	Wire Width / Color	Function
1	0.85 B/R	Power
2	0.50 G/Y	Signal

Engine Harness Connector (E--)

NO.1 Cylinder Ignition Coil Connector

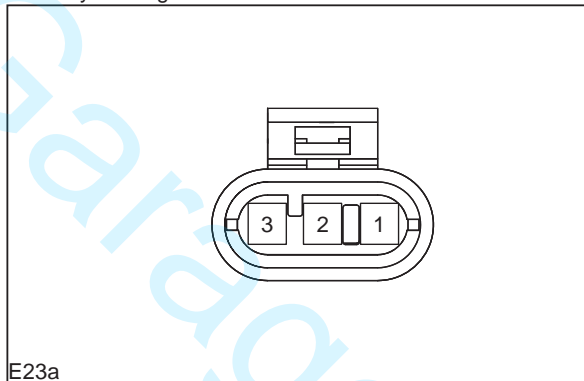


E22a

E22a Pin Definition

Pin Number	Wire Width / Color	Function
1	1.25 B/W	Control signal
2	0.85 R/G	Power
3	0.85 B	Ground

NO.2 Cylinder Ignition Coil Connector



E23a

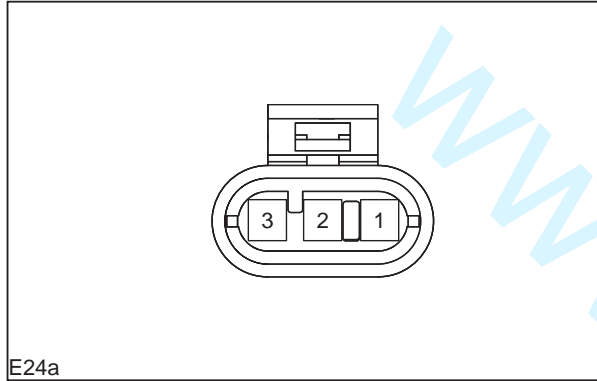
E23a Pin Definition

Pin Number	Wire Width / Color	Function
1	1.25 P/G	Control signal
2	0.85 R/G	Power
3	0.85 B	Ground

# Harness Connector View

Engine Harness Connector (E--)

NO.3 Cylinder Ignition Coil Connector

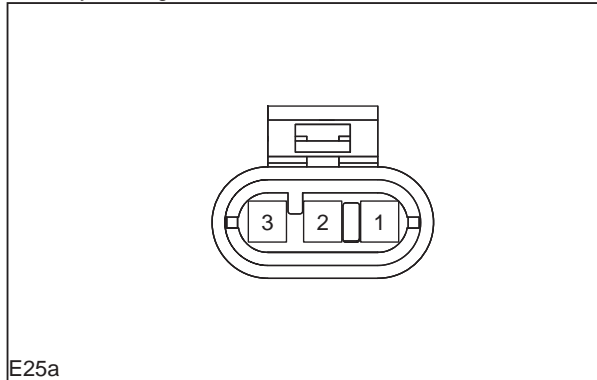


E24a

E24a Pin Definition

Pin Number	Wire Width / Color	Function
1	1.25 Bl/W	Control signal
2	0.85 R/G	Power
3	0.85 B	Ground

NO.4 Cylinder Ignition Connector



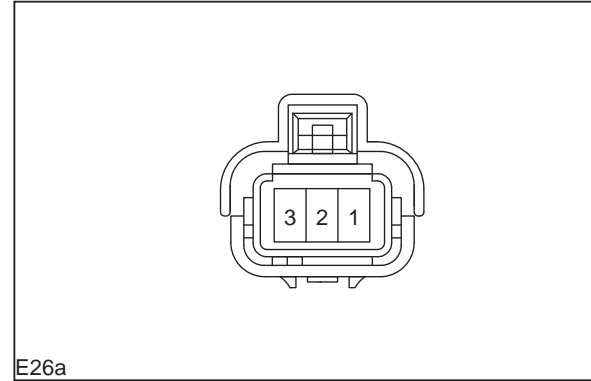
E25a

E25a Pin Definition

Pin Number	Wire Width / Color	Function
1	1.25 Br	Control signal
2	0.85 R/G	Power
3	0.85 B	Ground

Engine Harness Connector (E--)

N Gear Switch Connector

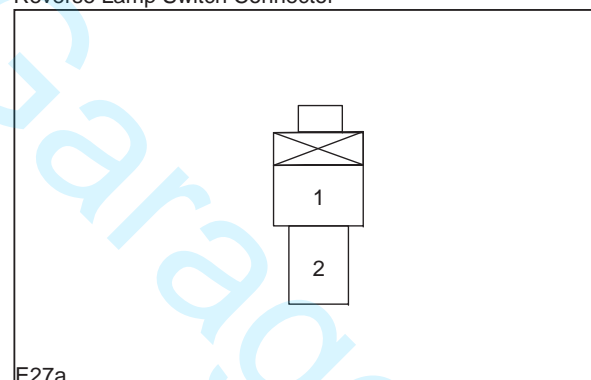


E26a

E26a Pin Definition

Pin Number	Wire Width / Color	Function
1	0.50 P	Power
2	0.50 B	Ground
3		NC

Reverse Lamp Switch Connector



E27a

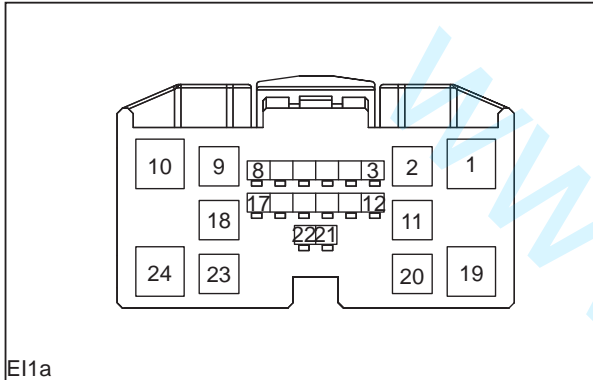
E27a Pin Definition

Pin Number	Wire Width / Color	Function
1	0.50 G/P	Power
2	0.50 B	Ground

# Harness Connector View

Engine Harness Connector (E--)

Engine Harness to I/P Harness Connector



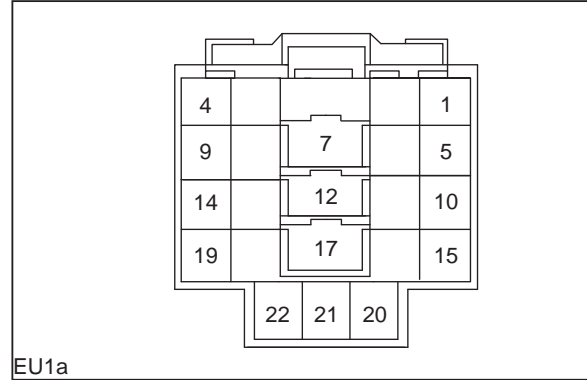
E11a

E11a Pin Definition

Pin Number	Wire Width / Color	Function
1		NC
2	0.50 B/W	PCAN-L
3	0.50 Gr	Rear oxygen sensor signal
4	0.85 Br/R	Ground
5	0.50 P	N gear switch signal
6		NC
7	0.50 P/B	Clutch switch signal
8	0.50 Gr/R	Brake switch signal(normally ON)
9	0.85 Bl/R	Power
10		NC
11	0.50 R/W	PCAN-H
12		NC
13	0.50 W/R	Charging indicator signal
14	0.50 Y/B	Oil pressure switch signal
15	0.50 G/P	Reversing switch signal
16		NC
17	0.50 Gr/W	Brake switch signal(normally OFF)
18	1.25 G/O	Rear oxygen sensor heating signal
19		NC
20	0.50 R/G	IG1 power
21		NC
22		NC
23	0.85 B/W	Power
24		NC

Engine Harness Connector (E--)

Engine Harness to Engine Compartment Harness Connector



EU1a

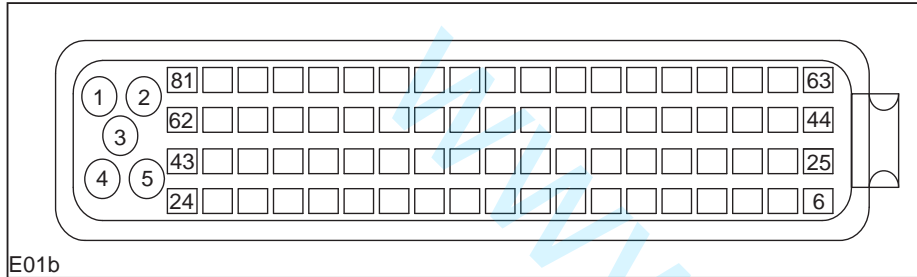
EU1a Pin Definition

Pin Number	Wire Width / Color	Function
1	1.25 Gr/V	High speed fan relay control
2	0.50 Gr/B	Compressor relay control
3	0.50 Gr/Y	Fuel pump control
4	0.50 Gr/O	Low speed fan control
5	0.50 Y	Main relay control signal
6	0.85 R/V	Compressor power
7	2.00 B/Y	Stator power
8	0.85 Bl/Y	Front oxygen sensor power
9		NC
10	0.50 G	A/C medium pressure signal input
11	0.50 R/G	A/C switch signal
12	2.00 Bl/R	Injector power
13	0.85 R	ECU power
14		NC
15		NC
16		NC
17	1.25 R/G	Ignition coil power
18		NC
19		NC
20		NC
21		NC
22		NC

# Harness Connector View

## Engine Harness Connector (E--)

### ECU Connector



### E01b Pin Definition

Pin Number	Wire Width / Color	Function
1	0.85 P	NO.3 cylinder ignition coil control signal
2	1.25 B	Ground
3	1.25 B	Ground
4	0.85 W	NO.1 cylinder ignition coil control signal
5	1.25 BI/R	Main relay power
6	0.85 P/Y	NO.1 cylinder injector control signal
7	0.85 P/Y	NO.3 cylinder injector control signal
8	0.85 Y/R	NO.2 cylinder injector control signal
9	0.50 B/Br	Fuel pump control
10	0.50 W	A/C compressor relay control signal
11	0.50 BI	CKP signal-A
12		NC
13		NC
14		NC
15		NC
16		NC
17	0.50 O/BI	High speed fan relay control signal
18		NC
19		NC
20	1.25 V	Throttle motor -
21	1.25 Y/W	Throttle motor +
22		NC
23	0.85 G	Rear oxygen sensor heating control signal
24	0.50 V/W	Front oxygen sensor heating signal
25	0.85 G/Y	NO.4 cylinder injector control signal
26	0.50 V	Cruise control switch signal
27	0.50 P	TPS signal 2
28		NC
29		NC
30	0.50 G	CKP signal-B
31		NC

## Engine Harness Connector (E--)

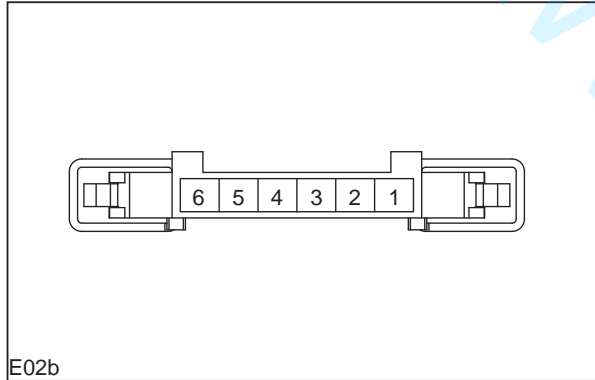
32		NC
33	0.50 BI/R	Brake switch signal (normally ON)
34		NC
35		NC
36	0.50 W	KS signal A
37	0.50 B	KS signal B
38	0.50 BI/B	PCAN-L
39	0.50 BI/W	PCAN-H
40	0.50 G	A/C medium pressure switch signal
41	0.50 R/Y	APP signal 1
42	0.50 Gr	APP signal 2
43	0.85 Y/W	Intake VVT valve control signal
44	0.50 Y	Main relay control signal
45		NC
46		NC
47	0.50 O/Y	Front oxygen sensor signal
48	0.50 Gr	Rear oxygen sensor signal
49	0.50 Y/B	Coolant temperature sensor signal
50	0.50 BI	Alternator field current control
51		NC
52	0.50 BI/G	TPS signal 1
53		NC
54	0.50 P	MAP signal
55		NC
56		NC
57		NC
58		NC
59		NC
60	0.50 BI/G	Power steering switch signal
61		NC
62	0.85 G	NO.4 cylinder ignition control signal
63		NC
64	0.85 W/G	Canister solenoid valve control signal
65	0.50 BI/G	Low speed fan relay control signal
66	0.50 R/W	5V power
67	0.85 R/B	Power
68	0.85 B/W	Power
69	0.50 G/W	Brake switch signal (normally OFF)
70	0.50 R/B	5V Power
71	0.50 BI	Intake temperature signal
72		NC
73	0.50 V/B	Oxygen sensor signal ground
74	0.50 W	Ground
75	0.50 P/G	K-line

# Harness Connector View

## Engine Harness Connector (E--)

Pin Number	Wire Width / Color	Function
76	0.50 R/B	Ground
77	0.50 G/W	CMP signal
78		NC
79	0.50 R/G	A/C request signal
80		NC
81	0.85 Y	NO.2 cylinder ignition control signal

## Accelerator Pedal Position Sensor Connector

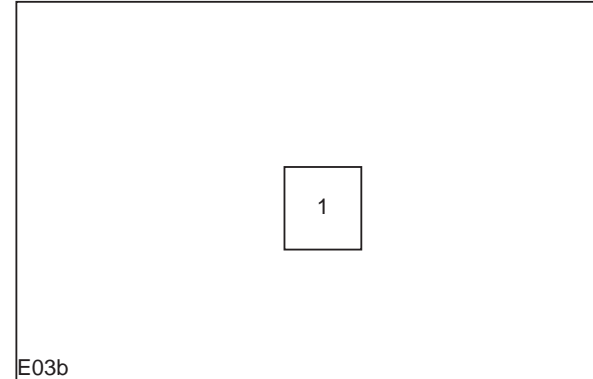


### E02b Pin Definition

Pin Number	Wire Width / Color	Function
1	0.50 Gr	APP sensor 2 signal
2	0.50 R/B	APP sensor 2 ground
3	0.50 R/Y	APP sensor 1 signal
4	0.50 W	APP sensor 1 ground
5	0.50 R/B	APP sensor 1 power
6	0.50 R/W	APP sensor 2 power

## Engine Harness Connector (E--)

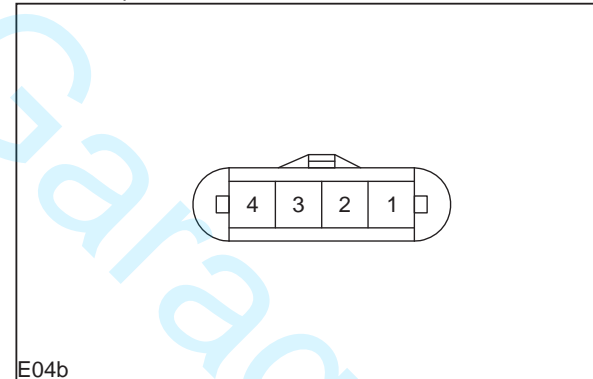
### Power Steering Switch Connector



### E03b Pin Definition

Pin Number	Wire Width / Color	Function
1	0.50 BI/G	Signal

## Intake Temperature/Pressure Sensor Connector



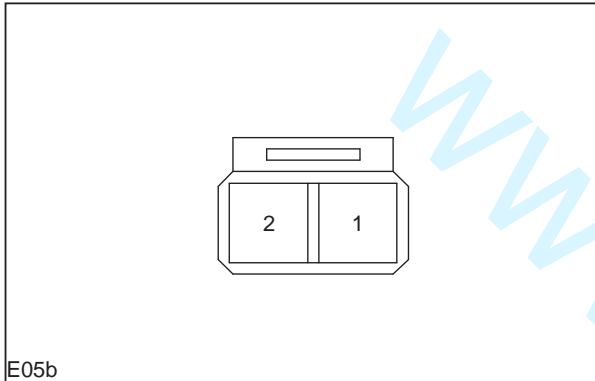
### E04b Pin Definition

Pin Number	Wire Width / Color	Function
1	0.50 P	Pressure signal
2	0.50 R/W	Power
3	0.50 BI	Temperature signal
4	0.50 R/B	Signal ground

# Harness Connector View

Engine Harness Connector (E--)

Knock Sensor Connector

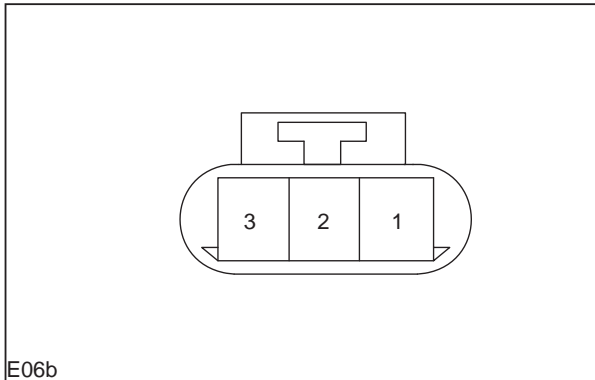


E05b

E05b Pin Definition

Pin Number	Wire Width / Color	Function
1	0.50 B	Signal-A
2	0.50 W	Signal-B

Camshaft Position Sensor Connector



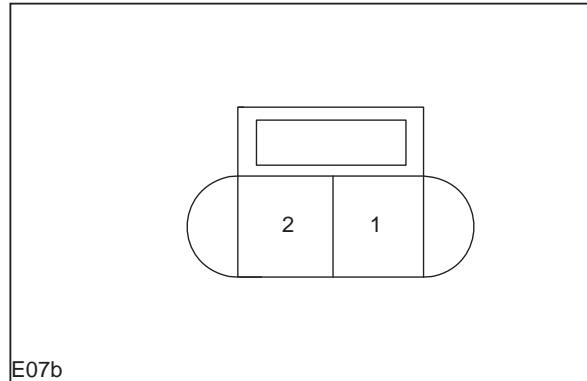
E06b

E06b Pin Definition

Pin Number	Wire Width / Color	Function
1	0.50 R/B	Power
2	0.50 W	Ground
3	0.50 G/W	Signal

Engine Harness Connector (E--)

Canister Solenoid Valve Connector

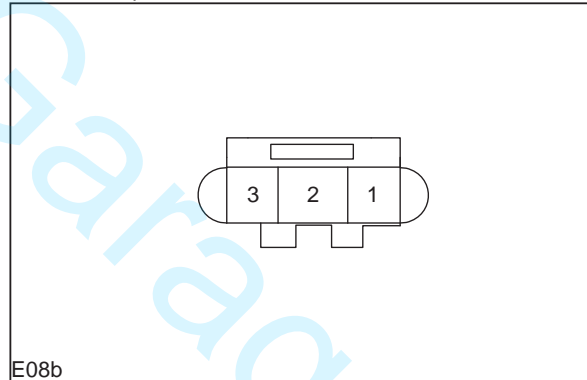


E07b

E07b Pin Definition

Pin Number	Wire Width / Color	Function
1	0.85 B/R	Power
2	0.85 W/G	Signal

Coolant Temperature Sensor Connector



E08b

E08b Pin Definition

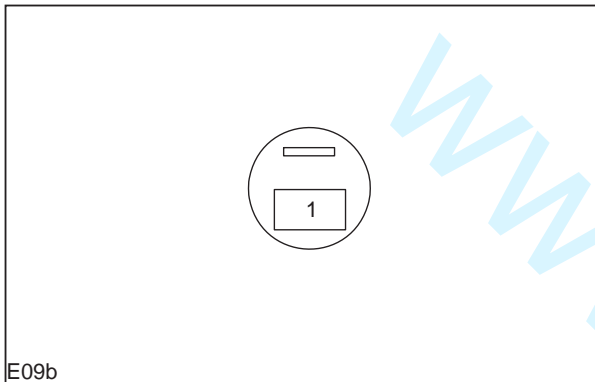
Pin Number	Wire Width / Color	Function
1	0.50 W	Temperature signal
2		NC
3	0.50 Y/B	Signal ground



# Harness Connector View

Engine Harness Connector (E--)

Oil Pressure Switch Connector

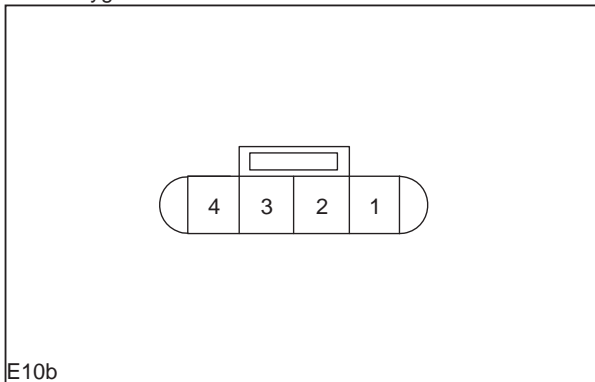


E09b

E09b Pin Definition

Pin Number	Wire Width / Color	Function
1	0.50 Y/B	Signal

Front Oxygen Sensor Connector



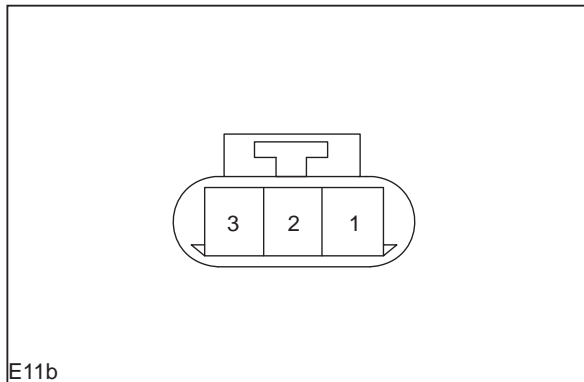
E10b

E10b Pin Definition

Pin Number	Wire Width / Color	Function
1	0.50 R/G	Power
2	0.50 V/W	Heating signal
3	0.50 O/Y	Signal
4	0.50 V/B	Signal ground

Engine Harness Connector (E--)

Crankshaft Position Sensor Connector



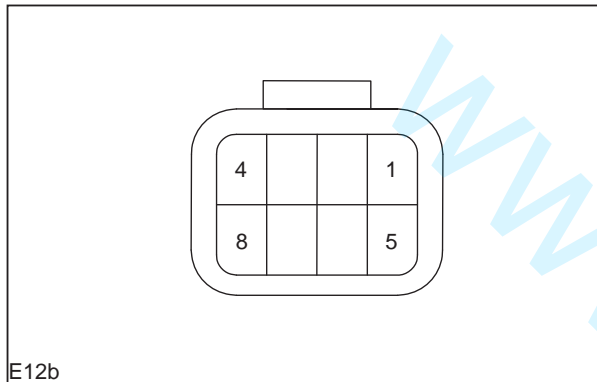
E11b

E11b Pin Definition

Pin Number	Wire Width / Color	Function
1	0.50 G	Signal-A
2	0.50 BI	Signal-B
3	0.50 B	Ground

# Harness Connector View

Engine Harness Connector (E--)  
Throttle Position Sensor Connector

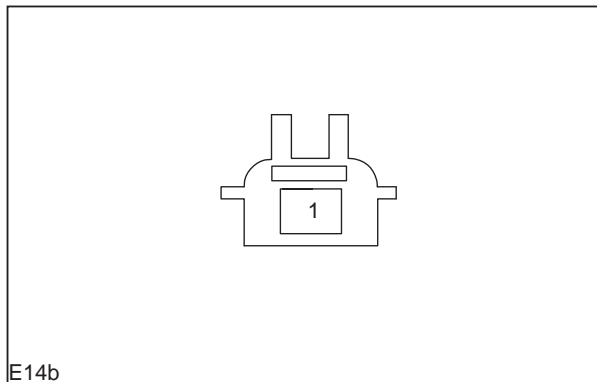


E12b

E12b Pin Definition

Pin Number	Wire Width / Color	Function
1	0.50 W	Ground
2	0.50 BI/G	Throttle signal 1
3	0.50 P	Throttle signal 2
4	0.50 R/B	Power
5	1.25 Y/W	Throttle motor power +
6		NC
7		NC
8	1.25 V	Throttle motor power -

Stator Connector

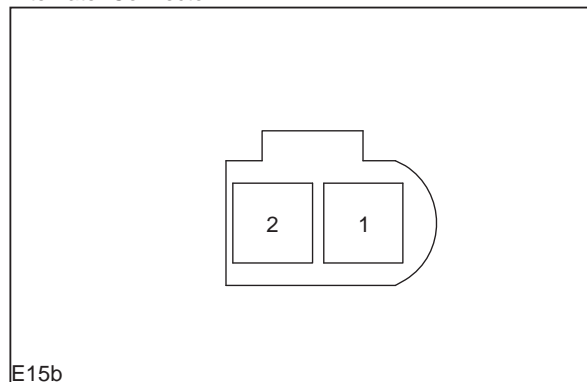


E14b

E14b Pin Definition

Pin Number	Wire Width / Color	Function
1	2.00 Y/B	Power

Engine Harness Connector (E--)  
Alternater Connector

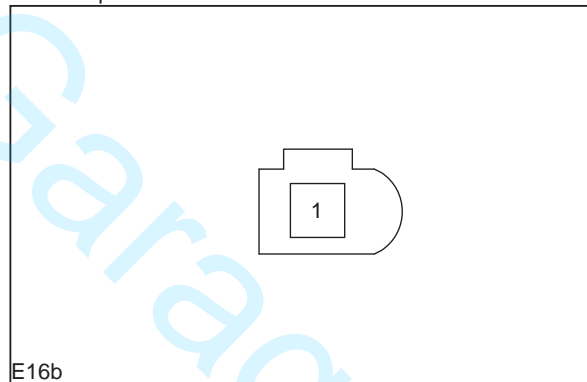


E15b

E15b Pin Definition

Pin Number	Wire Width / Color	Function
1	0.50 V	Charging indicator signal
2	0.50 BI	Alternator power output

A/C Compressor Connector



E16b

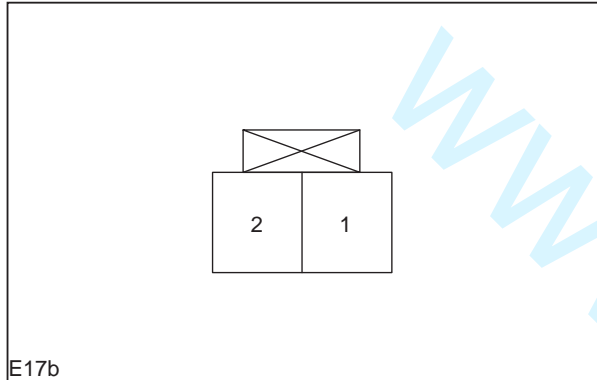
E16b Pin Definition

Pin Number	Wire Width / Color	Function
1	0.85 R/G	Control signal

# Harness Connector View

Engine Harness Connector (E--)

Intake VVT Valve Connector

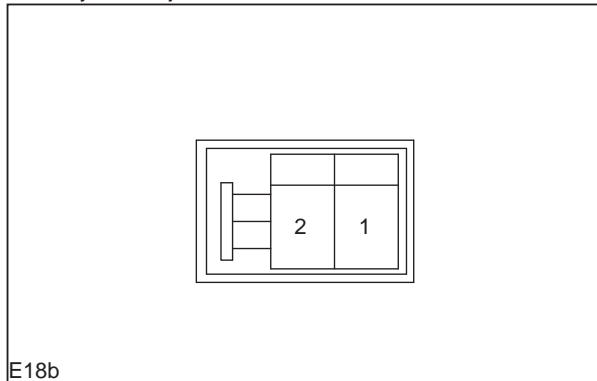


E17b

E17b Pin Definition

Pin Number	Wire Width / Color	Function
1	0.85 B/R	Power
2	0.85 Y/W	Signal

NO.1 Cylinder Injector Connector



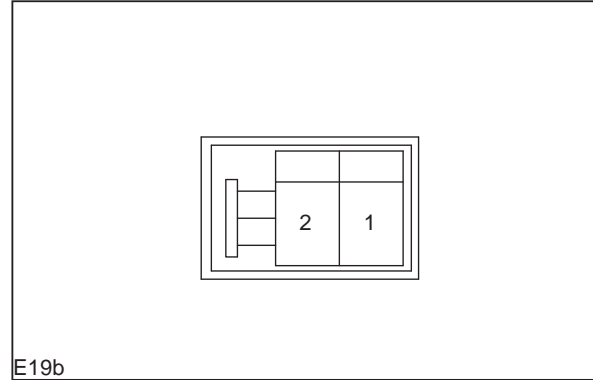
E18b

E18b Pin Definition

Pin Number	Wire Width / Color	Function
1	0.85 B/R	Power
2	0.85 P/Y	Signal

Engine Harness Connector (E--)

NO.2 Cylinder Injector Connector

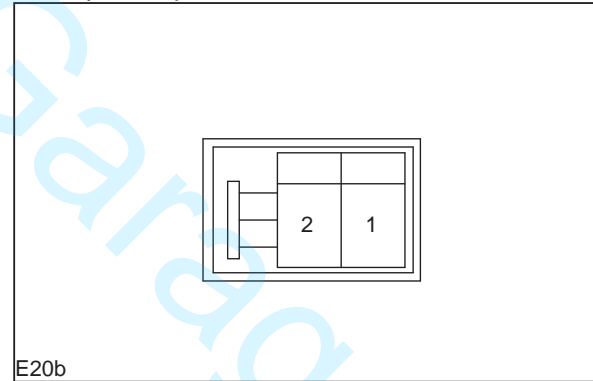


E19b

E19b Pin Definition

Pin Number	Wire Width / Color	Function
1	0.85 B/R	Power
2	0.85 Y/R	Signal

NO.3 Cylinder Injector Connector



E20b

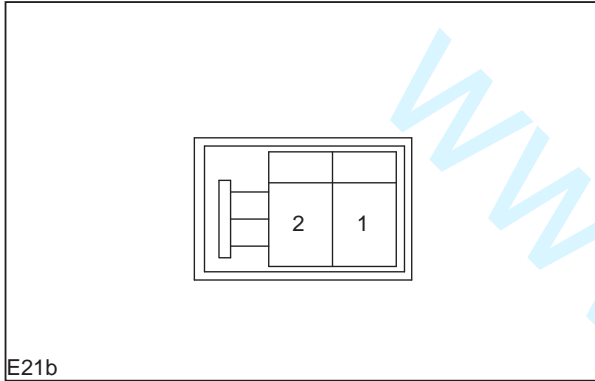
E20b Pin Definition

Pin Number	Wire Width / Color	Function
1	0.85 B/R	Power
2	0.85 P/Y	Signal

# Harness Connector View

Engine Harness Connector (E--)

NO.4 Cylinder Injector Connector

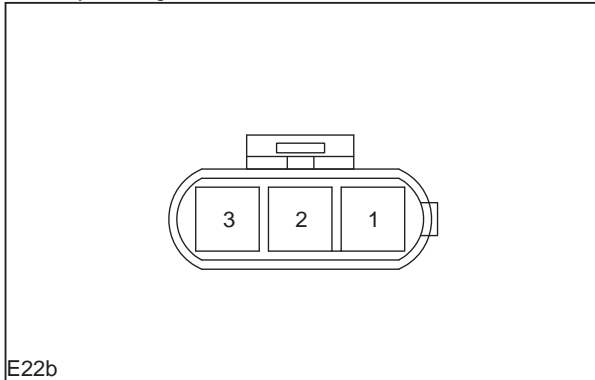


E21b

E21b Pin Definition

Pin Number	Wire Width / Color	Function
1	0.85 Bl/R	Power
2	0.85 G/Y	Signal

NO.1 Cylinder Ignition Coil Connector



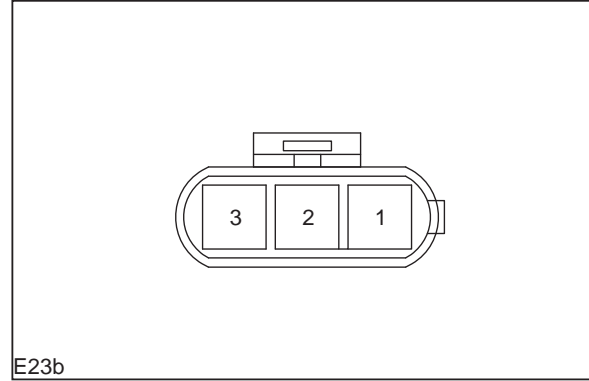
E22b

E22b Pin Definition

Pin Number	Wire Width / Color	Function
1	0.85 W	Control signal
2	0.85 B/W	Ground
3	0.85 Bl/Gr	Power

Engine Harness Connector (E--)

NO.2 Cylinder Ignition Coil Connector

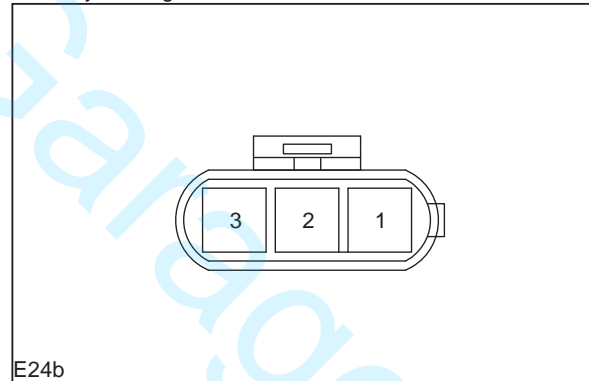


E23b

E23b Pin Definition

Pin Number	Wire Width / Color	Function
1	0.85 Y	Control signal
2	0.85 B/W	Ground
3	0.85 Bl/Gr	Power

NO.3 Cylinder Ignition Coil Connector



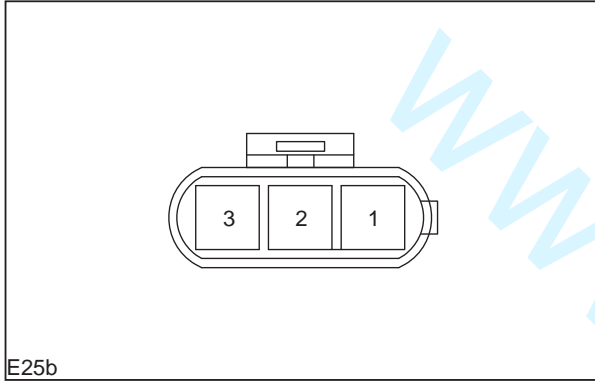
E24b

E24b Pin Definition

Pin Number	Wire Width / Color	Function
1	0.85 P	Control signal
2	0.85 B/W	Ground
3	0.85 Bl/Gr	Power

# Harness Connector View

Engine Harness Connector (E--)  
NO.4 Cylinder Ignition Coil Connector

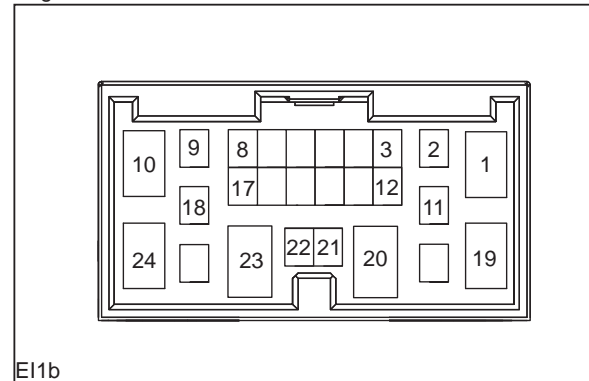


E25b

E25b Pin Definition

Pin Number	Wire Width / Color	Function
1	0.85 G	Control signal
2	0.85 B/W	Ground
3	0.85 BI/Gr	Power

Engine Harness Connector (E--)  
Engine Harness to IP Harness Connector



E11b

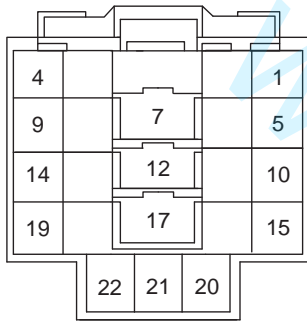
E11b Pin Definition

Pin Number	Wire Width / Color	Function
1		NC
2	0.50 BI/B	ECM PCAN-L
3	0.50 Gr	Rear oxygen sensor signal
4	0.50 P	Rear oxygen sensor signal ground
5		NC
6		NC
7		NC
8	0.50 BI/R	Brake switch signal (normally ON)
9		NC
10		NC
11	0.50 BI/W	ECM PCAN-H
12	0.50 P/G	K-line
13	0.50 V	Charging indicator signal
14	0.50 Y/B	Oil pressure switch signal
15		NC
16		NC
17	0.50 G/W	Brake switch signal (normally OFF)
18	0.85 G	Rear oxygen sensor heating signal
19		NC
20	0.50 R	ECU power(IG1)
21	0.50 BI	Cruise control switch signal
22	0.50 B/W	Ground
23		NC
24		NC

# Harness Connector View

Engine Harness Connector (E--)

Engine Harness to Engine Compartment Harness Connector



EU1b

EU1b Pin Definition

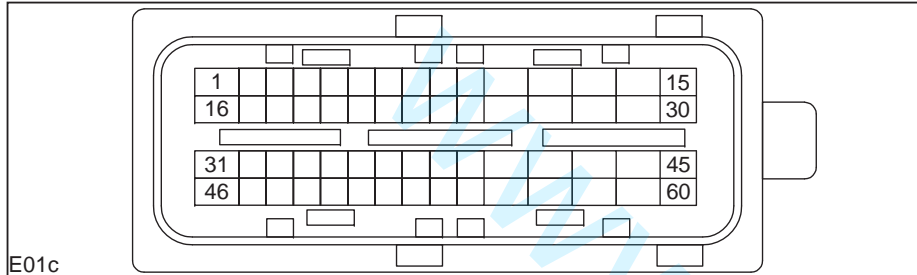
Pin Number	Wire Width / Color	Function
1	0.50 O/Bl	High speed fan relay control signal
2	0.50 W	A/C compressor relay control signal
3	0.50 B/Br	Fuel pump control
4	0.85 Bl/G	Low speed fan control signal
5	0.50 Y	Main relay control signal
6	0.85 R/G	A/C compressor power
7	2.00 Y/B	Stator power
8	0.50 R/G	Front oxygen sensor power
9		NC
10	0.50 G	A/C medium pressure signal input
11	0.50 R/G	A/C switch signal
12	1.25 Bl/R	Injector power
13	0.85 R/B	ECU power
14		NC
15		NC
16		NC
17	1.25 Bl/R	Ignition coil power
18		NC
19		NC
20		NC
21		NC
22		NC

Engine Harness Connector (E--)

# Harness Connector View

## Engine Harness Connector (E--)

### ECU-1 Connector



E01c

### E01c Pin Definition

Pin Number	Wire Width / Color	Function
1	1.25 R/W	NO.1 cylinder injector control signal +
2	1.25 G/BI	NO.3 cylinder injector control signal +
3	0.50 Gr/G	NO.4 cylinder ignition control signal
4	0.50 P/G	NO.1 cylinder ignition control signal
5	0.50 BI/R	NO.2 cylinder ignition control signal
6	0.50 B/W	CMP/CKP power
7	0.50 BI	Ground
8	0.85 Br	Ground
9		NC
10	0.50 BI/W	CKP signal
11		NC
12		NC
13		NC
14	0.85 W/G	Canister solenoid valve signal
15	0.50 Y/B	TPS motor -
16	1.25 P/Y	NO.4 cylinder injector control signal +
17	1.25 O/B	NO.2 cylinder injector control signal +
18	0.50 P/B	Power
19	0.50 O/Y	Fuel rail pressure sensor power
20	0.50 Gr/BI	NO.3 cylinder ignition control signal
21	0.50 BI/W	Ground
22	0.50 W/Y	Ground
23		NC
24	0.50 V/B	Coolant temperature sensor signal
25	0.50 Gr/R	Intake Pressure sensor signal
26	0.50 O/G	TPS signal 2
27	0.50 O/R	TPS signal 1
28	0.85 R/G	Turbine Control Valve signal
29	0.85 BI/G	Turbine Atmospheric Valve signal
30	0.50 Y/R	TPS motor +
31	0.50 Gr/V	TPS power

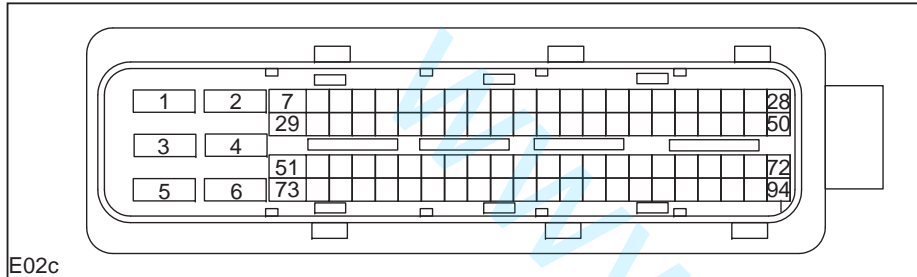
## Engine Harness Connector (E--)

32	0.50 R/W	Power
33	0.50 Gr	Ground
34		NC
35	1.25 R/B	NO.1 cylinder injector control signal -
36	0.50 R/V	Fuel rail pressure sensor ground
37	0.50 V	MAPS signal
38		NC
39	0.50 G	KS signal-B
40	0.50 BI	KS signal-A
41	0.50 O/BI	IATS Signal
42	0.85 Gr/Y	Intake-CMP signal
43	0.85 Br/R	Exhaust-CMP signal
44	0.85 G/Y	Exhaust VVT valve control
45		NC
46	1.25 B/R	Fuel pressure regulating valve -
47	1.25 O/W	NO.2 cylinder injector control signal-
48	1.25 B/O	Fuel pressure regulating valve +
49	1.25 P/R	NO.4 cylinder injector control signal-
50	1.25 G/O	NO.3 cylinder injector control signal-
51	0.50 B/V	Fuel rail pressure sensor signal
52		NC
53		NC
54	0.50 V/O	Panel turnover position sensor signal
55		NC
56		NC
57	0.85 B/W	Reverse turning bed solenoid valve signal
58	0.85 Gr/O	Intake VVT valve control
59		NC
60		NC

# Harness Connector View

Engine Harness Connector (E--)

ECU-2 Connector



E02c

E02c Pin Definition

Pin Number	Wire Width / Color	Function
1	2.00 B	Ground
2	2.00 R	Power
3	2.00 Bl/R	Main relay power
4	2.00 B	Ground
5	2.00 Bl/R	Main relay power
6	2.00 B	Ground
7		NC
8	0.50 G	A/C medium pressure switch signal
9		NC
10	0.50 R/G	A/C switch request signal
11	0.50 Br/W	Brake switch signal(Normally OFF)
12		NC
13		NC
14		NC
15		NC
16	0.50 R/P	APP power
17	0.50 Bl/Y	Front oxygen sensor signal
18	0.50 B/R	Front oxygen sensor signal
19		NC
20	0.50 O/Y	Rear oxygen sensor signal
21		NC
22		NC
23		NC
24		NC
25	0.50 W/G	Ground
26	0.50 W/Y	Ground
27		NC
28		NC
29		NC
30		NC
31		NC

Engine Harness Connector (E--)

32		NC
33		NC
34		NC
35	0.50 R/Y	APP signal 1
36		NC
37		NC
38		NC
39		NC
40	0.50 G/P	Front oxygen sensor signal
41	0.50 G/Bl	Power
42	0.50 P	Brake switch signal(Normally ON)
43		NC
44		NC
45	0.50 O	Cruise control switch signal
46		NC
47	0.50 V/W	Ground
48		NC
49	0.50 G/Bl	Ground
50		NC
51	0.50 Br/W	Front oxygen sensor heating signal
52	0.50 V	Electronic water pump relay ECU control signal
53		NC
54	0.50 O/V	APP signal 2
55		NC
56	0.50 Gr/Y	Fuel pump control
57		NC
58		NC
59		NC
60		NC
61		NC
62		NC
63		NC
64		NC
65	0.50 R/B	APP power
66	0.50 R/G	IG1 power
67		NC
68		NC
69		NC
70	0.50 Br/G	PCAN-H
71	0.50 Br/Y	PCAN-L
72		NC
73	0.50 O/V	Rear oxygen sensor heating signal
74		NC
75		NC
76	0.50 Y	Main relay control
77		NC

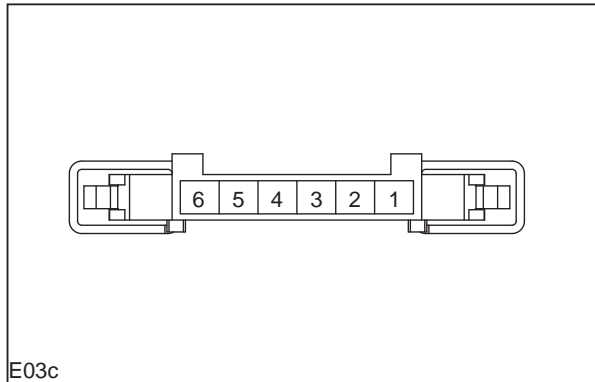


# Harness Connector View

## Engine Harness Connector (E--)

Pin Number	Wire Width / Color	Function
78		NC
79		NC
80		NC
81		NC
82		NC
83	0.50 Gr/Bl	A/C compressor relay control signal
84	0.50 Gr/O	Low speed fan relay control signal
85	0.50 Gr/V	High speed fan relay control signal
86		NC
87		NC
88		NC
89		NC
90		NC
91		NC
92		NC
93		NC
94		NC

## Accelerator Pedal Position Sensor Connector



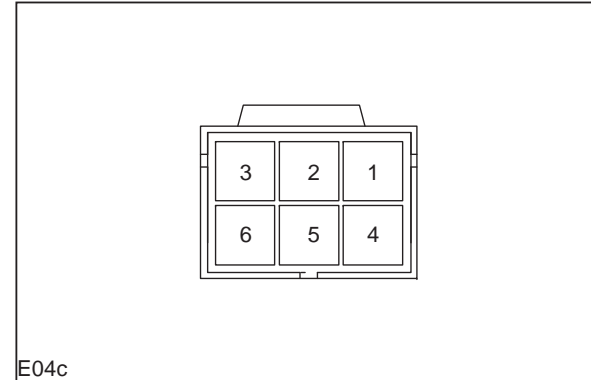
E03c

### E03c Pin Definition

Pin Number	Wire Width / Color	Function
1	0.50 O/V	APP sensor 2 signal
2	0.50 W/G	APP sensor 2 ground
3	0.50 R/Y	APP sensor 1 signal
4	0.50 W/Y	APP sensor 1 ground
5	0.50 R/B	APP sensor 1 power
6	0.50 R/P	APP sensor 2 power

## Engine Harness Connector (E--)

### Front Oxygen Sensor Connector

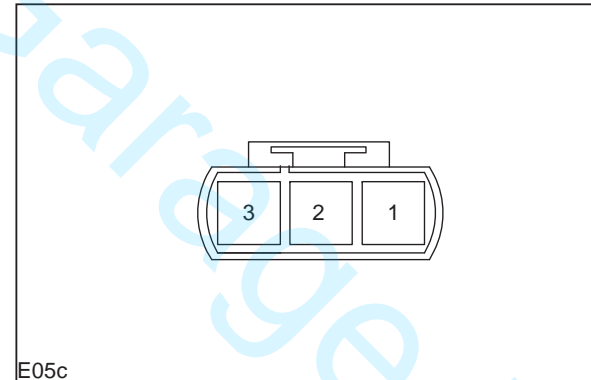


E04c

### E04c Pin Definition

Pin Number	Wire Width / Color	Function
1	0.50 Br/W	Heating signal
2	0.50 G/P	Signal
3	0.50 G/Bl	Power
4	0.85 Bl/Y	Power
5	0.50 B/R	Signal
6	0.50 Bl/Y	Power

## Intake Camshaft Position Sensor Connector



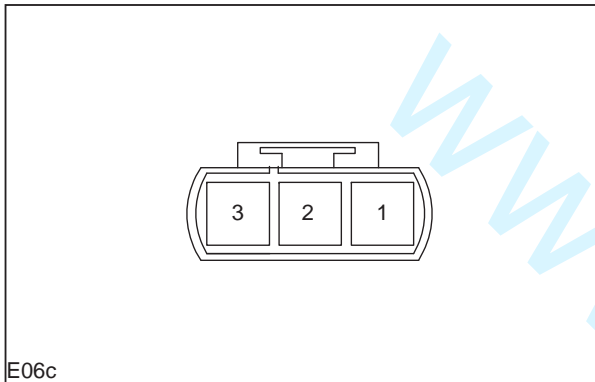
E05c

### E05c Pin Definition

Pin Number	Wire Width / Color	Function
1	0.50 B/W	Power
2	0.85 Br	Ground
3	0.85 Gr/Y	Signal

# Harness Connector View

Engine Harness Connector (E--)  
Exhaust Camshaft Position Sensor Connector

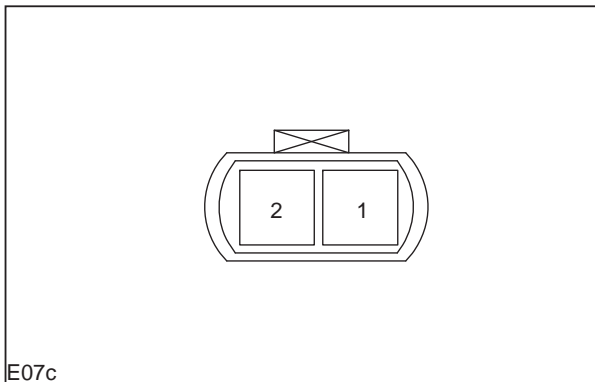


E06c

E06c Pin Definition

Pin Number	Wire Width / Color	Function
1	0.50 B/W	Power
2	0.85 Br	Ground
3	0.85 Br/R	Signal

Exhaust VVT Valve Connector

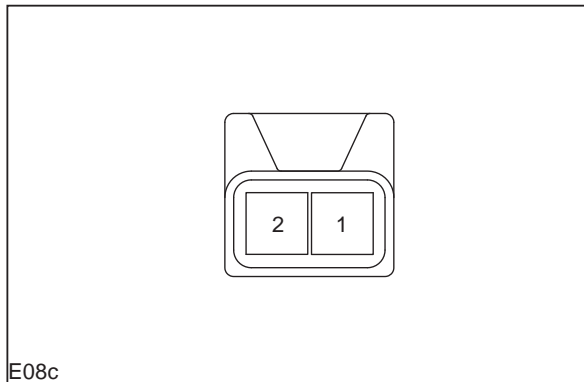


E07c

E07c Pin Definition

Pin Number	Wire Width / Color	Function
1	0.85 Bl/R	Power
2	0.85 G/Y	Signal

Engine Harness Connector (E--)  
Turbo Valve Connector

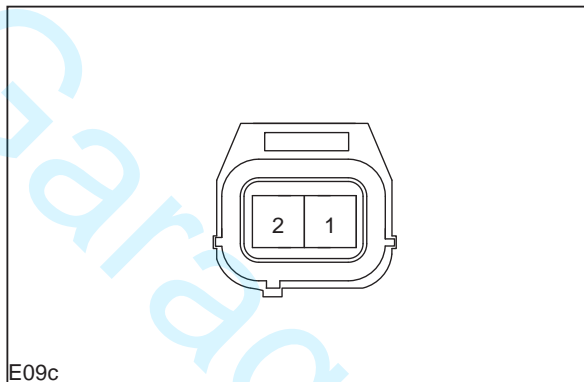


E08c

E08c Pin Definition

Pin Number	Wire Width / Color	Function
1	0.85 Bl/R	Power
2	0.85 R/G	Signal

Turbine Pressure Relief Valve Connector



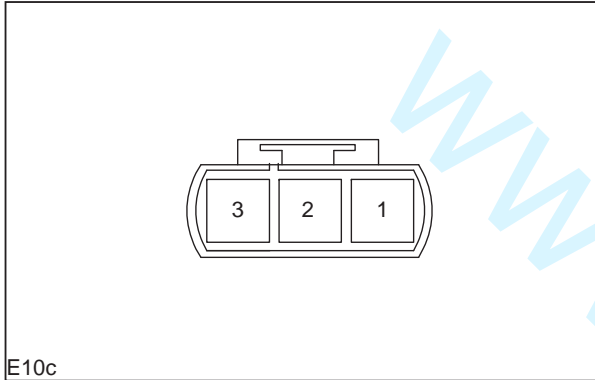
E09c

E09c Pin Definition

Pin Number	Wire Width / Color	Function
1	0.85 Bl/R	Power
2	0.85 Bl/G	Signal

# Harness Connector View

Engine Harness Connector (E--)  
Crankshaft Position Sensor Connector

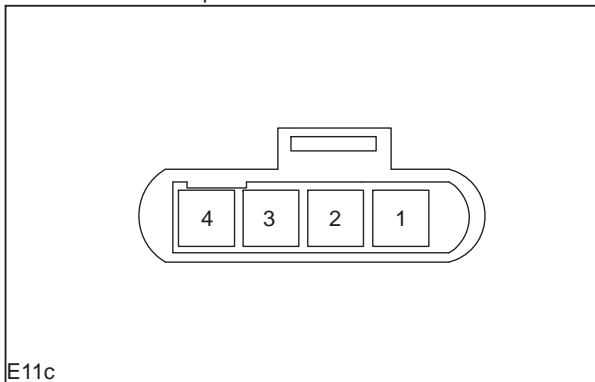


E10c

E10c Pin Definition

Pin Number	Wire Width / Color	Function
1	0.50 B/W	Power
2	0.50 W/Y	Ground
3	0.50 BI/W	Signal

Turbo Pressure/Temperature Sensor Connector

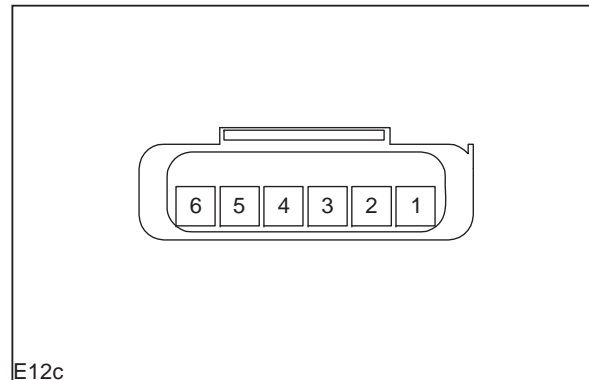


E11c

E11c Pin Definition

Pin Number	Wire Width / Color	Function
1	0.50 V	Pressure signal
2	0.50 P/B	Power
3	0.50 O/BI	Temperature signal
4	0.50 BI/W	Ground

Engine Harness Connector (E--)  
Throttle Position Sensor Connector

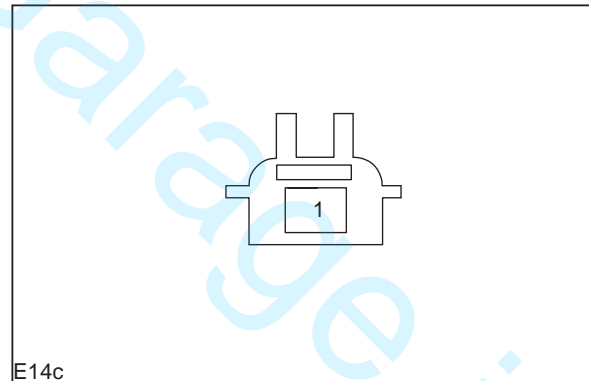


E12c

E12c Pin Definition

Pin Number	Wire Width / Color	Function
1	0.85 Y/R	Motor +
2	0.85 Y/B	Motor -
3	0.85 O/G	TPS Signal 2
4	0.85 BI	Ground
5	0.85 Gr/V	Power
6	0.85 O/R	TPS Signal 1

Stator Connector



E14c

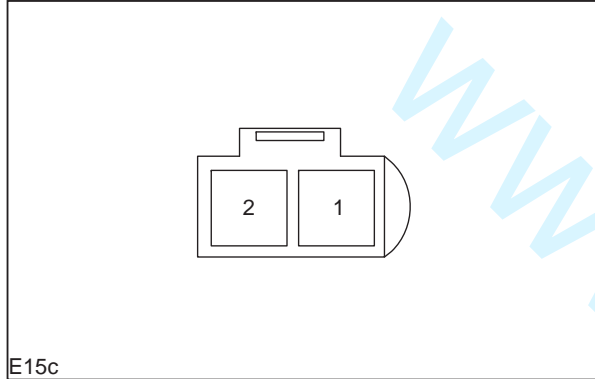
E14c Pin Definition

Pin Number	Wire Width / Color	Function
1	2.00 B/Y	Power

# Harness Connector View

## Engine Harness Connector (E--)

### Alternator Connector

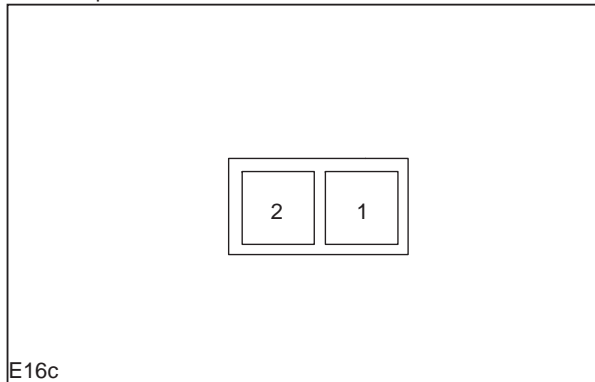


E15c

### E15c Pin Definition

Pin Number	Wire Width / Color	Function
1	0.50 R/V	Charging indicator signal
2		NC

### A/C Compressor Control Valve Connector



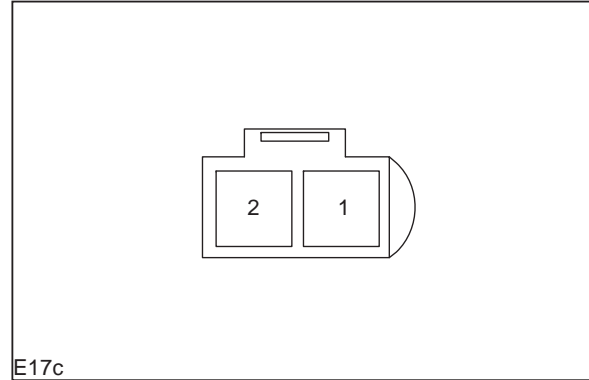
E16c

### E16c Pin Definition

Pin Number	Wire Width / Color	Function
1	0.85 R/Y	Power -
2	0.85 R/W	Power +

## Engine Harness Connector (E--)

### A/C Compressor Clutch Connector

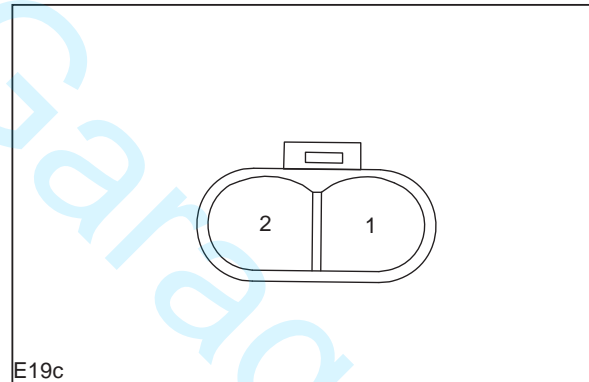


E17c

### E17c Pin Definition

Pin Number	Wire Width / Color	Function
1	0.85 B	Power -
2	0.85 R/V	Power +

### Canister Solenoid Valve Connector



E19c

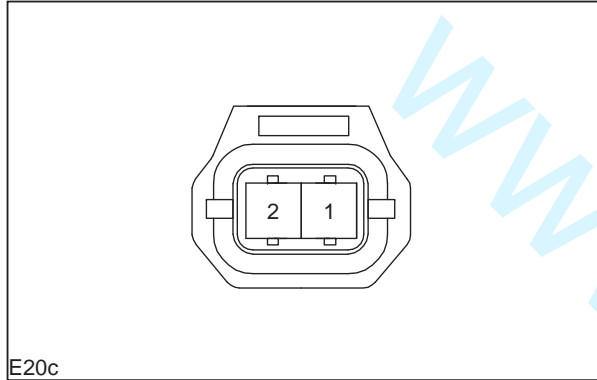
### E19c Pin Definition

Pin Number	Wire Width / Color	Function
1	0.85 Bl/R	Power
2	0.85 W/G	Signal

# Harness Connector View

Engine Harness Connector (E--)

High Pressure Oil Pump Connector

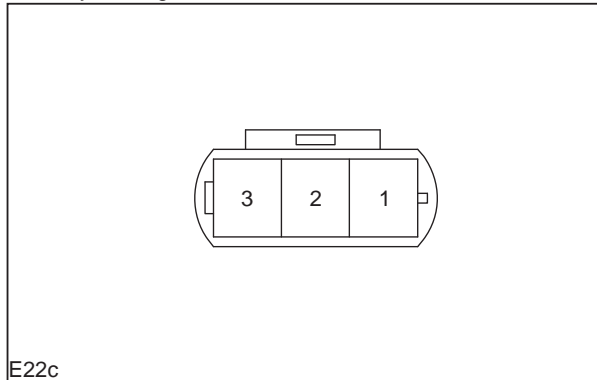


E20c

E20c Pin Definition

Pin Number	Wire Width / Color	Function
1	1.25 B/O	Power +
2	1.25 B/R	Power -

NO.1 Cylinder Ignition Coil Connector



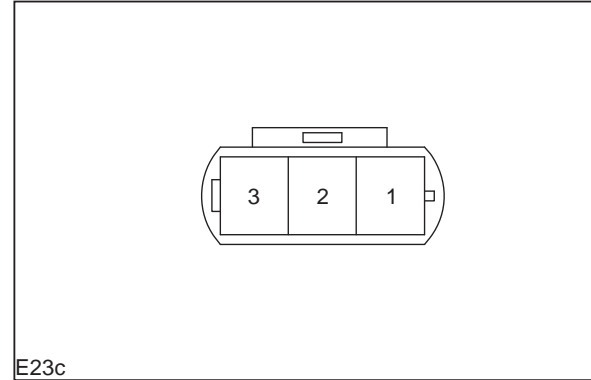
E22c

E22c Pin Definition

Pin Number	Wire Width / Color	Function
1	0.85 R/G	Power
2	0.85 B	Ground
3	0.85 P/G	Control signal

Engine Harness Connector (E--)

NO.2 Cylinder Ignition Coil Connector

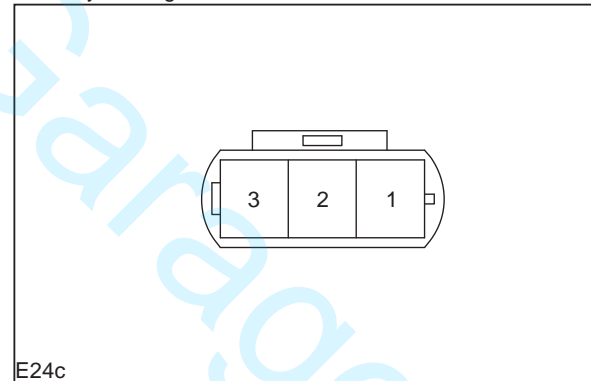


E23c

E23c Pin Definition

Pin Number	Wire Width / Color	Function
1	0.85 R/G	Power
2	0.85 B	Ground
3	0.85 Bl/R	Control signal

NO.3 Cylinder Ignition Coil Connector



E24c

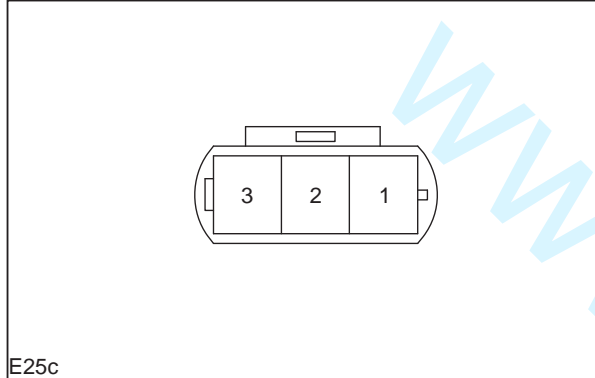
E24c Pin Definition

Pin Number	Wire Width / Color	Function
1	0.85 R/G	Power
2	0.85 B	Ground
3	0.85 Gr/Bl	Control signal

# Harness Connector View

## Engine Harness Connector (E--)

### NO.4 Cylinder Ignition Coil Connector

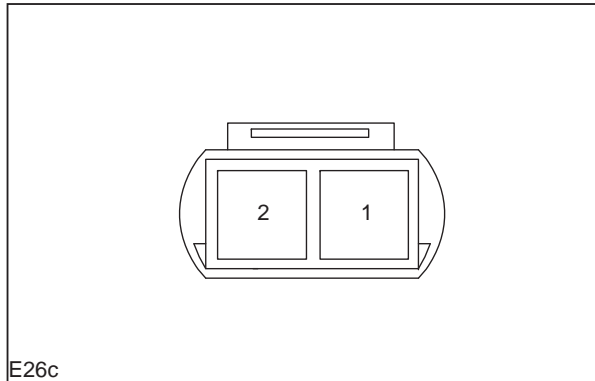


E25c

#### E25c Pin Definition

Pin Number	Wire Width / Color	Function
1	0.85 R/G	Power
2	0.85 B	Ground
3	0.85 Gr/G	Control signal

### Knock Sensor Connector



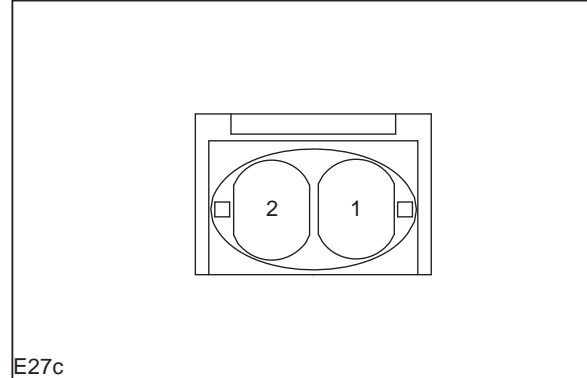
E26c

#### E26c Pin Definition

Pin Number	Wire Width / Color	Function
1	0.50 BI	Signal-A
2	0.50 G	Signal-B

## Engine Harness Connector (E--)

### Electric Water Pump Connector

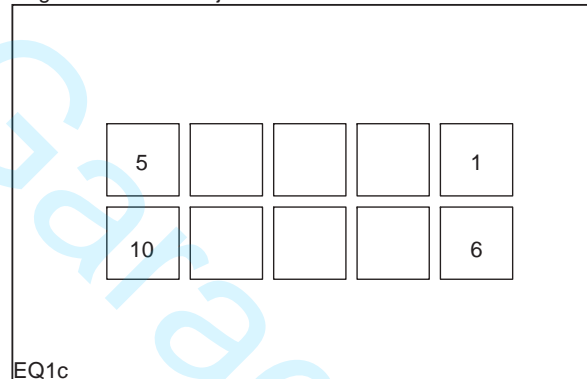


E27c

#### E27c Pin Definition

Pin Number	Wire Width / Color	Function
1	1.25 B	Power -
2	1.25 Bl/R	Power +

### Engine Harness to Injector Harness Connector



EQ1c

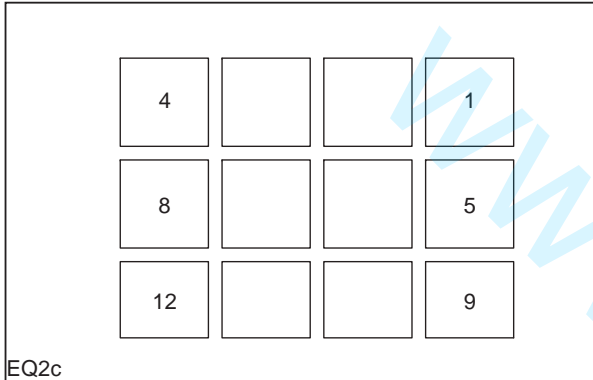
#### EQ1c Pin Definition

Pin Number	Wire Width / Color	Function
1	1.25 R/W	NO.1 cylinder injector control signal +
2	1.25 O/B	NO.2 cylinder injector control signal +
3	1.25 G/BI	NO.3 cylinder injector control signal +
4	1.25 P/Y	NO.4 cylinder injector control signal +
5	0.85 Bl/R	Power
6	1.25 R/B	NO.1 cylinder injector control signal -
7	1.25 O/W	NO.2 cylinder injector control signal -
8	1.25 G/O	NO.3 cylinder injector control signal -
9	1.25 P/R	NO.4 cylinder injector control signal -
10	0.85 B/W	Reverse turning bed solenoid valve signal

# Harness Connector View

Engine Harness Connector (E--)

Engine Harness to Injector Harness Connector



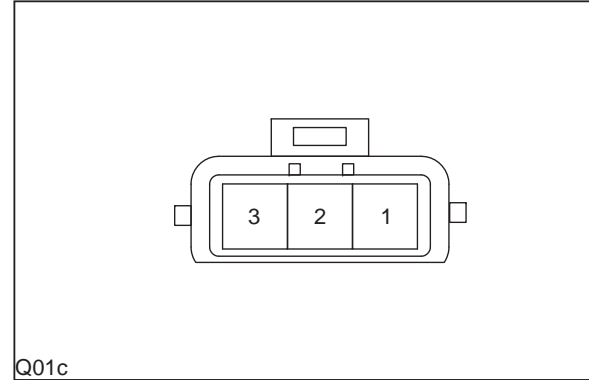
EQ2c

EQ2c Pin Definition

Pin Number	Wire Width / Color	Function
1	0.50 V/O	Panel turnover position sensor signal
2	0.85 Gr/O	Intake VVT valve signal
3	0.50 Gr/R	Intake Pressure sensor signal
4	0.50 R/V	Fuel rail pressure sensor ground
5	0.50 V/B	Fuel rail pressure sensor power
6	0.85 Bl/R	Power
7	0.50 Gr	Signal ground
8	0.50 B/V	Fuel rail pressure sensor signal
9		NC
10	0.50 V/Y	Oil pressure sensor signal
11	0.50 R/W	Power
12	0.50 O/Y	Fuel rail pressure sensor power

Engine Harness Connector (E--)

Intake Pressure Sensor Connector

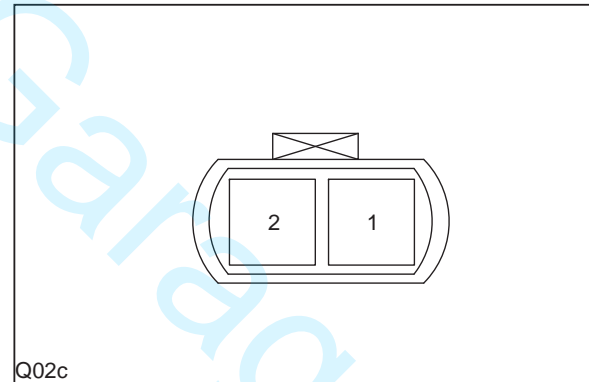


Q01c

Q01c Pin Definition

Pin Number	Wire Width / Color	Function
1	0.50 Gr/R	Signal
2	0.50 Gr	Ground
3	0.50 R/W	Power

Intake VVT Valve Connector



Q02c

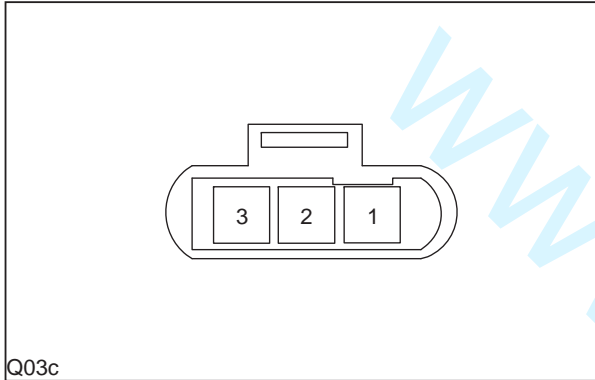
Q02c Pin Definition

Pin Number	Wire Width / Color	Function
1	0.85 Bl/R	Power
2	0.85 Gr/O	Signal

# Harness Connector View

Engine Harness Connector (E--)

Panel Turnover Position Sensor Connector

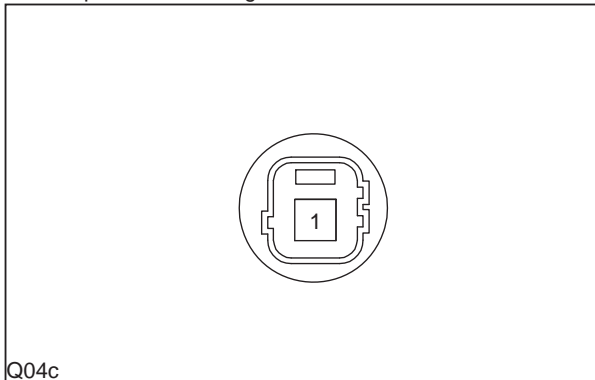


Q03c

Q03c Pin Definition

Pin Number	Wire Width / Color	Function
1	0.50 R/W	5V power
2	0.50 V/O	Signal
3	0.50 Gr	Ground

Low Oil pressure Warning Connector



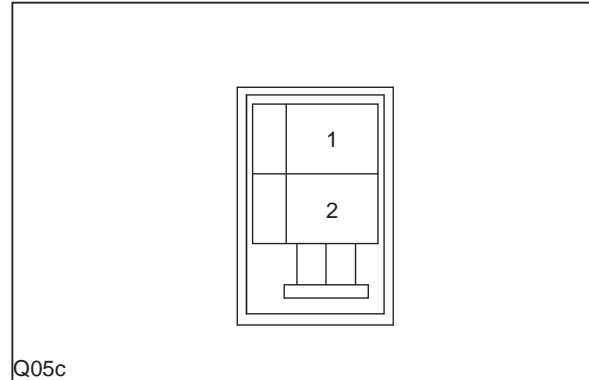
Q04c

Q04c Pin Definition

Pin Number	Wire Width / Color	Function
1	0.50 V/Y	Signal

Engine Harness Connector (E--)

NO.1 Cylinder Injector Connector

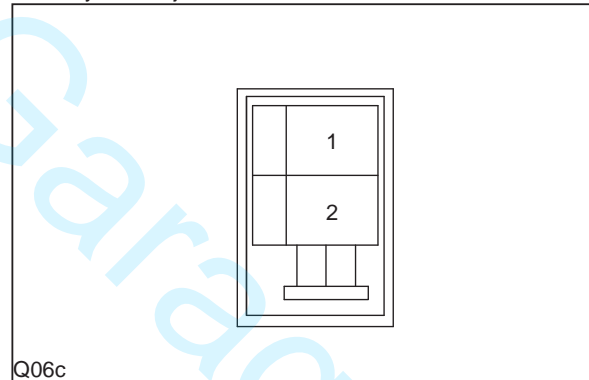


Q05c

Q05c Pin Definition

Pin Number	Wire Width / Color	Function
1	1.25 R/W	Signal +
2	1.25 R/B	Signal -

NO.2 Cylinder Injector Connector



Q06c

Q06c Pin Definition

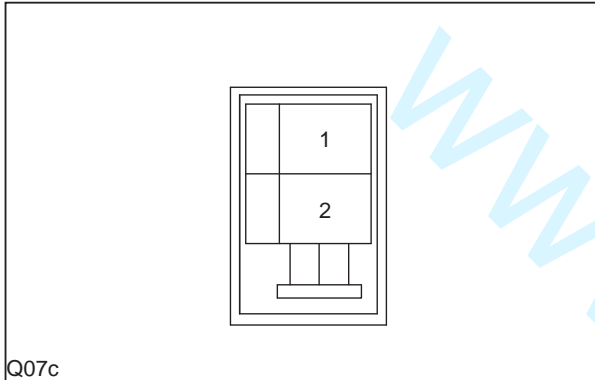
Pin Number	Wire Width / Color	Function
1	1.25 O/B	Power +
2	1.25 O/W	Power -



# Harness Connector View

Engine Harness Connector (E--)

NO.3 Cylinder Injector Connector

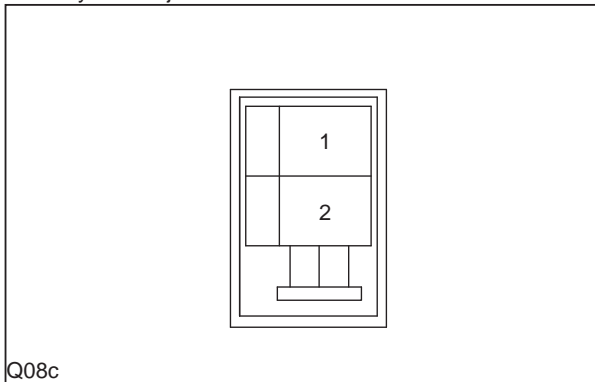


Q07c

Q07c Pin Definition

Pin Number	Wire Width / Color	Function
1	1.25 G/Bl	Power +
2	1.25 G/O	Power -

NO.4 Cylinder Injector Connector



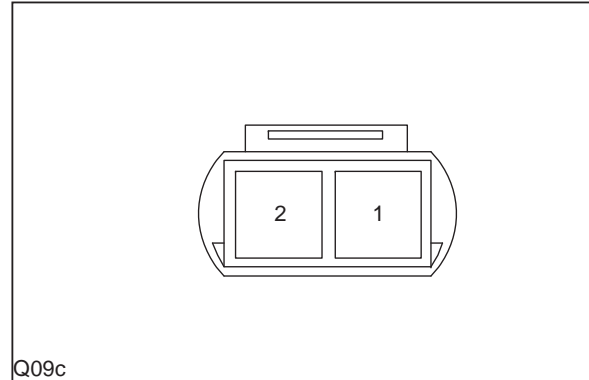
Q08c

Q08c Pin Definition

Pin Number	Wire Width / Color	Function
1	1.25 P/Y	Power +
2	1.25 P/R	Power -

Engine Harness Connector (E--)

Coolant temperature Sensor Connector

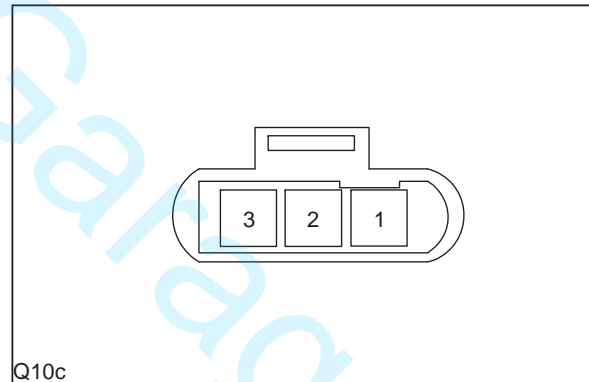


Q09c

Q09c Pin Definition

Pin Number	Wire Width / Color	Function
1	0.50 Gr	Ground
2	0.50 V/B	Signal

Fuel Rail Pressure Sensor Connector



Q10c

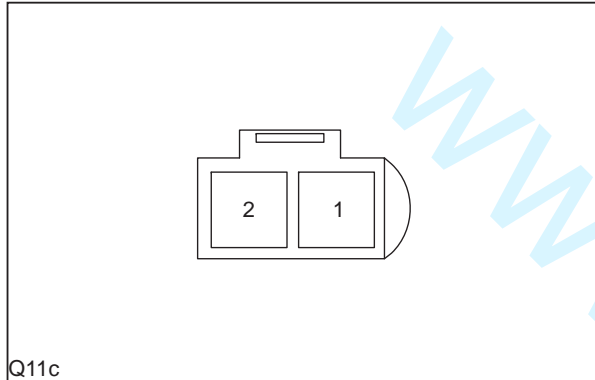
Q10c Pin Definition

Pin Number	Wire Width / Color	Function
1	0.50 R/V	Ground
2	0.50 B/V	Signal
3	0.50 O/Y	Power

# Harness Connector View

Engine Harness Connector (E--)

Reverse Turning Bed Solenoid Valve Connector

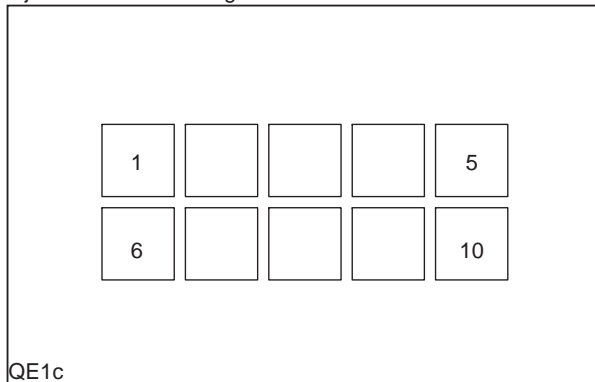


Q11c

Q11c Pin Definition

Pin Number	Wire Width / Color	Function
1	0.85 Bl/R	Power
2	0.85 B/W	Signal

Injector Harness to Engine Harness Connector



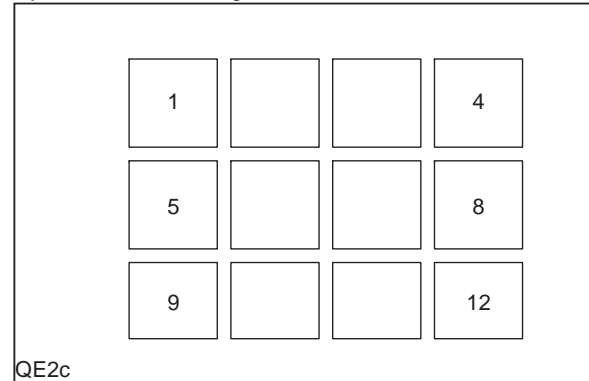
QE1c

QE1c Pin Definition

Pin Number	Wire Width / Color	Function
1	1.25 R/W	NO.1 cylinder injector control signal +
2	1.25 O/B	NO.2 cylinder injector control signal +
3	1.25 G/Bl	NO.3 cylinder injector control signal +
4	1.25 P/Y	NO.4 cylinder injector control signal +
5	0.85 Bl/R	Power
6	1.25 R/B	NO.1 cylinder injector control signal -
7	1.25 O/W	NO.2 cylinder injector control signal -
8	1.25 G/O	NO.3 cylinder injector control signal -
9	1.25 P/R	NO.4 cylinder injector control signal -
10	0.85 B/W	Reverse turning bed solenoid valve signal

Engine Harness Connector (E--)

Injector Harness to Engine Harness Connector



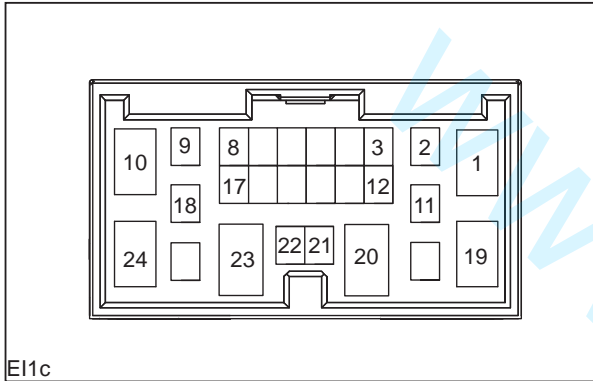
QE2c

QE2c Pin Definition

Pin Number	Wire Width / Color	Function
1	0.50 V/O	Panel turnover position sensor signal
2	0.85 Gr/O	Intake VVT valve signal
3	0.50 Gr/R	Intake Pressure sensor signal
4	0.50 R/V	Fuel rail pressure sensor ground
5	0.50 V/B	Fuel rail pressure sensor power
6	0.85 Bl/R	Power
7	0.50 Gr	Signal ground
8	0.50 B/V	Fuel rail pressure sensor signal
9		NC
10	0.50 V/Y	Oil pressure sensor signal
11	0.50 R/W	Power
12	0.50 O/Y	Fuel rail pressure sensor power

# Harness Connector View

Engine Harness Connector (E--)  
Engine Harness to I/P Harness Connector

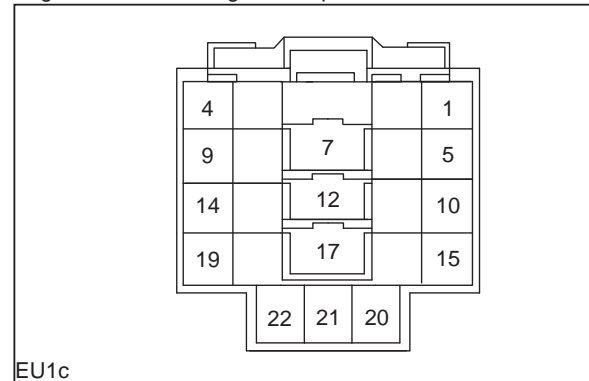


E11c

E11c Pin Definition

Pin Number	Wire Width / Color	Function
1		NC
2	0.50 Br/Y	PCAN-L
3	0.50 O/Y	Rear oxygen sensor signal
4	0.50 G/Bl	Ground
5		NC
6		NC
7		NC
8	0.50 P	Brake switch signal(Normally ON)
9		NC
10	0.85 R/Y	Compressor Control Valve +
11	0.50 Br/G	PCAN-H
12		NC
13	0.50 R/V	Charging indicator signal
14	0.50 V/Y	Oil pressure switch signal(low)
15		NC
16	0.50 Br/Y	Oil pressure switch signal(high)
17	0.50 Br/W	Brake switch signal(Normally OFF)
18	0.50 O/V	Rear oxygen heting control signal
19		NC
20	0.50 R/G	IG1 power
21	0.50 V/W	Ground
22	0.50 O	Cruise control switch signal
23		NC
24	0.85 R/W	A/C compressor Control Valve -

Engine Harness Connector (E--)  
Engine Harness to Engine Compartment Harness Connector



EU1c

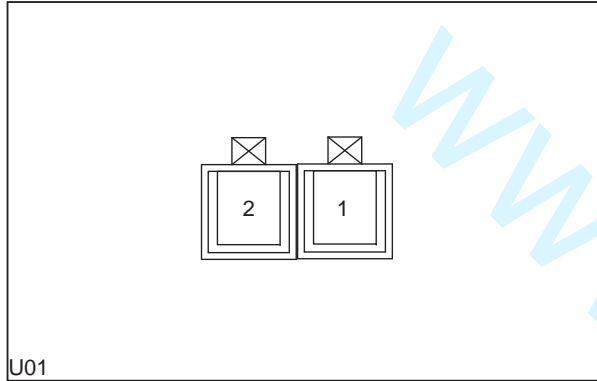
EU1c Pin Definition

Pin Number	Wire Width / Color	Function
1	0.50 Gr/V	High speed fan control signal
2	0.50 Gr/Bl	Compressor relay control signal
3	0.50 Gr/Y	Fuel pump control
4	0.50 Gr/O	Low speed fan control signal
5	0.50 Y	Main relay control signal
6	0.85 R/V	A/C compressor relay output power
7	2.00 B/Y	Stator power
8	0.85 Bl/Y	Front oxygen sensor power
9		NC
10	0.50 G	A/C medium switch signal input
11	0.50 R/G	A/C switch signal input
12	2.00 Bl/R	Main relay power
13	2.00 R	Battery power
14		NC
15	1.25 B	Ground
16		NC
17	2.00 R/G	Ignition coil power
18	1.25 Bl/R	Electronics water pump power
19	0.50 V	Electronics water pump relay control
20		NC
21		NC
22		NC

# Harness Connector View

Engine Compartment Harness Connector (U--)

Bass Horn Connector

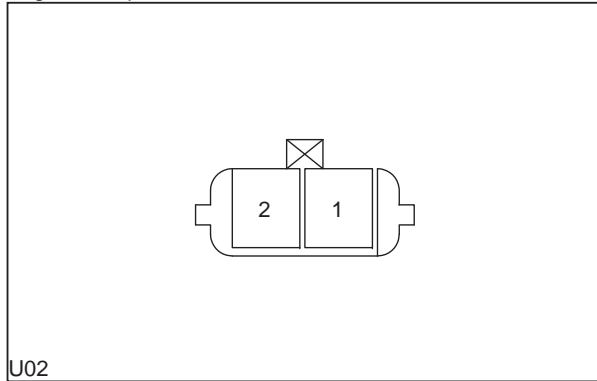


U01

U01 Pin Definition

Pin Number	Wire Width / Color	Function
1	1.25 G	Power
2	1.25 B	Ground

Engine Compartment Cover Switch Connector



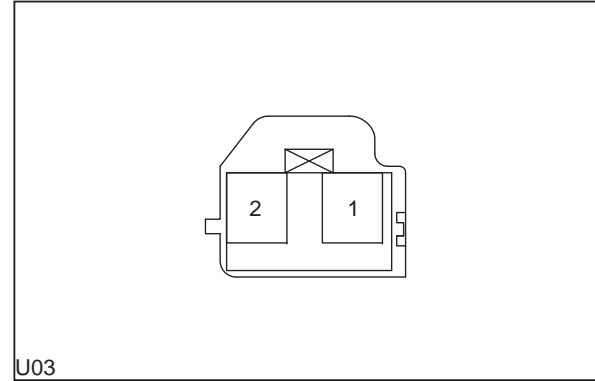
U02

U02 Pin Definition

Pin Number	Wire Width / Color	Function
1	0.50 B	Ground
2	0.50 G/O	Signal

Engine Compartment Harness Connector (U--)

Outside Temperature Sensor Connector

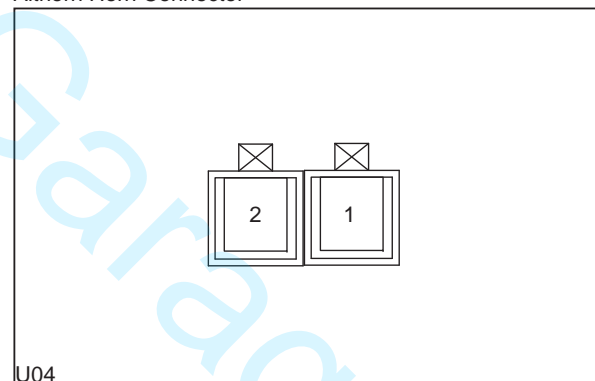


U03

U03 Pin Definition

Pin Number	Wire Width / Color	Function
1	0.50 V/G	Signal +
2	0.50 V/B	Signal -

Althorn Horn Connector



U04

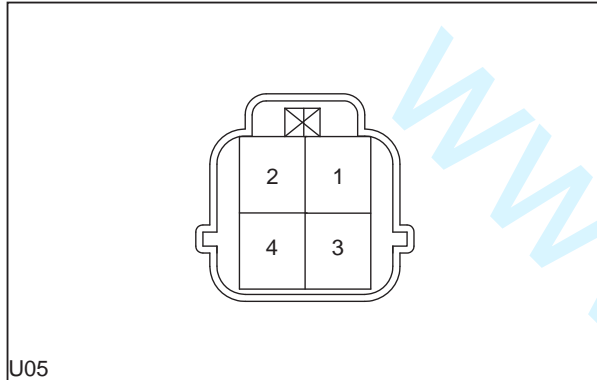
U04 Pin Definition

Pin Number	Wire Width / Color	Function
1	1.25 G	Power
2	1.25 B	Ground

# Harness Connector View

Engine Compartment Harness Connector (U--)

LF Collision Sensor Connector

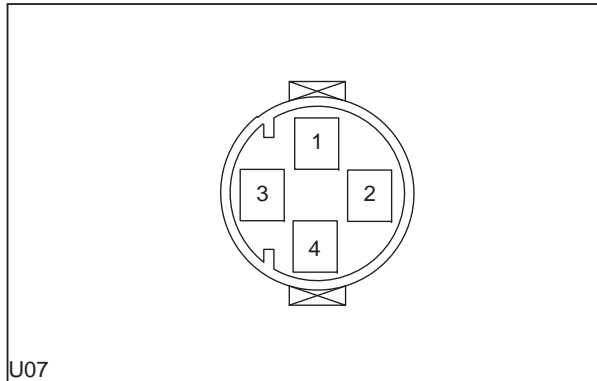


U05

U05 Pin Definition

Pin Number	Wire Width / Color	Function
1	0.50 G/B	Ground
2	0.50 G/Y	Signal
3	0.50 G/R	Power
4	0.50 G/B	Ground

Fan Connector



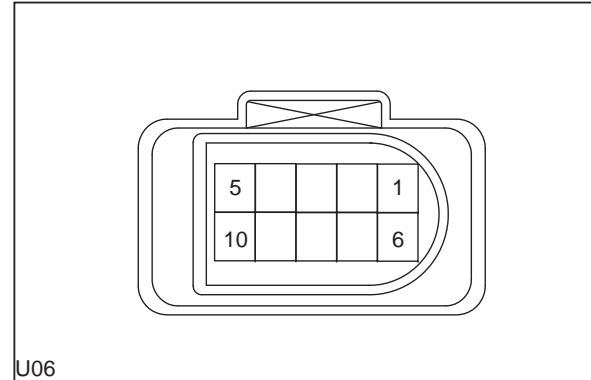
U07

U07 Pin Definition

Pin Number	Wire Width / Color	Function
1	3.00 W	Low speed fan power output
2	3.00 W/G	High speed fan power output
3	3.00 B	Ground
4	3.00 W/R	High speed fan relay power output

Engine Compartment Harness Connector (U--)

Front Combination Lamp (Left) Connector



U06

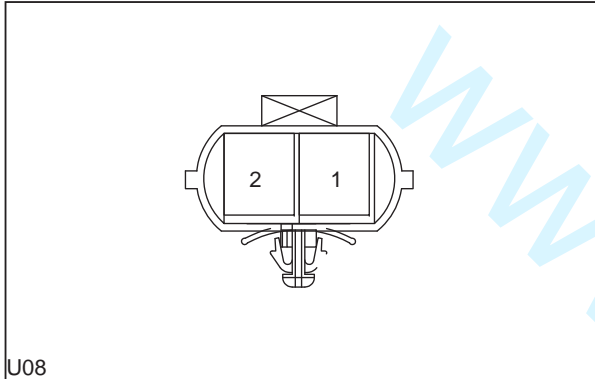
U06 Pin Definition

Pin Number	Wire Width / Color	Function
1	0.50 B	Width lamp ground
2	0.50 Y/G	Turn left lamp power
3	0.50 P/BI	Width lamp power
4		NC
5		NC
6	1.25 B	Ground
7	0.50 G/R	Low beam lamp axle adjusting signal
8	1.25 R/Y	Lamp adjusting motor return power
9	1.25 R/Y	Low beam lamp power
10	0.85 V	High / low beam lamp change over control

# Harness Connector View

Engine Compartment Harness Connector (U--)

LF Daytime Running Lamp Connector

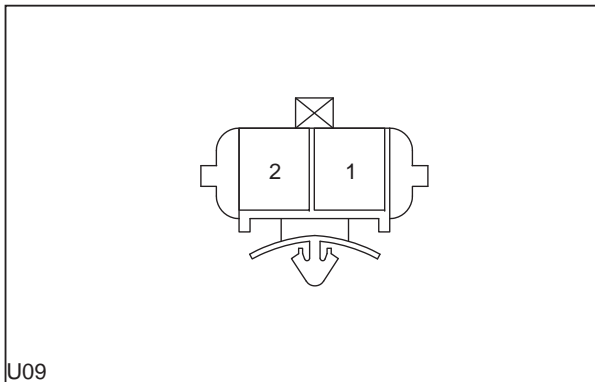


U08

U08 Pin Definition

Pin Number	Wire Width / Color	Function
1	0.50 B	Ground
2	0.50 Br/W	Power

LF Tire Pressure Antenna Connector



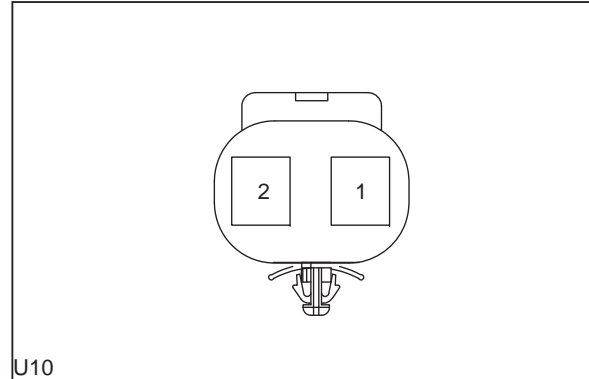
U09

U09 Pin Definition

Pin Number	Wire Width / Color	Function
1	0.50 Y/G	TPMS antenna signal -
2	0.50 Y/B	TPMS antenna signal +

Engine Compartment Harness Connector (U--)

LF Wheel Speed Sensor Connector

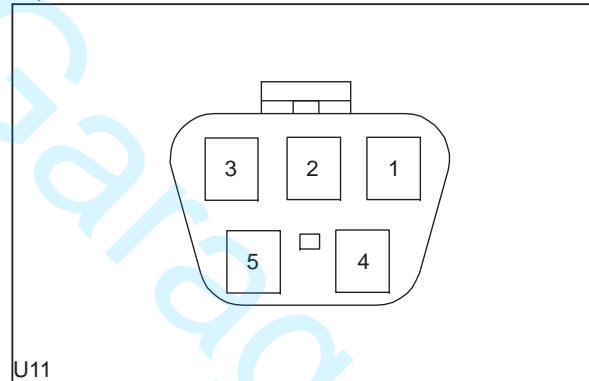


U10

U10 Pin Definition

Pin Number	Wire Width / Color	Function
1	0.50 Br/W	Signal +
2	0.50 Br/Y	Signal -

Wiper Motor Connector



U11

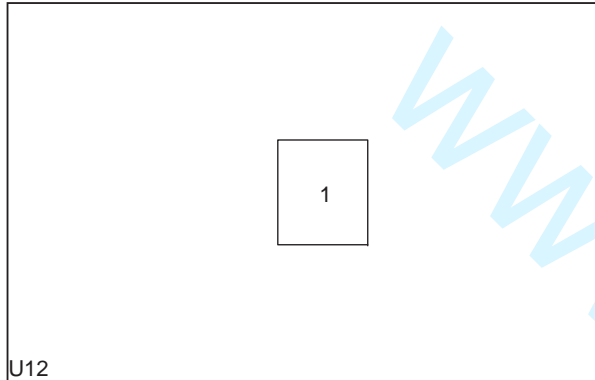
U11 Pin Definition

Pin Number	Wire Width / Color	Function
1	0.50 Y/BI	Wiper return signal
2		NC
3	1.25 G/BI	Wiper low speed power
4	1.25 B	Ground
5	1.25 G/Y	Wiper high speed power

# Harness Connector View

## Engine Compartment Harness Connector (U--)

### IP Fuse And Box Power Connector

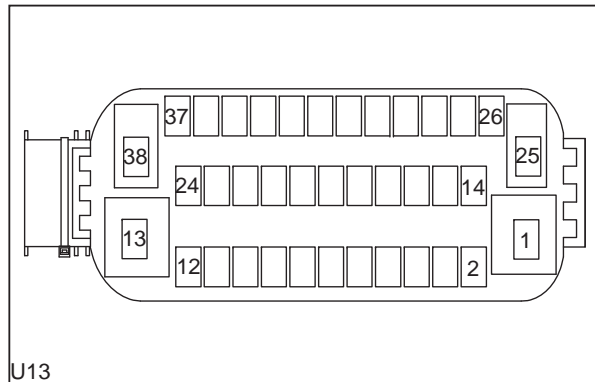


U12

### U12 Pin Definition

Pin Number	Wire Width / Color	Function
1	8.00 R/W	Power

### ABS/ESP HCU Connector



U13

### U13 Pin Definition

Pin Number	Wire Width / Color	Function
1	4.00 R	ABS/ESP motor power
2	0.50 Y/V	Wheel speed signal output
3		NC
4	0.50 Br/B	RF wheel speed sensor signal -
5		NC
6		NC
7		NC
8	0.50 Br/Y	LF wheel speed sensor signal -
9		NC

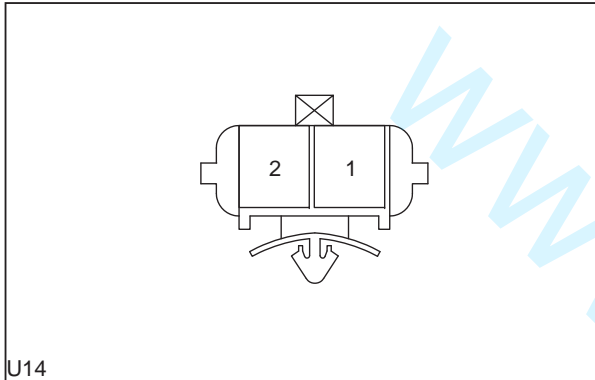
## Engine Compartment Harness Connector (U--)

10		NC
11		NC
12	0.50 Y/R	ESP switch signal
13	4.00 B	Ground
14	0.50 Y/B	PCAN-L
15		NC
16	0.50 Br/O	RF wheel speed sensor signal +
17	0.50 Br/P	RR wheel speed sensor signal +
18	0.50 Br/Bl	LR wheel speed sensor signal -
19	0.50 Br/W	LF wheel speed sensor signal +
20	0.50 O	Yaw Rate Sensor signal -
21		NC
22		NC
23		NC
24		NC
25	3.00 R/O	ABS solenoid valve power
26	0.50 Y	PCAN-H
27		NC
28	0.50 R/W	ABS/ESP ECU power
29	0.50 Br/G	RR wheel speed sensor signal -
30	0.50 W	Brake switch power output(normally ON)
31	0.50 Br/Gr	LR wheel speed sensor signal +
32		NC
33	0.50 O/B	Yaw Rate Sensor signal +
34		NC
35		NC
36		NC
37		NC
38	2.00 B	Ground

# Harness Connector View

Engine Compartment Harness Connector (U--)

RF Tire Pressure Antenna Connector

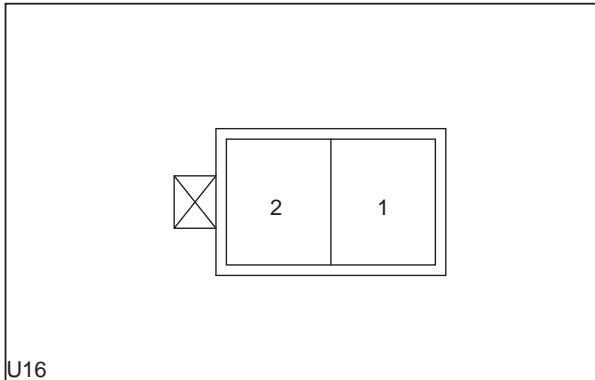


U14

U14 Pin Definition

Pin Number	Wire Width / Color	Function
1	0.50 Y	TPMS antenna signal -
2	0.50 Y/Gr	TPMS antenna signal +

Brake Fluid Level Switch Connector



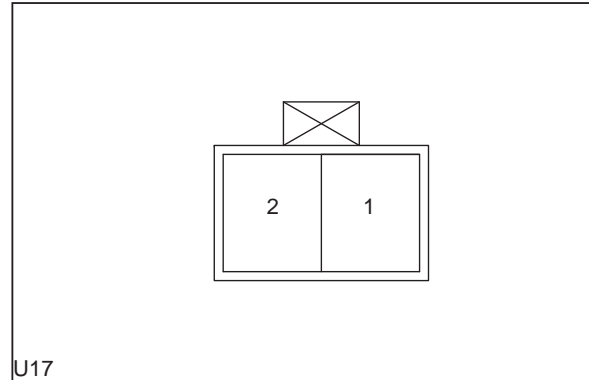
U15

U15 Pin Definition

Pin Number	Wire Width / Color	Function
1	0.50 G	Signal +
2	0.50 B	Signal -

Engine Compartment Harness Connector (U--)

Washer Motor Connector

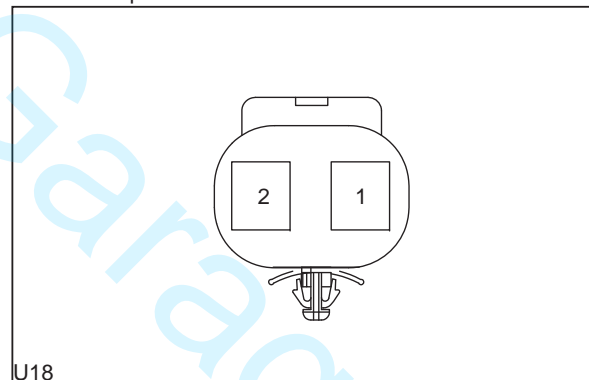


U16

U16 Pin Definition

Pin Number	Wire Width / Color	Function
1	0.50 B	Ground
2	0.50 Bl/R	Power

RF Wheel Speed Sensor Connector



U18

U18 Pin Definition

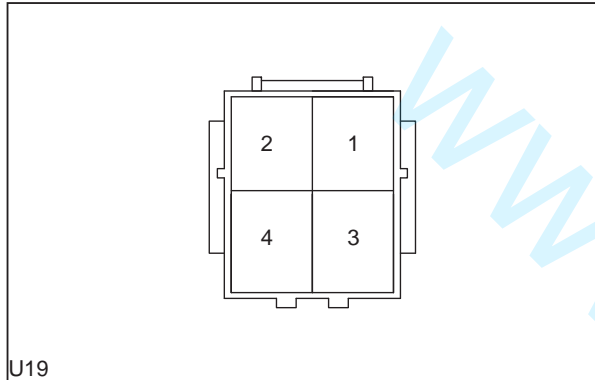
Pin Number	Wire Width / Color	Function
1	0.50 Br/O	Signal +
2	0.50 Br/B	Signal -



# Harness Connector View

## Engine Compartment Harness Connector (U--)

### A/C Pressure Switch Connector

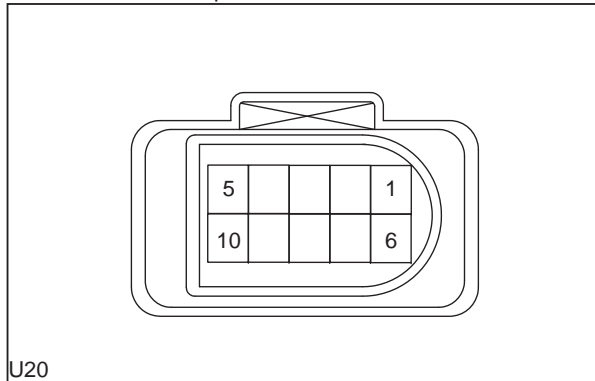


U19

### U19 Pin Definition

Pin Number	Wire Width / Color	Function
1	0.50 R/Y	Medium pressure signal input
2	0.50 B	Ground
3	0.50 Br/W	A/C request signal input
4	0.50 Y/G	A/C request signal

### RF Combination Lamp Connector



U20

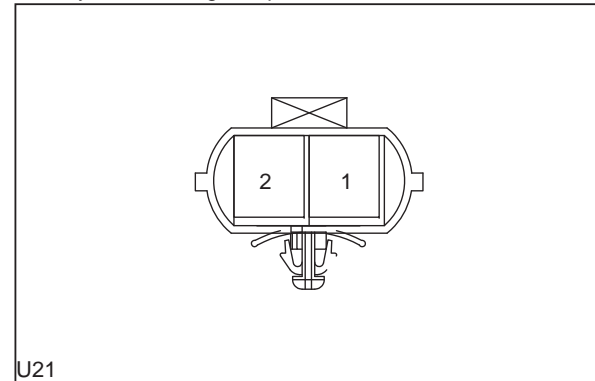
### U20 Pin Definition

Pin Number	Wire Width / Color	Function
1	0.50 B	Ground
2	0.50 R/Y	Turn right lamp power
3	0.50 P/BI	Width lamp power
4		NC
5		NC
6	1.25 B	Ground
7	0.50 G/R	Low beam lamp axle adjust signal

## Engine Compartment Harness Connector (U--)

8	1.25 R/Y	Lamp modulation motor return power
9	1.25 R/Y	Low beam lamp power
10	0.85 V	High / low beam lamp change over control

### RF Daytime Running Lamp Connector

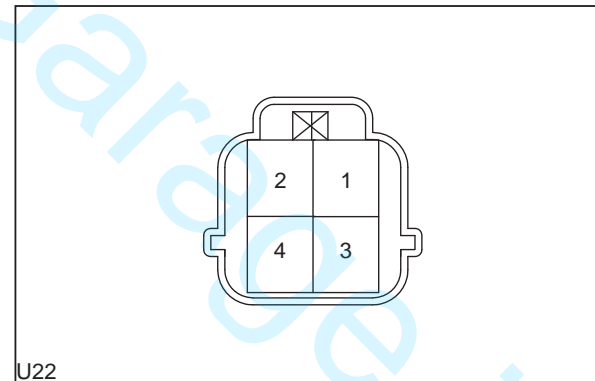


U21

### U21 Pin Definition

Pin Number	Wire Width / Color	Function
1	0.50 B	Ground
2	0.50 Br/W	Power

### RF Collision Sensor Connector



U22

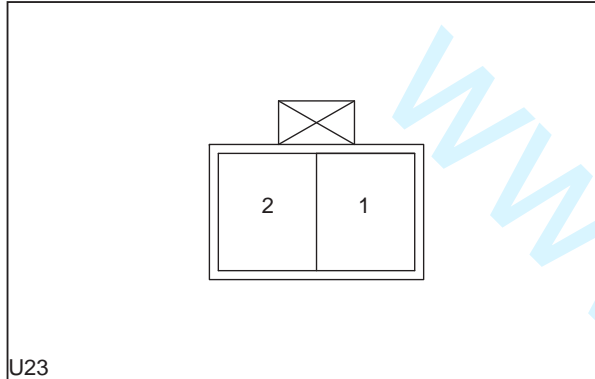
### U22 Pin Definition

Pin Number	Wire Width / Color	Function
1	0.50 G/B	Ground
2	0.50 G/Y	Signal
3	0.50 G/R	Power
4		NC

# Harness Connector View

Engine Compartment Harness Connector (U--)

EPS ECU Connector



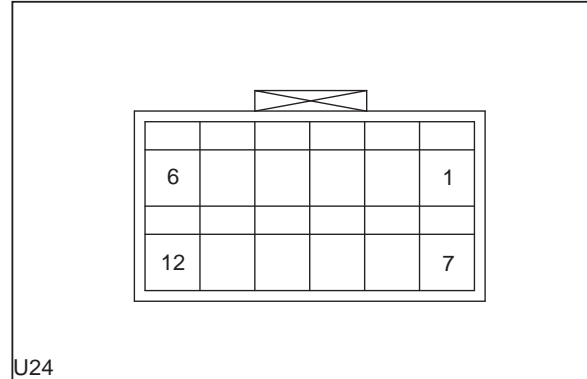
U23

U23 Pin Definition

Pin Number	Wire Width / Color	Function
1	4.00 R	Power
2	4.00 B	Ground

Engine Compartment Harness Connector (U--)

TCU-1 Connector



U24

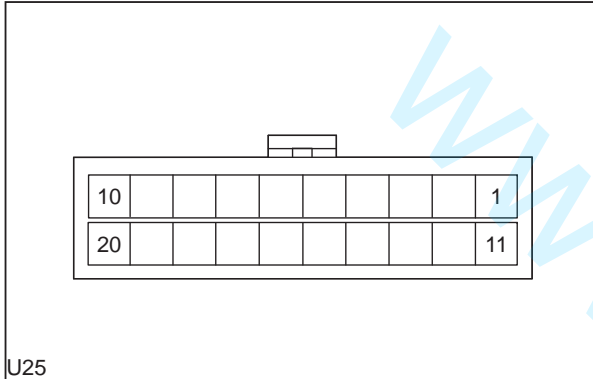
U24 Pin Definition

Pin Number	Wire Width / Color	Function
1		NC
2		NC
3	0.50 BI	Manual model changing over signal -
4		NC
5		NC
6		NC
7		NC
8		NC
9	0.50 Y	Manual model changing over signal +
10		NC
11		NC
12		NC

# Harness Connector View

Engine Compartment Harness Connector (U--)

TCU-2 Connector



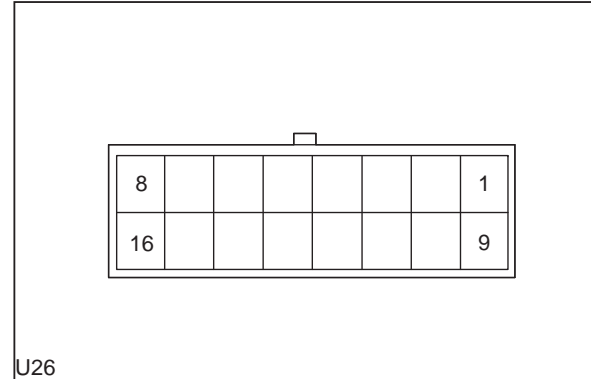
U25

U25 Pin Definition

Pin Number	Wire Width / Color	Function
1	0.50 Y	PCAN-H
2	0.50 G	P gear unlock +
3	0.50 O/B	Oil temperature sensor signal
4	0.50 W/Bl	Gear width signal
5	0.50 V	Snow model switch signal
6		NC
7	0.50 G/R	EMM line
8	0.50 Gr/Y	Input shaft speed sensor signal
9	0.50 Br/R	EMM speed sensor power
10	0.50 V/B	Output shaft speed sensor signal
11	0.50 Y/B	PCAN-L
12		NC
13	0.50 B/R	Oil temperature sensor signal
14	0.50 R/Y	Gear width signal ground
15		NC
16	0.50 W	Switch signal ground
17	0.50 Y/B	EMM clock
18		NC
19	0.50 Bl/R	EMM speed sensor ground
20		NC

Engine Compartment Harness Connector (U--)

TCU-3 Connector



U26

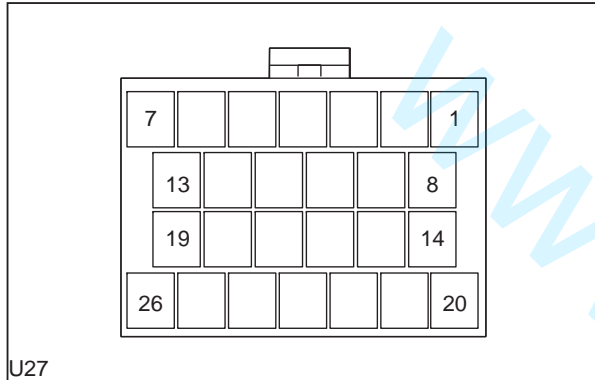
U26 Pin Definition

Pin Number	Wire Width / Color	Function
1	1.25 B	Ground
2	1.25 B/W	Ground
3	0.50 G/W	VBS 6 control
4	0.50 W/R	VBS 5 control
5	0.50 Br/W	VBS 8 control
6	0.50 Y/R	VBS 7 control
7	0.50 Gr/R	VBS 10 control
8	0.50 Bl/W	VBS 9 control
9	1.25 R	Power
10	1.25 V/W	Ground
11		NC
12		NC
13	0.50 W/B	Switch solenoid vavle control 3
14	0.50 R/B	Switch solenoid vavle control 4
15	1.25 O/W	Switch solenoid vavle control 1
16	1.25 B/Y	Switch solenoid vavle control 2

# Harness Connector View

Engine Compartment Harness Connector (U--)

Solenoid/Vavle Connector



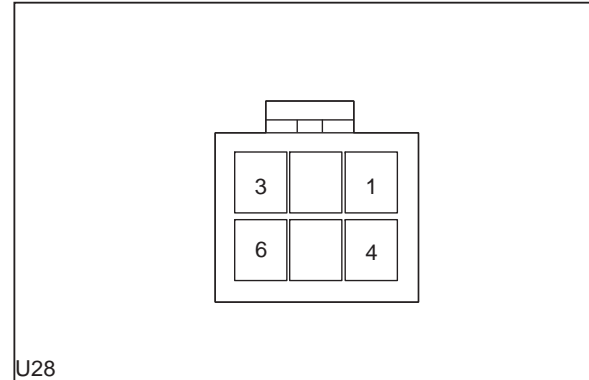
U27

U27 Pin Definition

Pin Number	Wire Width / Color	Function
1	1.25 B/W	Ground
2	0.50 W/R	VBS 5 control
3	0.50 G/W	VBS 6 control
4	0.50 Y/R	VBS 7 control
5	0.50 Br/W	VBS 8 control
6	0.50 Bl/W	VBS 9 control
7	0.50 Gr/R	VBS 10 control
8	0.50 Bl/R	EMM speed sensor ground
9	0.50 Br/R	EMM speed sensor power
10	0.50 V/B	Output shaft speed sensor signal
11	0.50 Gr/Y	Input shaft speed sensor signal
12	0.50 G/R	EMM line
13	0.50 Y/B	EMM clock
14		NC
15		NC
16		NC
17		NC
18		NC
19		NC
20	1.25 V/W	Ground
21	1.25 O/W	Switch solenoid vavle control 1
22	0.85 B/Y	Switch solenoid vavle control 2
23	0.50 W/B	Switch solenoid vavle control 3
24	0.50 R/B	Switch solenoid vavle control 4
25	0.50 B/R	Oil temperature sensor signal -
26	0.50 O/B	Oil temperature sensor signal +

Engine Compartment Harness Connector (U--)

Gear Position Switch Connector



U28

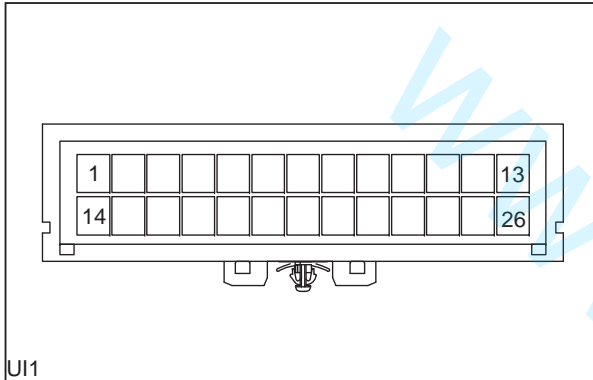
U28 Pin Definition

Pin Number	Wire Width / Color	Function
1	0.50 B	P/N gear ground
2	0.50 V/R	P/N gear input signal
3	0.50 Br/Y	R gear output signal
4	0.50 B	Reverse lamp switch ground
5	0.50 W/Bl	TCU gear width signal
6	0.50 R/Y	TCU gear width signal ground

# Harness Connector View

Engine Compartment Harness Connector (U--)

Engine Compartment Harness to IP Harness Connector



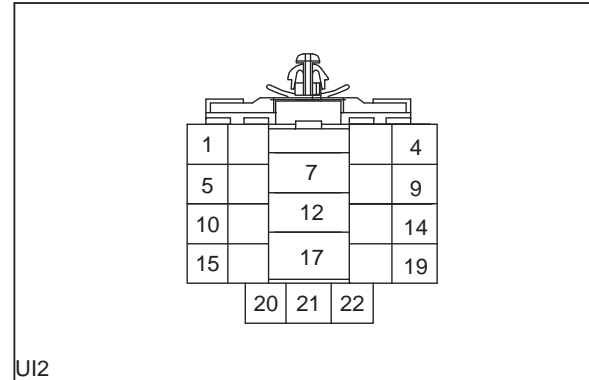
U11

U11 Pin Definition

Pin Number	Wire Width / Color	Function
1	0.50 B/Y	Stator relay power return signal
2	0.50 R	Stator relay power
3	0.50 Y/Gr	RF TPMS antenna +
4	0.50 Y/B	LF TPMS antenna +
5	0.50 G/R	Front collision sensor power
6	0.50 O	Low beam lamp relay control
7	0.50 R/Y	Turn right lamp power
8	0.50 G/R	Low beam lamp axle adjust signal
9	0.50 Br/W	Daytime running lamp power
10	0.50 BI/R	Washer power
11	1.25 G/BI	Wiper motor low speed power
12	0.50 V/G	Outside temperature sensor signal
13	0.50 Y/G	A/C request signal
14	0.50 W	Brake switch power output(normally ON)
15	0.50 O/R	Rear oxygen sensor power
16	0.50 Y	RF TPMS antenna -
17	0.50 Y/G	LF TPMS antenna -
18	0.50 R/Y	Low beam lamp axle adjust power
19	0.85 V	Left high beam lamp power
20	0.50 Y/G	Turn left lamp power
21	0.50 P/BI	Front width lamp power
22	0.50 G/O	Engine compartment cover switch signal
23	0.50 Y/BI	Wiper motor return signal
24	1.25 G/Y	Wiper motor high speed power
25	0.50 V/B	Ground
26		NC

Engine Compartment Harness Connector (U--)

Engine Compartment Harness to IP Harness Connector



U12

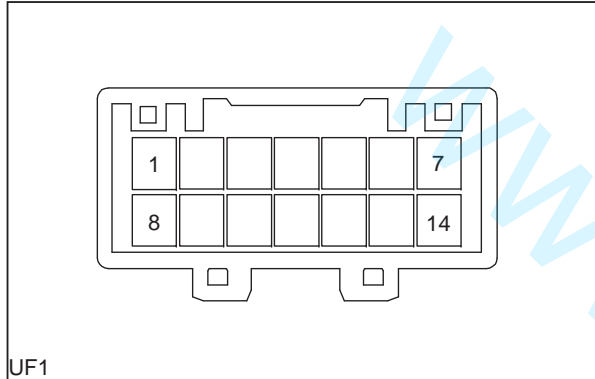
U12 Pin Definition

Pin Number	Wire Width / Color	Function
1	0.50 O	Yaw Rate Sensor signal -
2	0.50 R/W	ABS HCU power
3	0.50 G	Brake fluid level switch signal
4	0.50 Br/G	RR wheel speed sensor signal -
5	0.50 Y/B	PCAN-L
6	0.50 Y	PCAN-H
7	1.25 R	IG1 power
8	0.50 W	Horn relay switch control
9	0.50 Br/P	RR wheel speed sensor signal
10	0.50 Y/R	ESP switch signal
11	0.50 Y/V	Wheel speed signal output
12		NC
13	0.50 O/B	Yaw Rate Sensor signal +
14	0.50 G	P gear unlock +
15	0.50 V/R	TCU controller N gear signal
16	0.50 Br/Y	TCU controller R gear signal
17		NC
18	0.50 W	P gear unlock -
19	0.50 Y	Manual model signal over +
20	0.50 V	Snow model switch signal
21		NC
22	0.50 BI	Manual model signal over -

# Harness Connector View

Engine Compartment Harness Connector (U--)

Engine Compartment Harness to Left Body Harness Connector

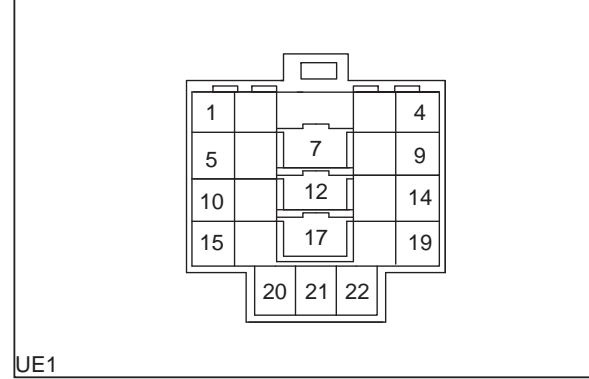


UF1 Pin Definition

Pin Number	Wire Width / Color	Function
1	0.50 G/B	Ground
2	0.50 G/Y	Front collision sensor signal
3		NC
4		NC
5		NC
6	2.00 Y	Fuel pump power
7	0.50 Br/Gr	LR wheel speed sensor signal +
8	0.50 G/R	Power
9		NC
10		NC
11		NC
12		NC
13		NC
14	0.50 Br/Bl	LR wheel speed sensor signal -

Engine Compartment Harness Connector (U--)

Engine Compartment Harness to Engine Harness Connector



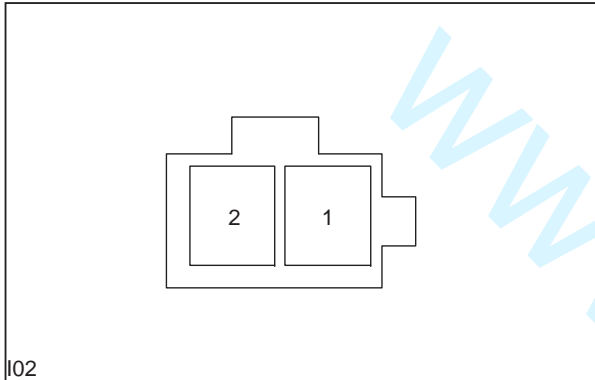
UE1 Pin Definition

Pin Number	Wire Width / Color	Function
1	0.50 Bl/G	Adjust speed fan relay ECU control
2	0.50 Y/R	A/C compressor control signal
3	0.50 Y/W	Fuel pump control
4	0.50 Y/V	Low speed fan control signal
5	0.50 R/B	Main relay control signal
6	1.25 G	A/C compressor relay power output
7	3.00 R	Stator relay power output
8	0.50 O	Front oxygen sensor power
9		NC
10	0.50 R/Y	A/C medium switch signal input
11	0.50 Br/W	A/C switch signal input
12	2.00 R/G	Main relay power
13	0.85 R	ECM power
14		NC
15	1.25 B	Ground
16		NC
17	2.00 R/W	Ignition coil power
18	1.25 R/Bl	Electronics water pump power
19	0.50 Y/G	Electronics water pump relay control
20		NC
21		NC
22		NC

# Harness Connector View

## Instrument Harness Connector (I--)

### LF Speaker Connector

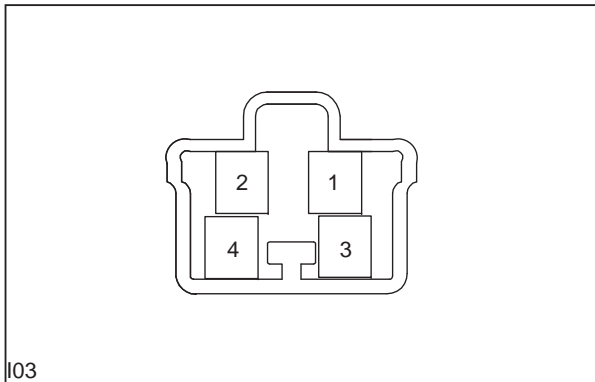


I02

#### I02 Pin Definition

Pin Number	Wire Width / Color	Function
1	0.50 W	Power +
2	0.50 W/B	Power -

### Clutch Switch Connector



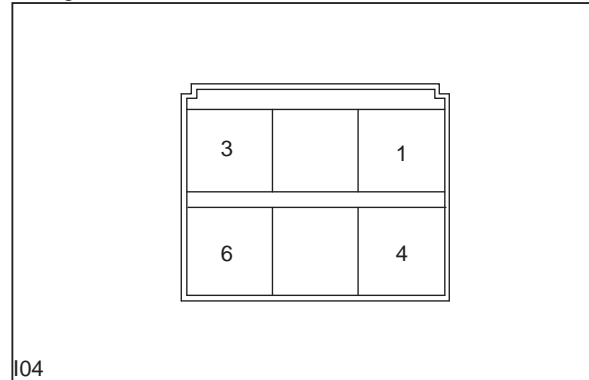
I03

#### I03 Pin Definition

Pin Number	Wire Width / Color	Function
1	0.50 P/B	Signal
2	0.50 B	Ground
3		NC
4		NC

## Instrument Harness Connector (I--)

### Intelligence Breaker Connector

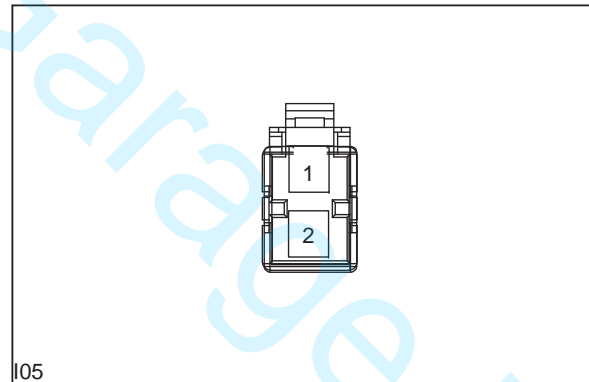


I04

#### I04 Pin Definition

Pin Number	Wire Width / Color	Function
1	0.85 O/B	Power
2	2.00 R/B	Power output
3		NC
4	0.85 B	Ground
5	3.00 R	Power input
6	2.00 R	Power input

### Center Control Box A Connector



I05

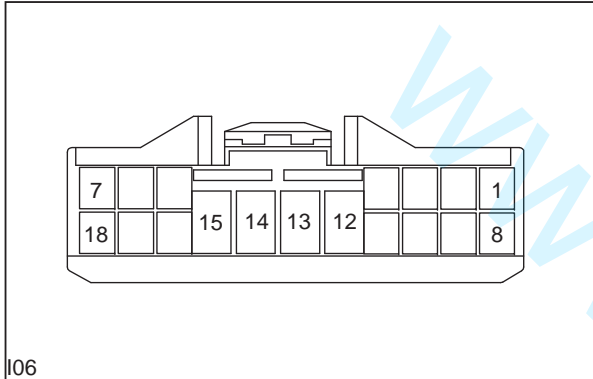
#### I05 Pin Definition

Pin Number	Wire Width / Color	Function
1		NC
2	0.85 O/B	Power

# Harness Connector View

Instrument Harness Connector (I--)

Center Control Box B Connector



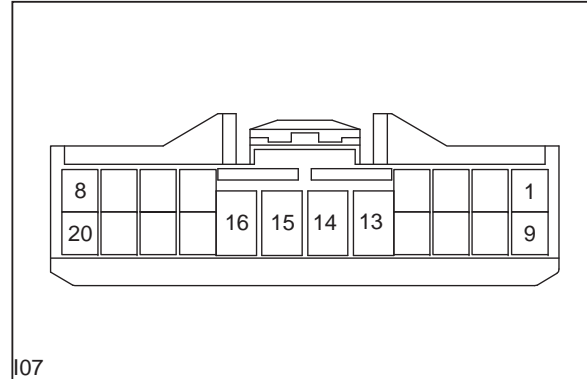
I06

I06 Pin Definition

Pin Number	Wire Width / Color	Function
1		NC
2		NC
3	0.50 R/W	FS33 power output
4		NC
5	0.50 Y/V	Rear defroster relay control signal
6	0.85 B	Ground
7		NC
8		NC
9		NC
10	0.50 B/P	IG1 relay control
11		NC
12	0.50 O/R	FS52 power output
13		NC
14	3.00 R	Blower power
15	2.00 R/W	Rear defroster heating power
16	0.50 O/Bl	IG2 power return signal
17	0.50 Y/G	AC blower relay control
18		NC

Instrument Harness Connector (I--)

Center Control Box C Connector



I07

I07 Pin Definition

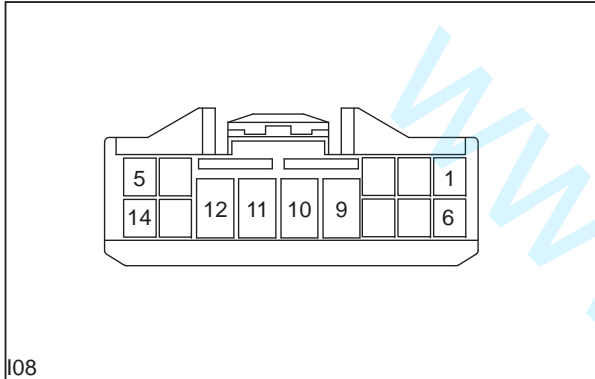
Pin Number	Wire Width / Color	Function
1	1.25 R/W	FS39 power
2	1.25 R/W	FS19 power output
3	0.50 R/W	FS29 power output
4	0.50 W	FS14 power output
5	0.50 R/Y	FS51 power output
6	0.50 O/B	IG1 power return signal
7	0.85 R	FS01 power output
8	0.50 R/W	FS30 power output
9	0.50 G/R	FS48 power output
10	1.25 R/O	FS04 power output
11	0.85 R	FS57 power output
12	0.50 R	FS34 power output
13	1.25 R	FS41 power output
14	3.00 R/G	FS43 power output
15	2.00 R/O	FS27 power output
16	2.00 R	FS18 power output
17	1.25 R/Gr	FS21 power output
18	0.50 R	FS25 power output
19	0.85 R	FS22 power output
20	1.25 R/W	FS06 power output



# Harness Connector View

Instrument Harness Connector (I--)

Center Control Box D Connector



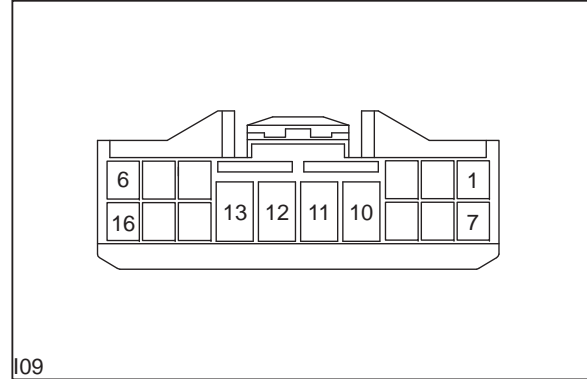
I08

I08 Pin Definition

Pin Number	Wire Width / Color	Function
1		NC
2		NC
3		NC
4		NC
5	0.50 R/W	FS38 power output
6	0.50 B/BI	IG2 relay control
7	0.50 R	FS03 power output
8		NC
9		NC
10	2.00 R/B	FS26 power output
11	2.00 R	FS24 power output
12	2.00 R/W	FS28 power output
13	1.25 R	FS23 power output
14		NC

Instrument Harness Connector (I--)

Center Control Box E Connector



I09

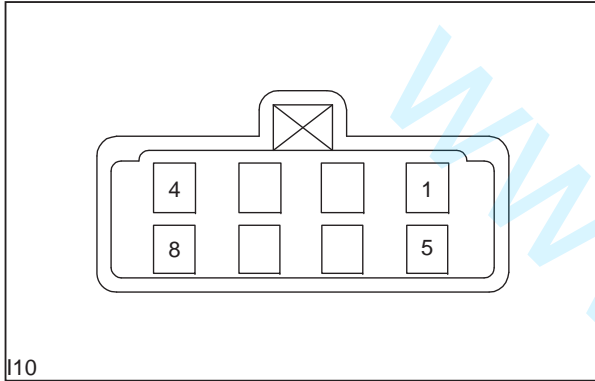
I09 Pin Definition

Pin Number	Wire Width / Color	Function
1		NC
2	1.25 R	FS16 power output
3	0.50 R/Y	FS44 power output
4	0.50 O	ACC power return signal
5		NC
6	1.25 R	FS17 power output
7		NC
8	1.25 R/O	FS12 power output
9	1.25 R/G	FS13 power output
10		NC
11		NC
12	1.25 R	FS32 power output
13	0.85 R	FS02 power output
14	2.00 R/W	FS15 power output
15		NC
16	0.50 B/R	ACC relay control

# Harness Connector View

Instrument Harness Connector (I--)

Center Control Box F Connector

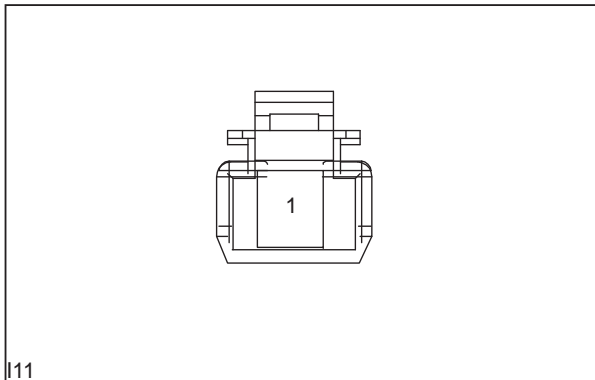


I10

I10 Pin Definition

Pin Number	Wire Width / Color	Function
1	3.00 R	SB05 power output
2		NC
3	0.50 R/Y	FS11 power output
4	2.00 R/O	FS37 power output
5		NC
6	1.25 R	FS36 power output
7	3.00 R/Y	FS42 power output
8	1.25 R/Y	FS31 power output

Center Control Box G Connector



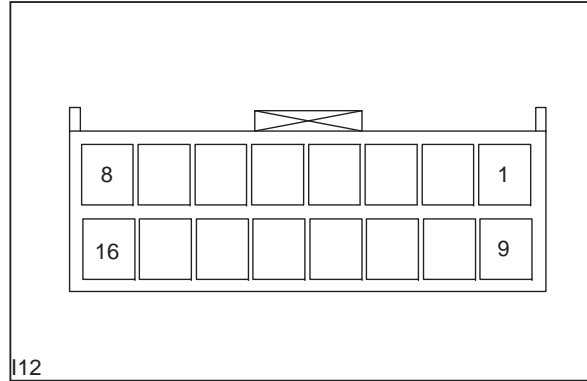
I11

I11 Pin Definition

Pin Number	Wire Width / Color	Function
1	3.00 R/B	Intelligence breaker output

Instrument Harness Connector (I--)

Instrument Panel Switch Connector



I12

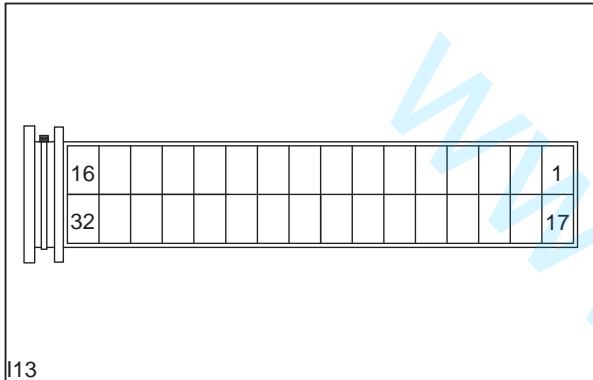
I12 Pin Definition

Pin Number	Wire Width / Color	Function
1	1.25 R	Instrument panel switch power
2		NC
3		NC
4	0.50 B	Ground
5	0.50 Y/R	ESP switch signal
6	0.50 B	Ground
7	0.50 R/G	Trunk ON signal
8	0.50 P/Bl	Width lamp power input
9	0.50 R/Y	Low beam lamp power
10	0.50 G/R	Low beam height adjusting signal
11		NC
12	0.50 V	Width lamp power
13		NC
14		NC
15	0.50 B	Ground
16		NC

# Harness Connector View

## Instrument Harness Connector (I--)

### Instrument Cluster Connector



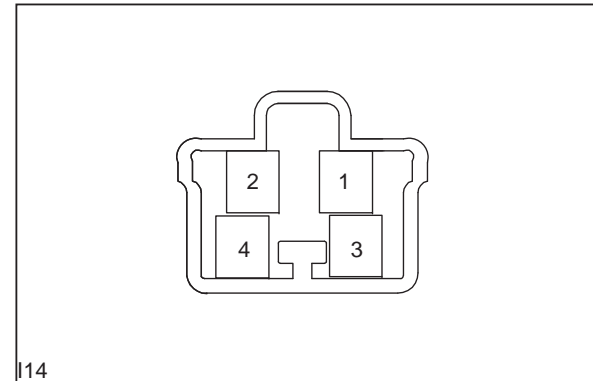
### I13 Pin Definition

Pin Number	Wire Width / Color	Function
1	0.50 R	Battery power
2	0.50 B	Ground
3		NC
4	0.50 G/Bl	Parking brake switch signal
5	0.50 W	BCAN-H
6	0.50 W/B	BCAN-L
7	0.50 G/B	Driver seat belt switch signal
8		NC
9		NC
10	0.50 G/Y	Oil pressure switch signal
11	0.50 V	Width lamp power
12		NC
13		NC
14		NC
15		NC
16	0.50 G/W	Speed signal output
17	0.50 R/W	IG1 power
18	0.50 B	Ground
19	0.50 Br	K-line
20	0.50 W/R	Charging indicator
21	0.50 B	Ground
22	0.50 G/R	Fuel sensor signal
23	0.50 O	Passenger seat belt switch signal
24		NC
25	0.50 G	Brake liquid level switch signal
26	0.50 Y/B	PCAN-L
27	0.50 Y	PCAN-H
28		NC
29		NC
30		NC

## Instrument Harness Connector (I--)

31		NC
32		NC

### Brake Switch Connector



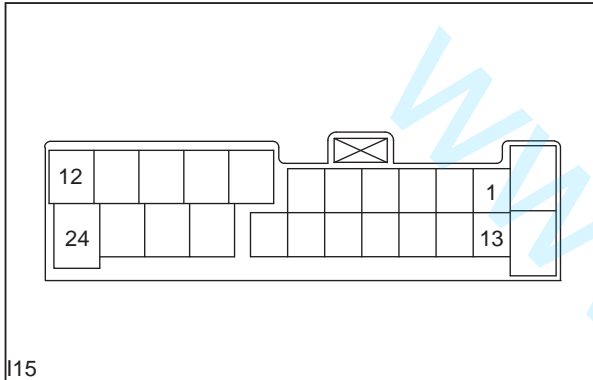
### I14 Pin Definition

Pin Number	Wire Width / Color	Function
1	0.50 R	Battery power
2	0.50 W	Brake switch signal(normally ON)
3	1.25 R/W	IG1 power
4	0.50 V	Brake switch signal(normally OFF)

# Harness Connector View

Instrument Harness Connector (I--)

PEPS ECU-1(Gr/W) Connector

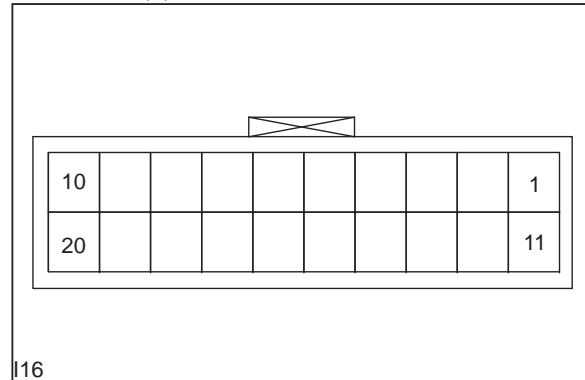


I15 Pin Definition

Pin Number	Wire Width / Color	Function
1	1.25 R/O	Battery power
2		NC
3		NC
4	0.50 W	Brake lamp signal
5		NC
6	0.50 W/G	Start button switch signal 1
7	0.50 B/R	ESCL enable signal
8	0.85 R	PEPS power
9	0.50 G/W	IMMO antenna signal -
10	0.50 W/R	IMMO antenna signal +
11	0.50 V/W	Trunk microswitch signal
12	1.25 B/Y	ESCL Ground
13	1.25 B/O	ESCL power
14	0.50 B/G	ESCL lock states return signal
15	0.50 B/W	LIN
16	0.50 W	BCAN-H
17	0.50 W/B	BCAN-L
18	0.50 O/B	IG1 power return signal
19	0.50 O/B	IG2 power return signal
20	0.50 O	ACC power return signal
21	0.50 B/P	IG1 relay PEPS control
22	0.50 B/B	IG2 relay PEPS control
23	0.50 B/R	ACC relay PEPS control
24	1.25 B	PEPS ECU Ground

Instrument Harness Connector (I--)

PEPS ECU-2(B) Connector



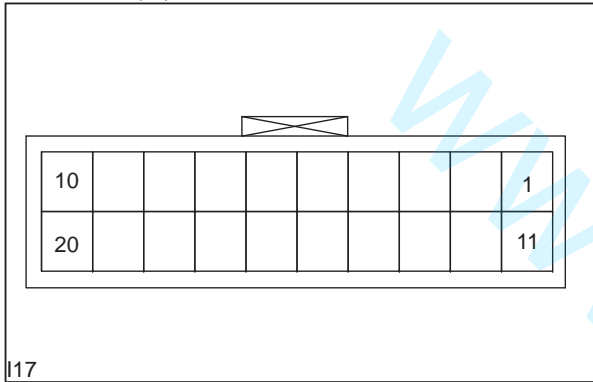
I16 Pin Definition

Pin Number	Wire Width / Color	Function
1		NC
2		NC
3		NC
4		NC
5		NC
6		NC
7		NC
8		NC
9		NC
10		NC
11		NC
12	0.50 Y/W	RR TPMS antenna +
13	0.50 Y/V	RR TPMS antenna -
14	0.50 Y/B	LF TPMS antenna +
15	0.50 Y/G	LF TPMS antenna -
16	0.50 Y/R	LR TPMS antenna +
17	0.50 Gr/R	LR TPMS antenna -
18	0.50 Y/Gr	RF TPMS antenna +
19	0.50 Y	RF TPMS antenna -
20		NC

# Harness Connector View

Instrument Harness Connector (I--)

PEPS ECU-3(Br) Connector



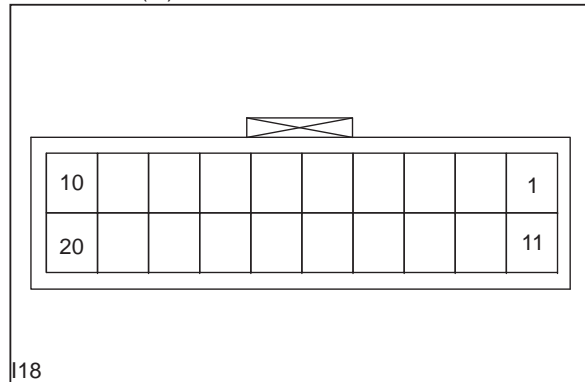
I17

I17 Pin Definition

Pin Number	Wire Width / Color	Function
1	0.50 R	Battery power
2		NC
3	0.50 Y/V	ABS wheel speed signal input
4	0.50 O	P/N gear switch signal
5	0.50 G/V	Startor button switch signal 2
6		NC
7	0.50 G/W	LED power
8	0.50 W/V	LED control 1
9	0.50 G/O	LED control 2
10	0.50 B/Y	Startor relay control signal
11	0.50 G/Br	Ground
12		NC
13		NC
14	0.50 R	Startor relay power
15		NC
16		NC
17		NC
18		NC
19		NC
20	0.50 B	Ground

Instrument Harness Connector (I--)

PEPS ECU-4(BI) Connector



I18

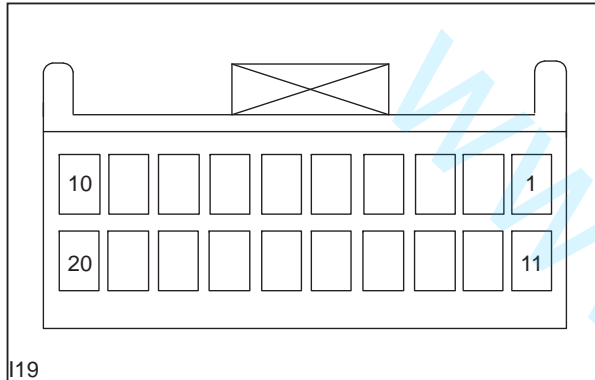
I18 Pin Definition

Pin Number	Wire Width / Color	Function
1		NC
2		NC
3	0.50 Y/G	Ground
4		NC
5	0.50 G/B	LF door antenna signal power
6		NC
7	0.50 Y/W	LF door antenna return signal
8		NC
9	0.50 G/Y	LF door handle microswitch signal
10	0.50 Br/V	Trunk antenna signal +
11		NC
12	0.50 Gr/W	Front antenna signal +
13	0.50 Gr/G	Front antenna signal -
14	0.50 Gr/Bl	Middle antenna signal +
15	0.50 Gr/Y	Middle antenna signal -
16	0.50 W/Y	LF door antenna signal -
17	0.50 Gr	LF door antenna signal +
18	0.50 Gr/O	Rear antenna signal +
19	0.50 Gr/B	Rear antenna signal -
20	0.50 Gr/Br	Trunk antenna signal -

# Harness Connector View

## Instrument Harness Connector (I--)

### RKE-1 Connector



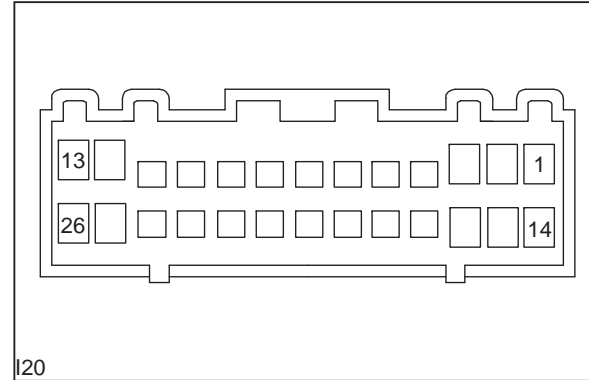
I19

### I19 Pin Definition

Pin Number	Wire Width / Color	Function
1	0.50 B/R	ACC relay control
2	0.50 B/P	IG1 relay control
3	0.50 B/Bl	IG2 relay control
4	0.50 B/Y	Stator relay power return signal
5	0.50 P/B	Clutch switch signal
6	0.50 Gr	Key Insert switch control
7	0.50 O/B	IG1 power return signal
8	0.50 R	Stator relay power
9	0.50 W/B	BCAN-L
10		NC
11	0.50 W/G	Ignition switch ACC relay control
12	0.50 G/V	IG1 relay control
13	0.50 G/Br	IG2 relay control
14	0.50 G/W	Start relay control
15	0.50 W/Y	Ignition switch power
16	0.50 W	Brake lamp signal
17	0.50 O	ACC power return signal
18	0.50 O/Bl	IG2 power return signal
19	0.50 W	BCAN-H
20		NC

## Instrument Harness Connector (I--)

### RKE-2 Connector



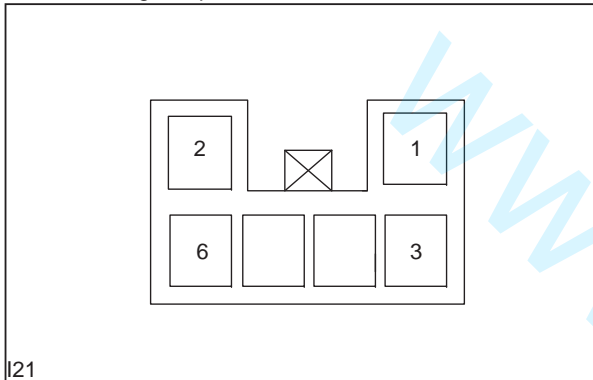
I20

### I20 Pin Definition

Pin Number	Wire Width / Color	Function
1	0.85 R	Battery power
2		NC
3		NC
4		NC
5		NC
6	0.50 Y/R	LR TPMS antenna signal +
7	0.50 Y/B	LF TPMS antenna signal +
8	0.50 Y/W	RR TPMS antenna signal +
9	0.50 Y/Gr	RF TPMS antenna signal +
10	0.50 W/R	IMMO antenna signal +
11	0.50 G/O	Ignition key aperture LED +
12		NC
13	0.50 R	Battery power
14	1.25 B	Ground
15		NC
16		NC
17		NC
18		NC
19	0.50 Gr/R	LR TPMS antenna signal -
20	0.50 Y/G	LF TPMS antenna signal -
21	0.50 Y/V	RR TPMS antenna signal -
22	0.50 Y	RF TPMS antenna signal -
23	0.50 G/W	IMMO antenna signal -
24	0.50 W/V	Ignition key aperture LED -
25		NC
26	0.50 B	Ground

# Harness Connector View

Instrument Harness Connector (I--)  
Hazard Warning Lamp Switch Connector

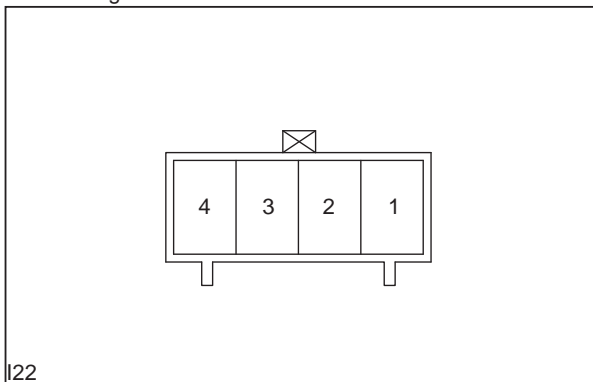


I21

I21 Pin Definition

Pin Number	Wire Width / Color	Function
1	0.85 B	Ground
2	0.50 V	Power
3	0.50 Y/G	Hazard warning lamp switch warning signal
4	0.50 BI	Hazard warning lamp switch signal
5		NC
6	0.85 B	Ground

Ambient Light Sensor Connector

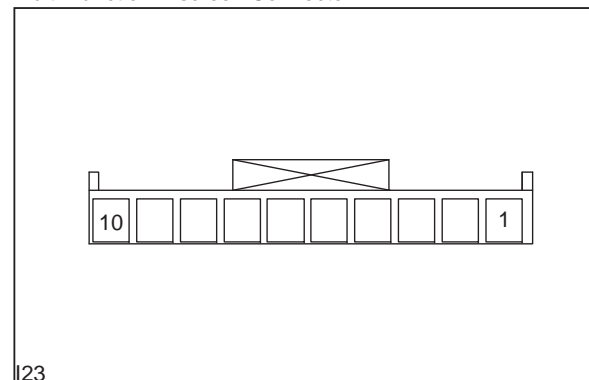


I22

I22 Pin Definition

Pin Number	Wire Width / Color	Function
1	0.50 BI/R	Return signal
2	0.50 BI/Y	Power input
3	0.50 V/Y	Signal
4	0.50 B	Ground

Instrument Harness Connector (I--)  
Multi-Function Discreen Connector



I23

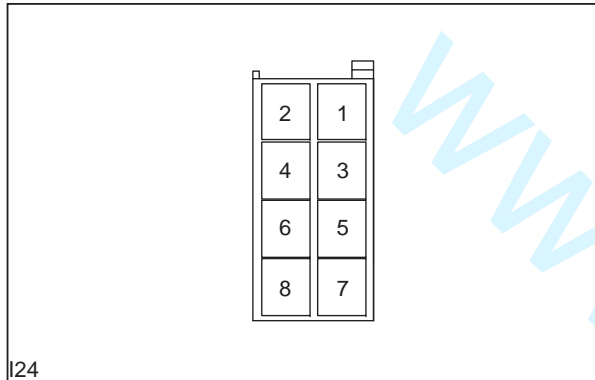
I23 Pin Definition

Pin Number	Wire Width / Color	Function
1	0.50 R	Power
2	0.50 B	Ground
3		NC
4	0.50 R/W	IG1 power
5	0.50 P/BI	Width lamp power
6		NC
7	0.50 G/W	Speed signal
8	0.50 G/B	Driver seat belt switch signal
9	0.50 O	Passenger seat belt switch signal
10	0.50 G/W	K-line

# Harness Connector View

Instrument Harness Connector (I--)

CD-1 Connector



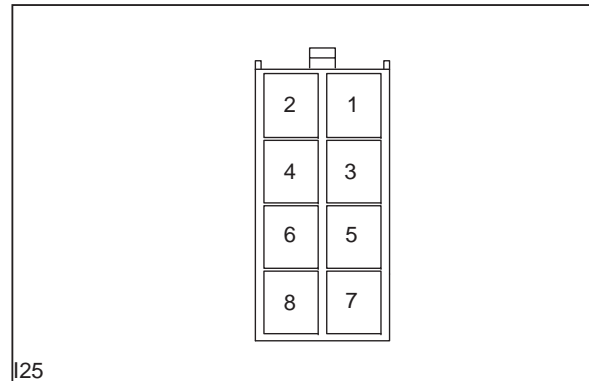
I24

I24 Pin Definition

Pin Number	Wire Width / Color	Function
1	0.50 G/B	CD multi function switch control line
2		NC
3	0.50 V	Width lamp power
4	1.25 R/Y	ACC power
5	0.85 B	Ground
6	1.25 R	Power
7	0.50 W/B	BCAN-L
8	0.50 W	BCAN-H

Instrument Harness Connector (I--)

CD-2 Connector



I25

I25 Pin Definition

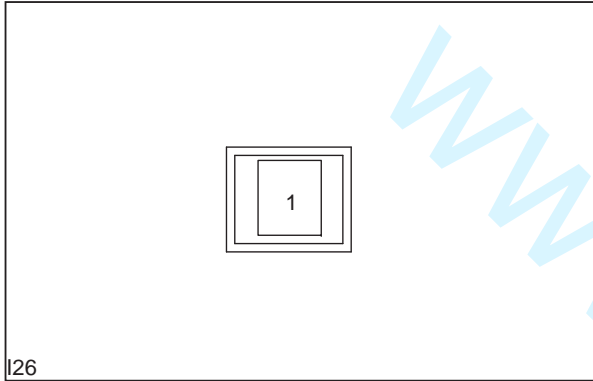
Pin Number	Wire Width / Color	Function
1	0.50 V/B	RR speaker power -
2	0.50 V	RR speaker power +
3	0.50 O/B	RF speaker power -
4	0.50 O	RF speaker power+
5	0.50 W/B	LF speaker power -
6	0.50 W	LF speaker power +
7	0.50 Y/B	LR speaker power +
8	0.50 Y	LR speaker power -



# Harness Connector View

Instrument Harness Connector (I--)

CD Player Antenna Connector

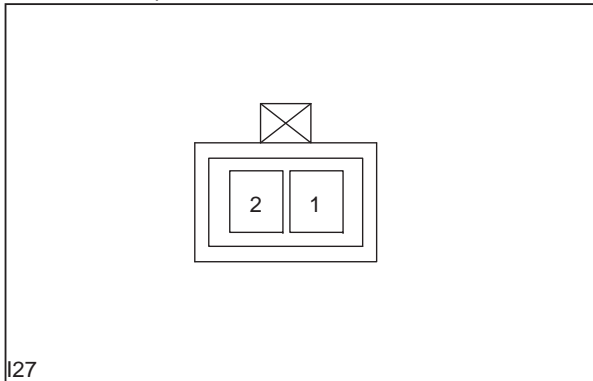


I26

I26 Pin Definition

Pin Number	Wire Width / Color	Function
1	0.50 R/Y	ACC power

Glove Box Lamp Connector



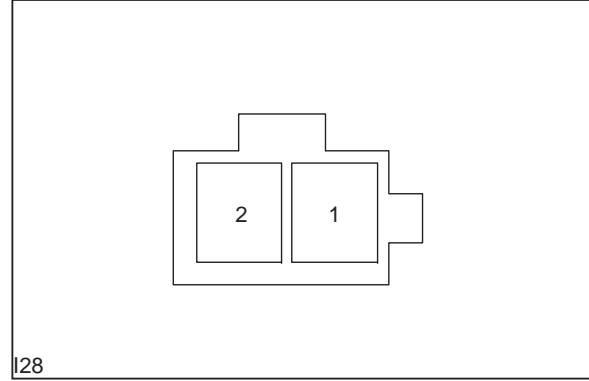
I27

I27 Pin Definition

Pin Number	Wire Width / Color	Function
1	0.50 B	Ground
2	0.50 P/BI	Power

Instrument Harness Connector (I--)

RF Speaker Connector

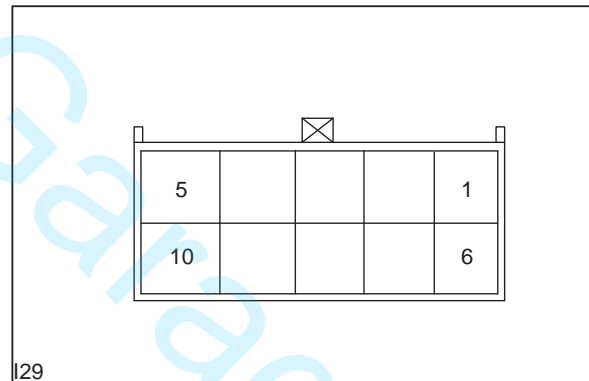


I28

I28 Pin Definition

Pin Number	Wire Width / Color	Function
1	0.50 O	Signal +
2	0.50 O/B	Signal -

CD Control Panel Connector



I29

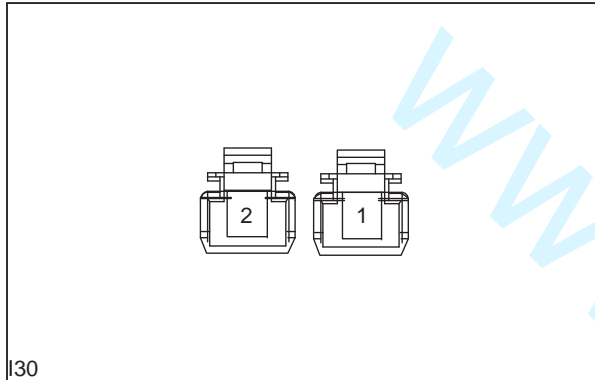
I29 Pin Definition

Pin Number	Wire Width / Color	Function
1	0.50 R/Y	ACC power
2		NC
3	0.50 B	Ground
4		NC
5	0.50 V	Width lamp power
6		NC
7	0.50 W	BCAN-H
8	0.50 W/B	BCAN-L
9		NC
10		NC

# Harness Connector View

Instrument Harness Connector (I--)

IP Fuse and Relay Box Power Connector

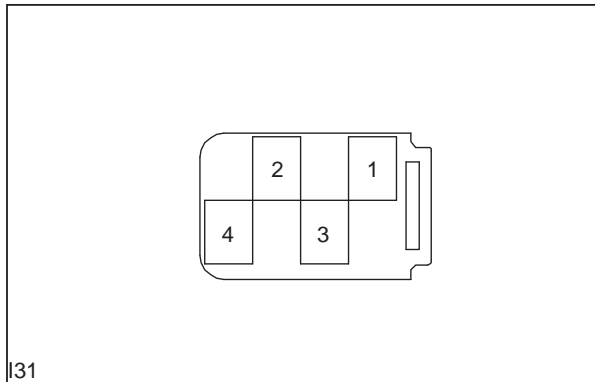


I30

I30 Pin Definition

Pin Number	Wire Width / Color	Function
1	2.00 R/O	ACC power
2	2.00 B	Ground

Yaw Rate Sensor Connector



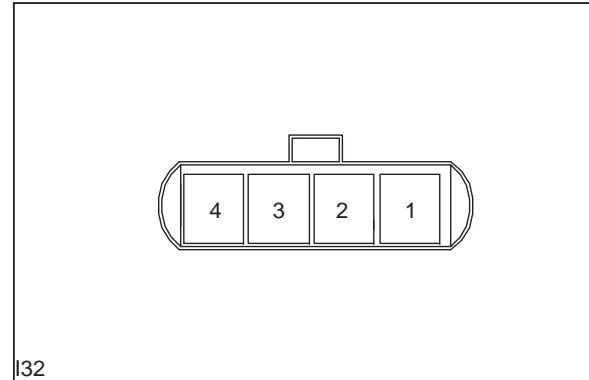
I31

I31 Pin Definition

Pin Number	Wire Width / Color	Function
1	0.50 B	Ground
2	0.50 R/W	Power
3	0.50 O	Signal -
4	0.50 O/B	Signal +

Instrument Harness Connector (I--)

Rear Oxygen Sensor Connector

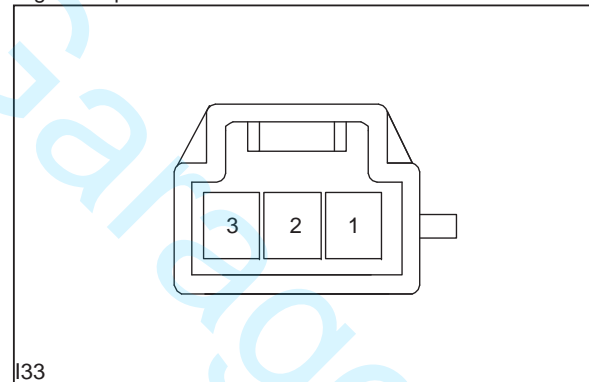


I32

I32 Pin Definition

Pin Number	Wire Width / Color	Function
1	0.50 O/R	Power
2	0.50 Y	Heating signal
3	0.50 G	Signal
4	0.50 P	Ground

Cigar Lamper Connector



I33

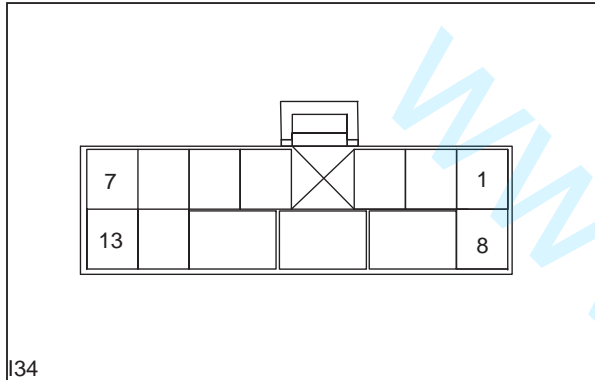
I33 Pin Definition

Pin Number	Wire Width / Color	Function
1	0.50 V	Width lamp power
2	1.25 R	ACC power
3	1.25 B	Ground

# Harness Connector View

Instrument Harness Connector (I--)

Driver Side Seat Heating Model Connector



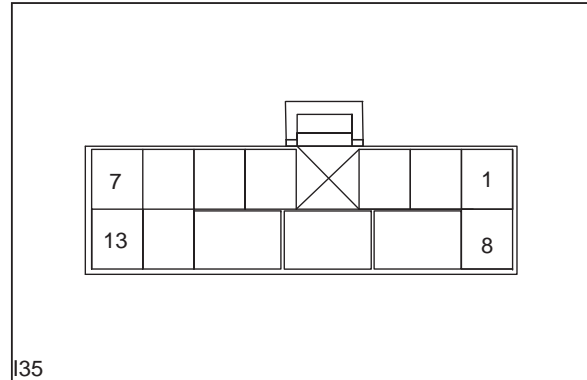
I34

I34 Pin Definition

Pin Number	Wire Width / Color	Function
1		NC
2		NC
3		NC
4	0.50 Y/W	Driver seat heating switch signal
5	0.50 Y/R	Driver high temperature working indication signal
6	0.50 Y/O	Driver low temperature working indication signal
7		NC
8		NC
9	3.00 R/Y	Power
10	3.00 R/G	Driver Seat heating module power
11	3.00 B	Ground
12		NC
13		NC

Instrument Harness Connector (I--)

Passenger Side Seat Heating Model Connector



I35

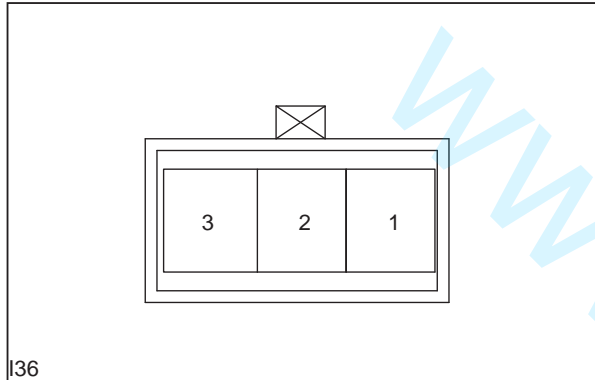
I35 Pin Definition

Pin Number	Wire Width / Color	Function
1		NC
2		NC
3		NC
4	0.50 G/W	Heating switch signal
5	0.50 G/R	High temperature working indication signal
6	0.50 G/O	Low temperature working indication signal
7		NC
8		NC
9		NC
10	3.00 R/G	Passenger heating module power
11	3.00 B	Ground
12		NC
13		NC

# Harness Connector View

Instrument Harness Connector (I--)

Driver Side Seat Belt Switch Connector

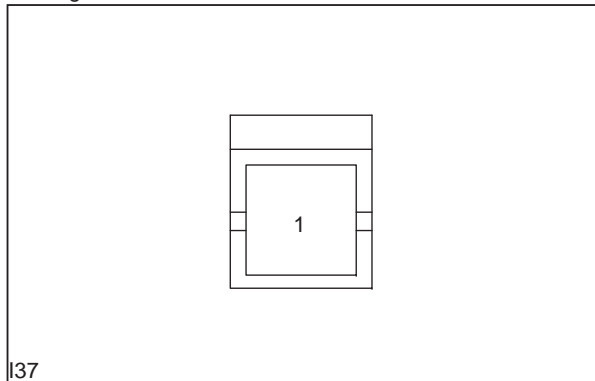


I36

I36 Pin Definition

Pin Number	Wire Width / Color	Function
1		NC
2	0.50 G/B	Signal
3	0.50 B	Ground

Parking Brake Switch Connector



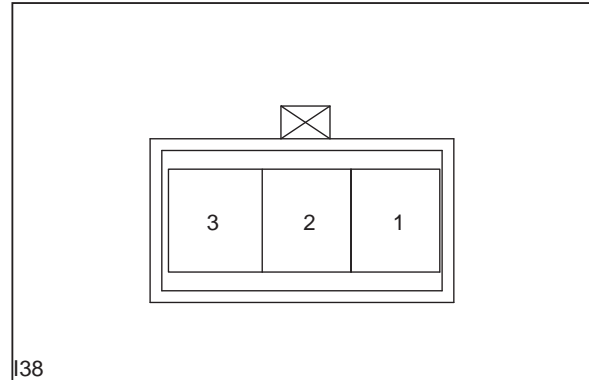
I37

I37 Pin Definition

Pin Number	Wire Width / Color	Function
1	0.50 G/BI	Signal

Instrument Harness Connector (I--)

Passenger Side Seat Belt Switch Connector



I38

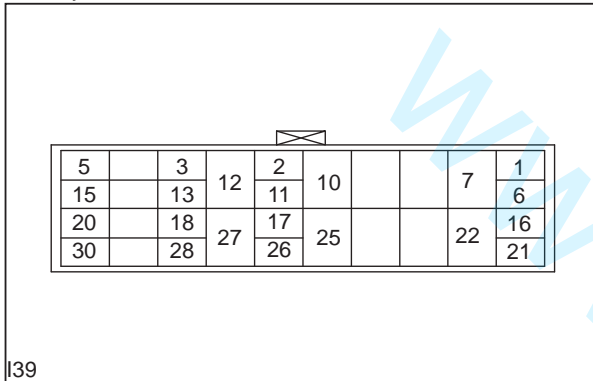
I38 Pin Definition

Pin Number	Wire Width / Color	Function
1		NC
2	0.50 O	Signal
3	0.50 B	Ground

# Harness Connector View

Instrument Harness Connector (I--)

CAN System Connector



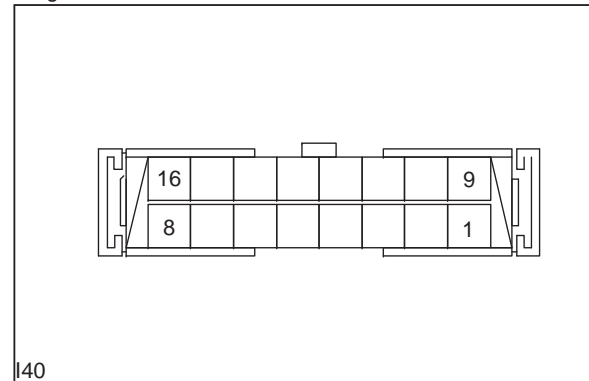
I39

I39 Pin Definition

Pin Number	Wire Width / Color	Function
1	0.50 W	BCAN-H
2	0.50 W	BCAN-H
3	0.50 Y	PCAN-H
4	0.50 Y	PCAN-H
5	0.50 Y	PCAN-H
6	0.50 W	BCAN-H
7	0.50 W	BCAN-H
8	0.50 W	BCAN-H
9	0.50 W	BCAN-H
10	0.50 W	BCAN-H
11	0.50 W	BCAN-H
12	0.50 Y	PCAN-H
13	0.50 Y	PCAN-H
14	0.50 Y	PCAN-H
15	0.50 Y	PCAN-H
16	0.50 W/B	BCAN-L
17	0.50 W/B	BCAN-L
18	0.50 Y/B	PCAN-L
19	0.50 Y/B	PCAN-L
20	0.50 Y/B	PCAN-L
21	0.50 W/B	BCAN-L
22	0.50 W/B	BCAN-L
23	0.50 W/B	BCAN-L
24	0.50 W/B	BCAN-L
25	0.50 W/B	BCAN-L
26	0.50 W/B	BCAN-L
27	0.50 Y/B	PCAN-L
28	0.50 Y/B	PCAN-L
29	0.50 Y/B	PCAN-L
30	0.50 Y/B	PCAN-L

Instrument Harness Connector (I--)

Diagnose Interface Connector



I40

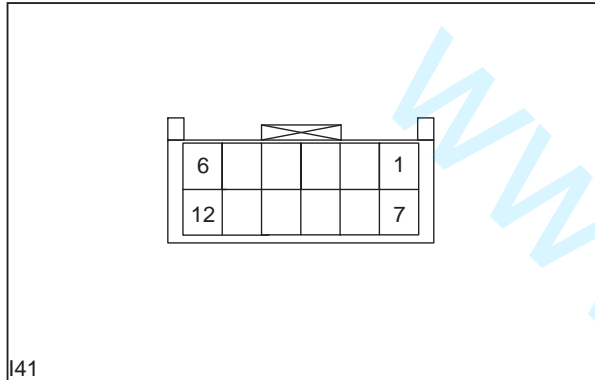
I40 Pin Definition

Pin Number	Wire Width / Color	Function
1		NC
2	0.50 W	BCAN-H
3		NC
4	0.50 B	Ground
5	0.50 B	Ground
6	0.50 Y	PCAN-H
7	0.50 Br	K-line
8	0.50 R/W	IG1 power
9		NC
10	0.50 W/B	BCAN-L
11		NC
12		NC
13		NC
14	0.50 Y/B	PCAN-L
15		NC
16	0.50 R	Power

# Harness Connector View

Instrument Harness Connector (I--)

Steering Wheel Switch Connector



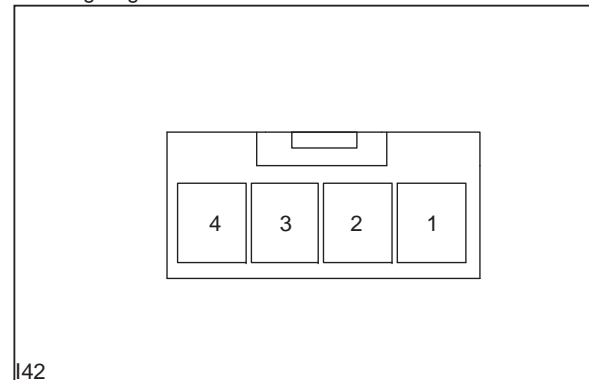
I41

I41 Pin Definition

Pin Number	Wire Width / Color	Function
1		NC
2	0.50 BI	Cruise control switch signal
3		NC
4		NC
5		NC
6		NC
7		NC
8	0.50 B/W	Cruise control switch signal
9	0.50 G/B	CD switch signal
10	0.50 W	Horn relay switch control
11	0.50 B	Ground
12	0.50 V	Width lamp power

Instrument Harness Connector (I--)

Steering Angle Sensor Connector

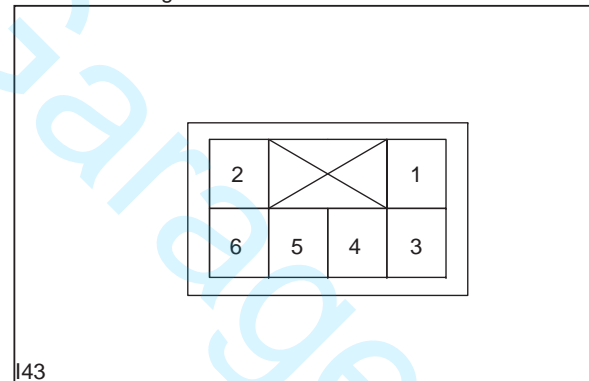


I42

I42 Pin Definition

Pin Number	Wire Width / Color	Function
1	0.50 B	Ground
2	0.50 R/W	IG1 power
3	0.50 Y	PCAN-H
4	0.50 Y/B	PCAN-L

Electric Steering Lock Connector



I43

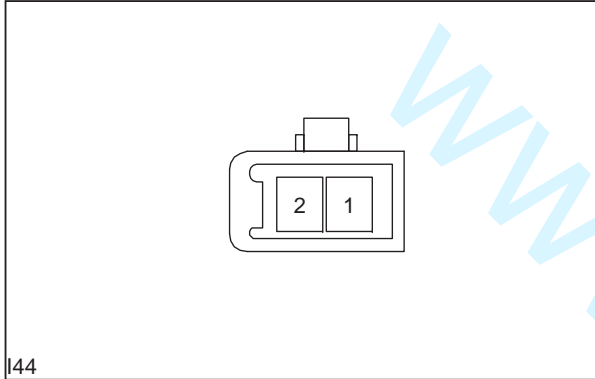
I43 Pin Definition

Pin Number	Wire Width / Color	Function
1		NC
2	1.25 BI/Y	Ground
3	1.25 BI/O	Power input
4	0.50 BI/R	Enable signal
5	0.50 BI/G	Lock status return signal
6	0.50 BI/W	ESCL-LIN

# Harness Connector View

## Instrument Harness Connector (I--)

### Key Insert Switch Connector

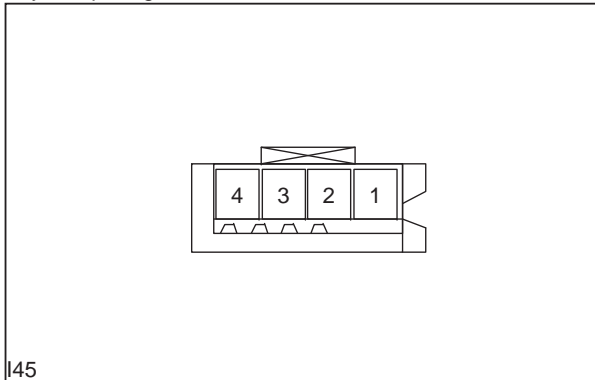


I44

#### I44 Pin Definition

Pin Number	Wire Width / Color	Function
1	0.50 Gr	Key Insert switch control signal
2	0.50 W/Y	Power

### Key Lamp Ring Connector



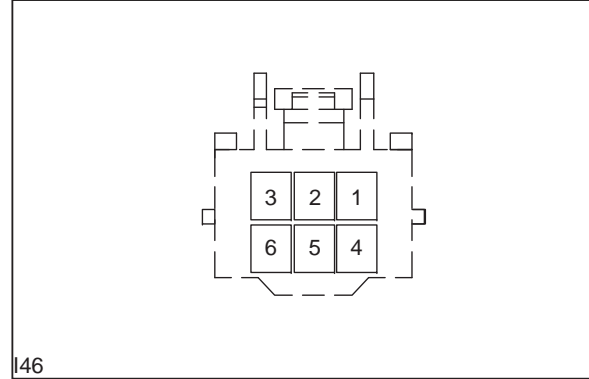
I45

#### I45 Pin Definition

Pin Number	Wire Width / Color	Function
1	0.50 G/W	IMMO antenna signal -
2	0.50 W/V	Key lamp ring LED -
3	0.50 G/O	Key lamp ring LED +
4	0.50 W/R	IMMO antenna signal +

## Instrument Harness Connector (I--)

### Ignition Switch Connector



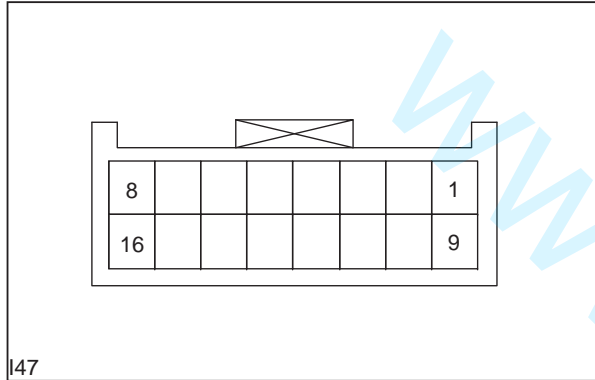
I46

#### I46 Pin Definition

Pin Number	Wire Width / Color	Function
1	0.50 W/G	ACC relay control
2	0.50 G/V	IG1 relay control
3	0.50 W/Y	Power
4	0.50 G/Br	IG2 relay control
5	0.50 W/Y	Power
6	0.50 G/W	Start relay control

# Harness Connector View

Instrument Harness Connector (I--)  
Combination Switch Connector

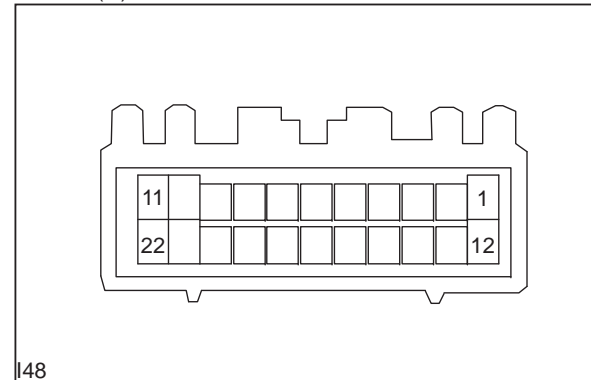


I47

I47 Pin Definition

Pin Number	Wire Width / Color	Function
1		NC
2		NC
3	0.50 G/W	Wiper switch gear signal
4		NC
5	0.50 G/R	Wiper switch adjust speed signal
6	0.50 W/R	Ground
7	0.50 Br	Width lamp control
8	0.50 W/G	Headlamp control
9		NC
10		NC
11		NC
12	0.50 Y/Br	Trun lamp control
13	0.50 BI	Rear fog lamp control
14		NC
15		NC
16		NC

Instrument Harness Connector (I--)  
FBCM-1(G) Connector



I48

I48 Pin Definition

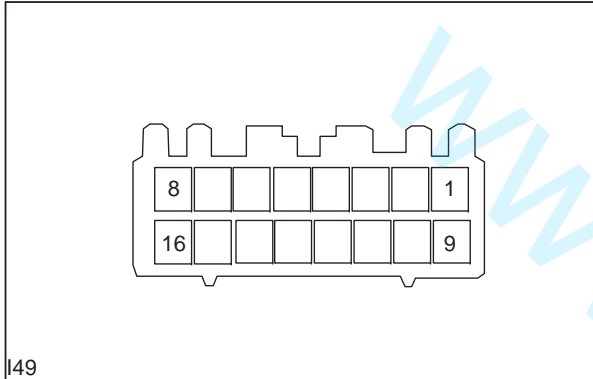
Pin Number	Wire Width / Color	Function
1	1.25 R/W	FBCM IG1 power
2	0.50 B	Ground
3		NC
4	0.50 R/G	Trunk ON signal
5		NC
6		NC
7	0.50 W/B	BCAN-L
8	0.50 W	BCAN-H
9	0.50 G	LIN
10	0.50 G/Gr	Rear lamp delay control
11	1.25 R	FBCM power
12	0.85 V	High / low beam lamp switch control
13	0.50 O	Low beam relay control
14		NC
15		NC
16		NC
17		NC
18		NC
19		NC
20		NC
21	1.25 B	Ground
22	1.25 B	Ground



# Harness Connector View

## Instrument Harness Connector (I--)

### FBCM-2(W) Connector



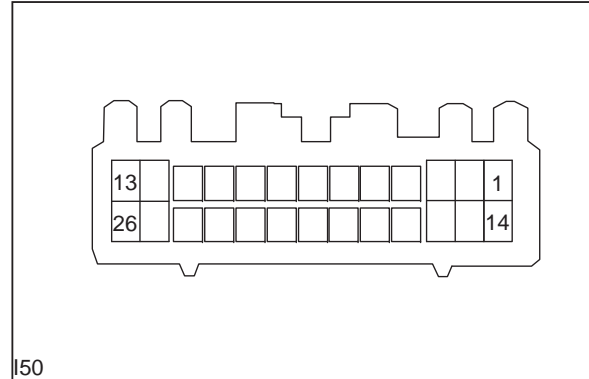
I49

### I49 Pin Definition

Pin Number	Wire Width / Color	Function
1	0.50 Y/Bl	Wiper motor return switch signal
2		NC
3	0.50 O	LF door switch signal
4	0.50 P	RF door switch signal
5	0.50 Br/Y	Switch for reversing lamp signal
6		NC
7		NC
8		NC
9	0.50 Br/W	Daytime running lamp power
10		NC
11	0.50 Gr	LR door switch signal
12	0.50 G	RR door switch signal
13	0.50 B/Bl	Hazard warning lamp switch signal
14	0.50 G/O	Switch signal
15		NC
16		NC

## Instrument Harness Connector (I--)

### FBCM-3 Connector



I50

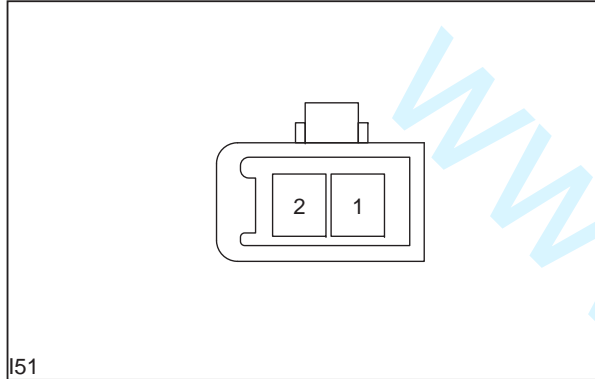
### I50 Pin Definition

Pin Number	Wire Width / Color	Function
1	2.00 R	Wiper, washing motor power
2		NC
3	0.50 Bl/R	Front windshield washing motor power
4	0.50 Y/Br	Trun lamp control switch
5	0.50 Bl	Rear fog lamp control
6	0.50 Br	Width lamp control
7	0.50 W/G	Headlamp control
8		NC
9	0.50 W/R	Ground
10	0.50 Bl/Y	Ambient lamp sensor signal input
11	0.50 Bl/R	Ambient lamp sensor signal
12	0.85 P/Bl	Width lamp power
13	1.25 R	Trun lamp, width lamp power
14	0.85 B	Ground
15	1.25 G/Y	Wiper motor high speed control power
16	1.25 G/Bl	Wiper motor low speed control power
17		NC
18	0.50 G/W	Wiper switch gear signal
19	0.50 G/R	Wiper switch speed signal
20		NC
21		NC
22		NC
23		NC
24		NC
25	0.50 R/Y	RF rearview mirror steering signal
26	0.85 Y/G	LF rearview mirror steering signal

# Harness Connector View

## Instrument Harness Connector (I--)

### Front Width Antenna Connector

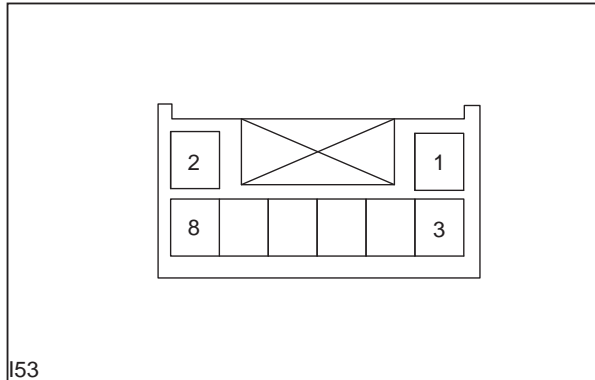


I51

#### I51 Pin Definition

Pin Number	Wire Width / Color	Function
1	0.50 Gr/G	Antenna signal -
2	0.50 Gr/W	Antenna signal +

### Button Start Connector



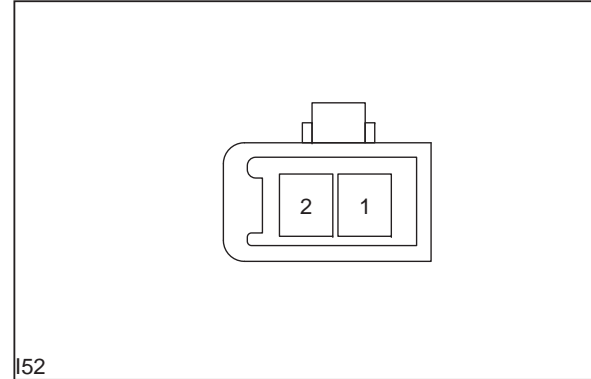
I53

#### I53 Pin Definition

Pin Number	Wire Width / Color	Function
1	0.50 G/W	IMMO antenna signal -
2	0.50 W/R	IMMO antenna signal +
3	0.50 W/G	Startor button switch signal 1
4	0.50 G/O	LED control 2
5	0.50 W/V	LED control 1
6	0.50 G/W	LED power
7	0.50 G/Br	Ground
8	0.50 G/V	Startor button switch signal 2

## Instrument Harness Connector (I--)

### Middle Width Antenna Connector

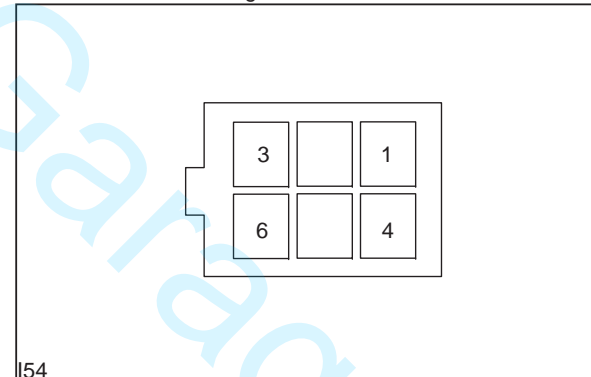


I52

#### I52 Pin Definition

Pin Number	Wire Width / Color	Function
1	0.50 Gr/Y	Antenna signal -
2	0.50 Gr/Bl	Antenna signal +

### Driver Side Seat Heating Switch Connector



I54

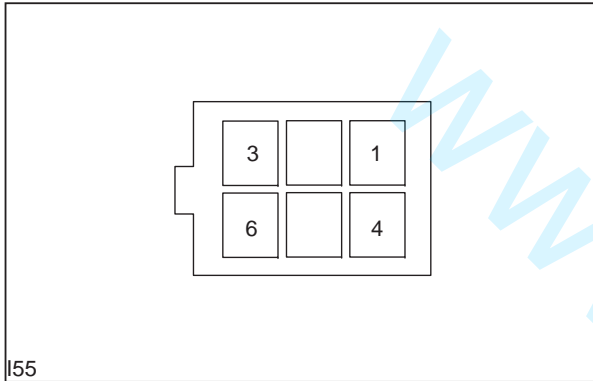
#### I54 Pin Definition

Pin Number	Wire Width / Color	Function
1	0.50 Y/O	Driver low temperature working indication signal
2	0.50 Y/R	Driver high temperature working indication signal
3	0.50 V	Width lamp power
4	0.50 Y/W	Driver seat heating switch signal
5	0.50 B	Ground
6	0.50 B	Ground

# Harness Connector View

Instrument Harness Connector (I--)

Passenger Side Seat Heating Switch Connector

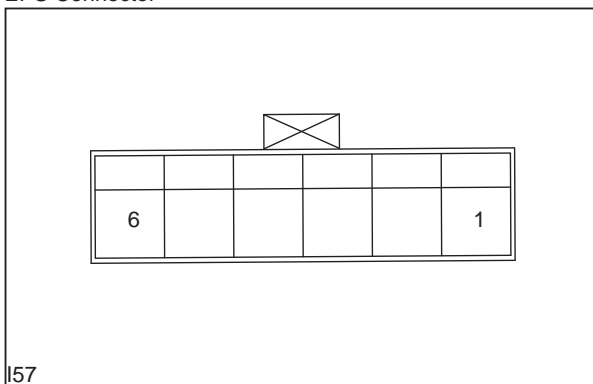


I55

I55 Pin Definition

Pin Number	Wire Width / Color	Function
1	0.50 G/O	Low temperature working indication signal
2	0.50 G/R	High temperature working indication signal
3	0.50 V	Width lamp power
4	0.50 G/W	Passenger seat heating switch signal
5	0.50 B	Ground
6	0.50 B	Ground

EPS Connector



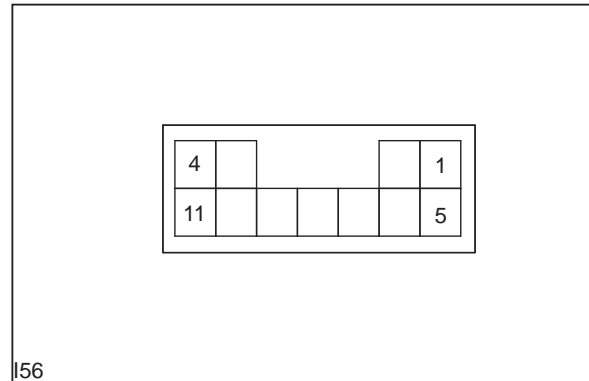
I57

I57 Pin Definition

Pin Number	Wire Width / Color	Function
1	0.50 R/W	IG1 power
2		NC
3	0.50 Y/B	PCAN-L
4	0.50 Y	PCAN-H
5		NC
6		NC

Instrument Harness Connector (I--)

Shift Level Switch Connector



I56

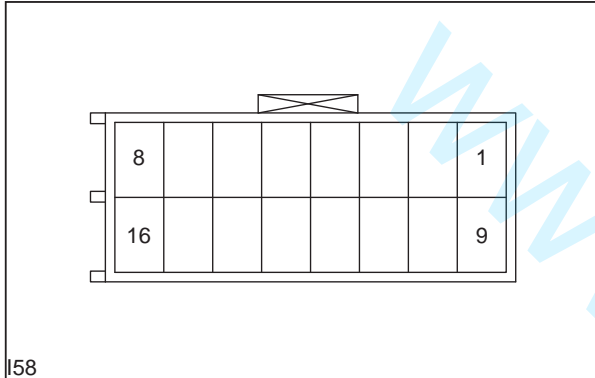
I56 Pin Definition

Pin Number	Wire Width / Color	Function
1		NC
2	0.50 W	P gear unlock -
3	0.50 B	Ground
4	0.50 V	Width lamp power
5	0.50 BI	Manual mode signal over -
6	0.50 Y	Manual mode signal over +
7		NC
8		NC
9		NC
10	0.50 W	P gear unlock -
11	0.50 G	P gear unlock +

# Harness Connector View

Instrument Harness Connector (I--)

Electronic Parking Brake Switch Connector



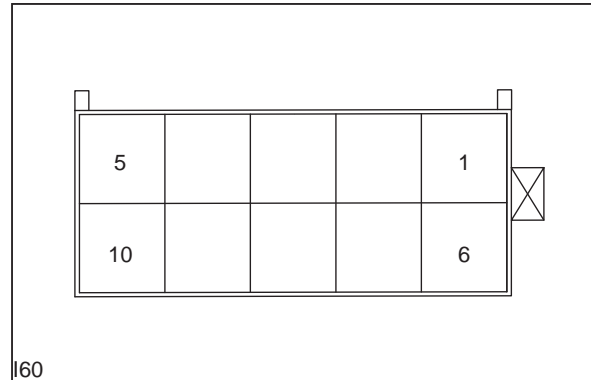
I58

I58 Pin Definition

Pin Number	Wire Width / Color	Function
1	0.50 Y/O	
2	0.50 Y/R	
3	0.50 Y/W	
4	0.50 V	
5	0.50 B	
6		NC
7		NC
8		NC
9		NC
10		NC
11		NC
12		NC
13		NC
14		NC
15		NC
16		NC

Instrument Harness Connector (I--)

Snow Model Switch Connector



I60

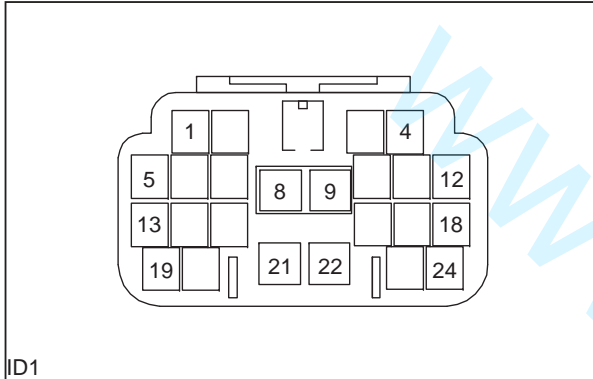
I60 Pin Definition

Pin Number	Wire Width / Color	Function
1	0.50 V	Width lamp power
2		NC
3		NC
4		NC
5	0.50 V	Snow model model power
6	0.50 B	Ground
7	0.50 W	P gear unlock -
8		NC
9		NC
10	0.50 B	Ground

# Harness Connector View

Instrument Harness Connector (I--)

Instrument Harness to LF Door Harness Connector



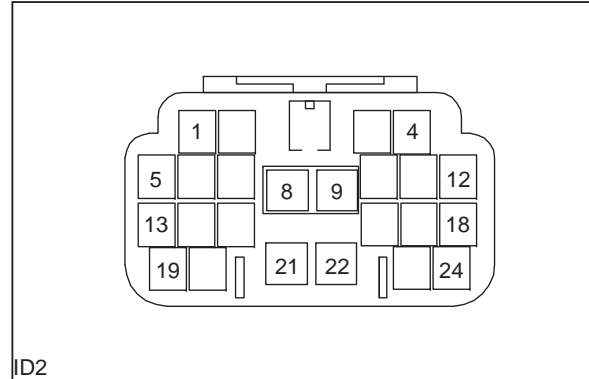
ID1

ID1 Pin Definition

Pin Number	Wire Width / Color	Function
1	0.50 Y/G	LR side turn lamp power
2	0.50 R	LF door controller power
3	0.50 W	LF door lock signal power +
4	0.50 W/B	LF door lock signal power -
5	0.50 G/Y	LF door antenna microswitch signal
6	0.50 Gr	LF door antenna signal +
7	0.50 R/W	LF rearview mirror defrost power
8	0.50 R/W	LF rearview mirror switch power
9	2.00 R	LF door controller switch power
10	0.50 Y/Gr	LR rearview mirror left/right signal
11	0.50 Y/Bl	RR rearview mirror up/down signal
12	0.50 Y/W	RR rearview mirror switch common line
13	0.50 W/Y	LF door antenna signal -
14	0.50 Y/W	LF door antenna return signal
15	0.50 G/B	LF door antenna signal power
16		NC
17	0.50 G/Bl	RR rearview mirror spread signal
18	0.50 G	RR rearview mirror fold signal
19	0.50 Y/G	LF door antenna signal ground
20		NC
21		NC
22	2.00 B	LF door handle switch ground
23	0.50 V	Width lamp power
24	0.50 G	LIN

Instrument Harness Connector (I--)

Instrument Harness to RF Door Harness Connector



ID2

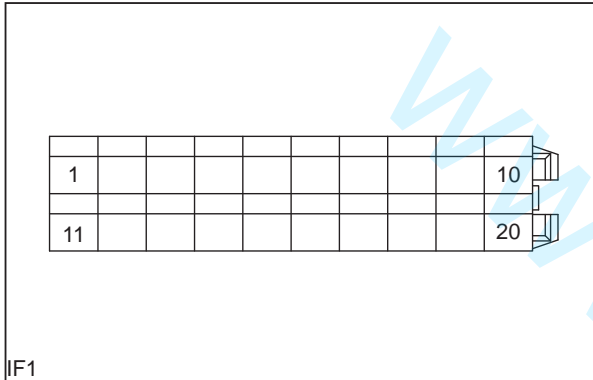
ID2 Pin Definition

Pin Number	Wire Width / Color	Function
1	0.50 R/Y	RR rearview mirror steering signal
2	0.50 R	Switch off electrical output power
3	0.50 O/B	RF speaker signal -
4	0.50 O	RF speaker signal +
5	0.50 Y/Gr	RR rearview mirror control
6	0.50 Y/Bl	RR rearview mirror control
7	0.50 Y/W	RR rearview mirror switch common line
8	2.00 R/B	RF door armrest switch power
9		NC
10		NC
11		NC
12	0.50 R/W	Heating power
13	0.50 G/Bl	Spread signal
14	0.50 G	Folded signal
15		NC
16		NC
17	0.50 V	Width lamp power
18	0.50 G	LIN
19		NC
20		NC
21		NC
22	2.00 B	Ground
23		NC
24		NC

# Harness Connector View

Instrument Harness Connector (I--)

Instrument Harness to Left Body Harness Connector



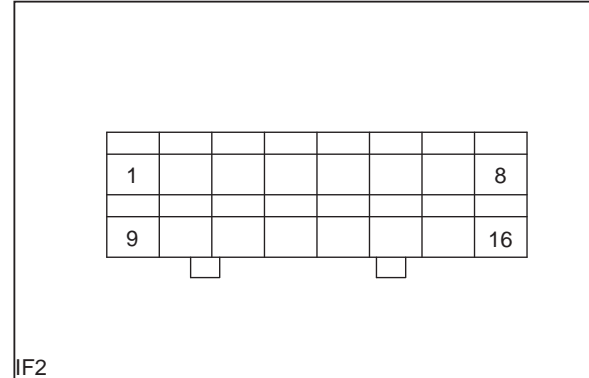
IF1

IF1 Pin Definition

Pin Number	Wire Width / Color	Function
1	0.50 Y/R	LR TPMS antenna signal +
2	0.50 G/Gr	Rear dome lamp delay control
3	0.50 O	LF door lamp signal
4	0.50 G/R	Fuel sensor signal
5	0.50 B	Ground
6	0.50 Gr/O	Rear antenna signal +
7	0.50 Gr/B	Rear antenna signal -
8	0.50 Br/V	Trunk antenna signal +
9	0.50 Gr/Br	Trunk antenna signal -
10	0.50 V/W	Trunk microswitch signal
11	0.50 Gr/R	LR TPMS antenna signal -
12		NC
13	0.50 Gr	LR door lamp switch signal
14		NC
15		NC
16		NC
17		NC
18		NC
19		NC
20		NC

Instrument Harness Connector (I--)

Instrument Harness to Left Body Harness Connector



IF2

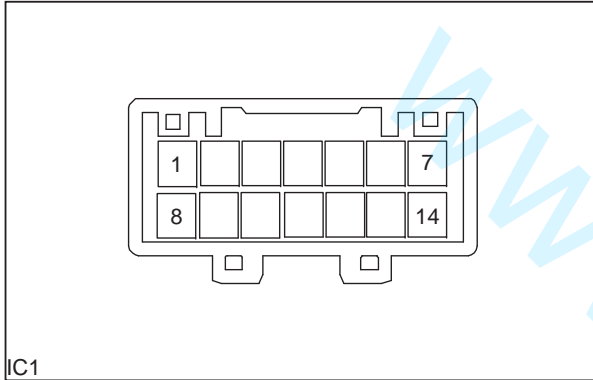
IF2 Pin Definition

Pin Number	Wire Width / Color	Function
1	1.25 R/Gr	Trunk lamp power
2	0.85 R	Power
3	2.00 R/W	Power
4	0.50 W	Rear brake lamp power
5	2.00 R/O	Switch power
6	0.50 V	Width lamp power
7	0.50 G	LIN
8	0.50 W	BCAN-H
9	0.50 R/G	Rear dome lamp power
10	1.25 R	Lamp power
11	0.50 G/R	Reverse image power
12		NC
13	0.50 R	LR door controller power
14	0.50 O/R	Automatic ON Trunk model power
15		NC
16	0.50 W/B	BCAN-L

# Harness Connector View

Instrument Harness Connector (I--)

Instrument Harness to Right Body Harness Connector



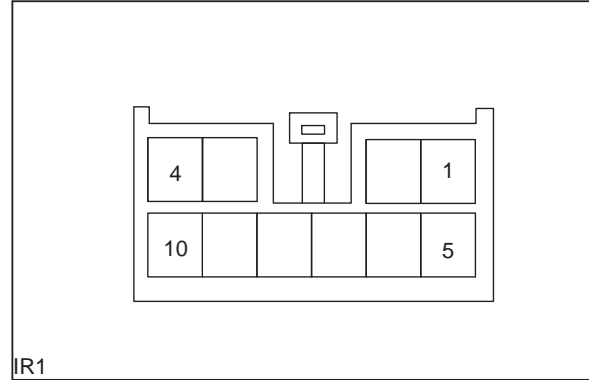
IC1

IC1 Pin Definition

Pin Number	Wire Width / Color	Function
1	0.50 Y/W	RR TPMS antenna +
2	0.50 P	RF door switch signal
3	0.50 R	RR door controller power
4	0.50 V/B	RR speaker power -
5	0.50 V	RR speaker power +
6	0.50 Br/P	RR wheel speed sensor signal +
7	0.50 Br/G	RR wheel speed sensor signal -
8	0.50 Y/V	RR TPMS antenna -
9	0.50 G	RR door switch signal
10	2.00 R/W	RR door controller switch power
11	0.50 Y/B	LR speaker power -
12	0.50 Y	LR speaker power +
13	0.50 V	Width lamp power
14	0.50 G	LIN

Instrument Harness Connector (I--)

Instrument Harness to Roof Harness Connector



IR1

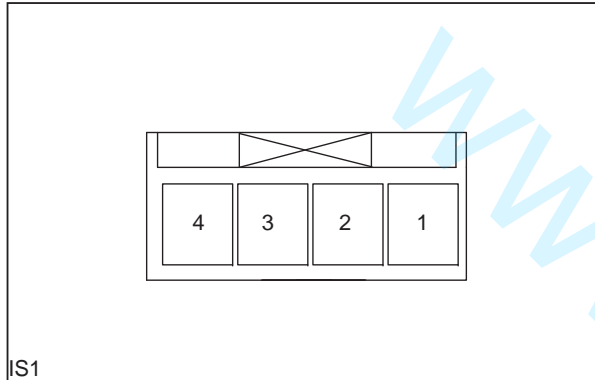
IR1 Pin Definition

Pin Number	Wire Width / Color	Function
1	0.50 R/Y	Sunroof controller power
2		NC
3	0.50 G	LIN
4	0.50 R/G	Front dome lamp power
5		NC
6	0.50 B	Ground
7	2.00 B	Ground
8	2.00 R/W	Sunroof motor power
9	0.50 W	IG1 power
10	0.50 G/Gr	Front dome lamp switch delay signal

# Harness Connector View

Instrument Harness Connector (I--)

Instrument Harness to SRS Harness Connector



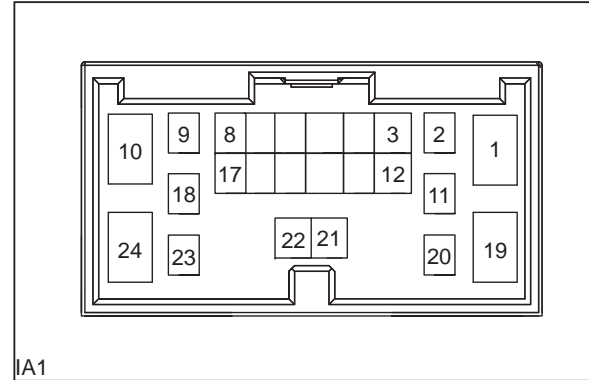
IS1

IS1 Pin Definition

Pin Number	Wire Width / Color	Function
1	0.50 R/W	IG1 power
2	0.50 Y	PCAN-H
3	0.50 Y/B	PCAN-L
4		NC

Instrument Harness Connector (I--)

Instrument Harness to AC Harness Connector



IA1

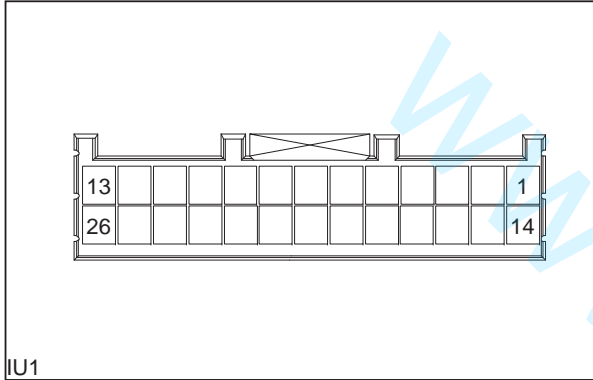
IA1 Pin Definition

Pin Number	Wire Width / Color	Function
1	3.00 B	Ground
2		NC
3	0.50 V	Width lamp power
4	0.50 Y/G	Blower control signal
5	0.50 V/B	Outside temperature sensor signal ground
6	0.50 V/Y	Ambient light sensor signal
7		NC
8	0.85 R/Gr	A/C compressor control vavle signal
9		NC
10	3.00 R	Power
11		NC
12	0.50 V/G	Outside temperature sensor signal ground
13	0.50 G/W	K-line
14	0.50 Y/V	Rear defroster control signal
15	0.50 Y/G	A/C switch signal
16		NC
17	0.85 B/P	A/C compressor control vavle signal
18	0.50 R/Y	IG1 power
19		NC
20	0.85 B	Ground
21	0.50 W	BCAN-H
22	0.50 W/B	BCAN-L
23	1.25 R/O	Power
24		NC



# Harness Connector View

Instrument Harness Connector (I--)  
Instrument Harness to Engine Compartment Harness Connector

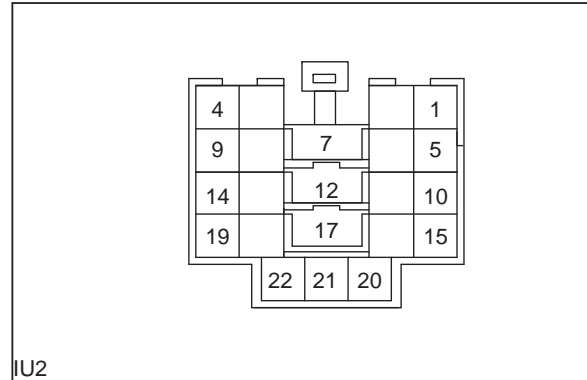


IU1

IU1 Pin Definition

Pin Number	Wire Width / Color	Function
1	0.50 B/Y	Stator relay power return signal
2	0.50 R	Stator relay power
3	0.50 Y/Gr	RF TPMS antenna +
4	0.50 Y/B	LF TPMS antenna +
5	0.50 G/R	Front collision sensor power
6	0.50 O	Low beam lamp relay control
7	0.50 R/Y	Turn right lamp power
8	0.50 G/R	Low beam lamp axle adjust signal
9	0.50 Br/W	Daytime running lamp power
10	0.50 Bl/R	Washer power
11	1.25 G/Bl	Wiper motor low speed power
12	0.50 V/G	Outside temperature sensor signal
13	0.50 Y/G	A/C request signal
14	0.50 W	Brake switch power output (normally ON)
15	0.50 O/R	Rear oxygen sensor power
16	0.50 Y	RF TPMS antenna -
17	0.50 Y/G	LF TPMS antenna -
18	0.50 R/Y	Low beam lamp axle adjust power
19	0.85 V	Left high beam lamp power
20	0.50 Y/G	Turn left lamp power
21	0.50 P/Bl	Front width lamp power
22	0.50 G/O	Engine compartment cover Lock switch signal
23	0.50 Y/Bl	Wiper motor return signal
24	1.25 G/Y	Wiper motor high speed power
25	0.50 V/B	Ground
26		NC

Instrument Harness Connector (I--)  
Instrument Harness to Engine Compartment Harness Connector



IU2

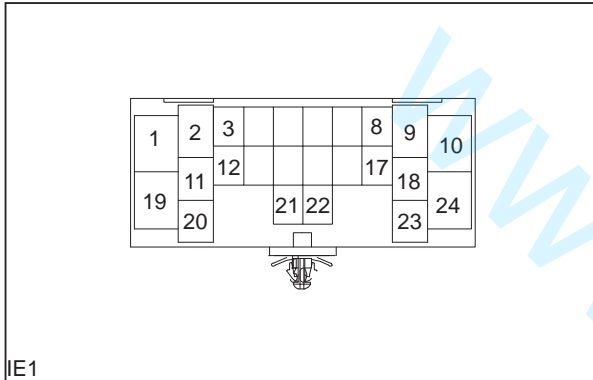
IU2 Pin Definition

Pin Number	Wire Width / Color	Function
1	0.50 O	Yaw Rate Sensor signal -
2	0.50 R/W	ABS HCU power
3	0.50 G	Brake fluid level switch signal
4	0.50 Br/G	RR wheel speed sensor signal -
5	0.50 Y/B	PCAN-L
6	0.50 Y	PCAN-H
7	1.25 R	IG1 power
8	0.50 W	Horn relay switch control
9	0.50 Br/P	RR wheel speed sensor signal
10	0.50 Y/R	ESP switch signal
11	0.50 Y/V	Wheel speed signal output
12		NC
13	0.50 O/B	Yaw Rate Sensor signal +
14	0.50 G	P gear unlock +
15	0.50 V/R	TCU controller N gear signal
16	0.50 Br/Y	TCU controller R gear signal
17		NC
18	0.50 W	P gear unlock -
19	0.50 Y	Manual model signal over +
20	0.50 V	Snow model switch signal
21		NC
22	0.50 Bl	Manual model signal over -

# Harness Connector View

Instrument Harness Connector (I--)

Instrument Harness to Engine Harness Connector



IE1

IE1 Pin Definition

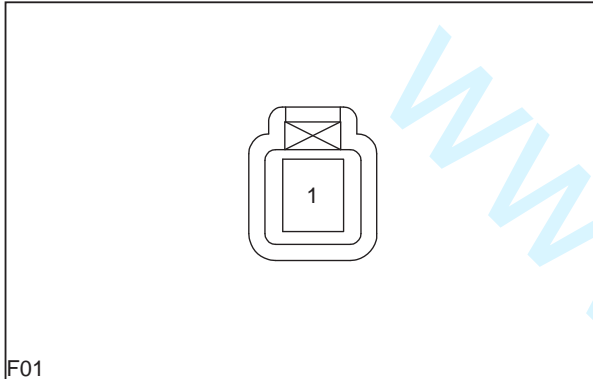
Pin Number	Wire Width / Color	Function
1		NC
2	0.50 Y/B	PCAN-L
3	0.50 G	Rear oxygen sensor signal
4	0.50 P	Ground
5	0.50 O	N Gear Signal(1.8L)
6		NC
7	0.50 P/B	Clutch switch signal
8	0.50 W	Brake switch signal(normally ON)
9		NC
10	0.85 R/Gr	Compressor power +
11	0.50 Y	PCAN-H
12	0.50 Br	Brake switch signal (normally OFF)
13	0.50 W/R	Charging indicator
14	0.50 G/Y	Oil pressure switch signal
15	0.50 Br/Y	Reversing switch signal
16		NC
17	0.50 V	Brake switch signal(normally OFF)
18	0.50 Y	Rear oxygen sensor heating signal
19		NC
20	1.25 R/W	IG1 power
21	0.50 B/W	Cruise control(2.4L)/Ground(2.0T)
22	0.50 BI	Ground(2.4L)/Cruise control(2.0T)
23	0.85 R	IG1 power
24	0.85 B/P	Compressor power -

Instrument Harness Connector (I--)

# Harness Connector View

Left Body Harness Connector (F--)

LF Door Lamp Switch Connector

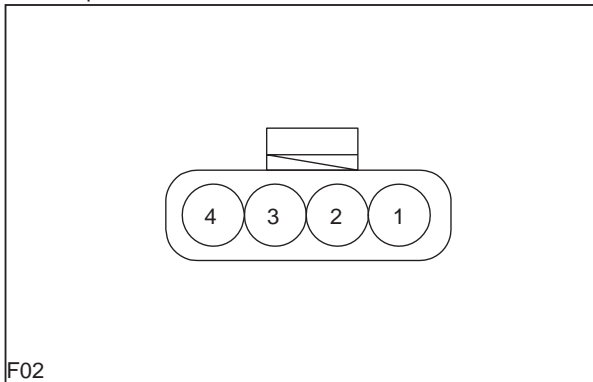


F01

F01 Pin Definition

Pin Number	Wire Width / Color	Function
1	0.50 O	Signal

Fuel Pmp Connector



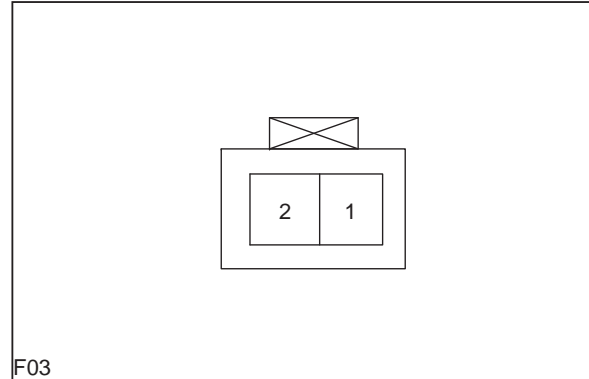
F02

F02 Pin Definition

Pin Number	Wire Width / Color	Function
1	2.00 B	Ground
2	2.00 Y	Fuel pmp power
3	0.50 B	Ground
4	0.50 G/R	Fuel sensor signal

Left Body Harness Connector (F--)

Antenna(Rear) Connector

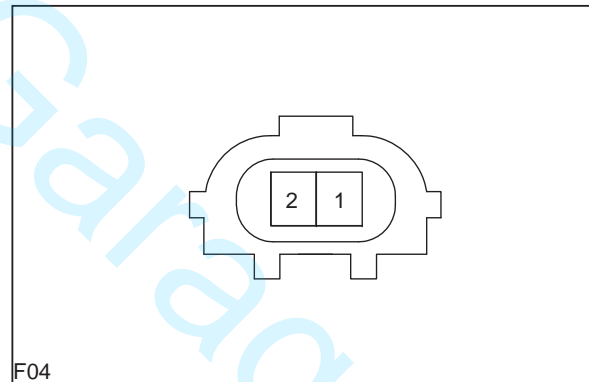


F03

F03 Pin Definition

Pin Number	Wire Width / Color	Function
1	0.50 Gr/B	Antenna signal -
2	0.50 Gr/O	Antenna signal +

LR Tire Pressure Antenna Connector



F04

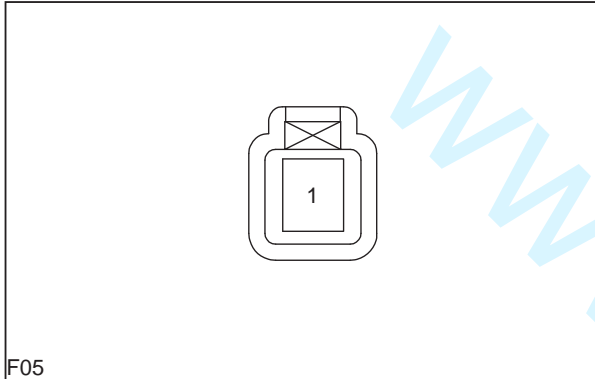
F04 Pin Definition

Pin Number	Wire Width / Color	Function
1	0.50 Gr/R	Tire Pressure signal -
2	0.50 Y/R	Tire Pressure signal +

# Harness Connector View

Left Body Harness Connector (F--)

LR Door Lamp Switch Connector

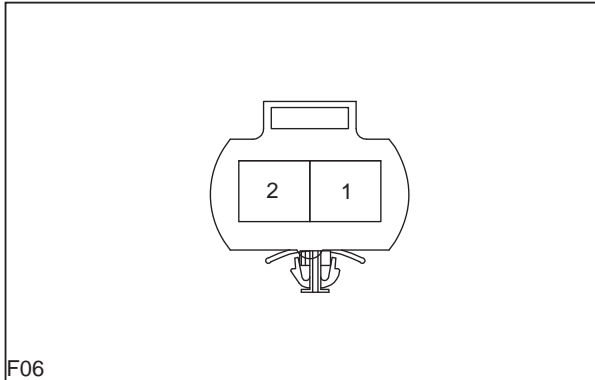


F05

F05 Pin Definition

Pin Number	Wire Width / Color	Function
1	0.50 Gr	Signal

LR Wheel Speed Sensor Connector



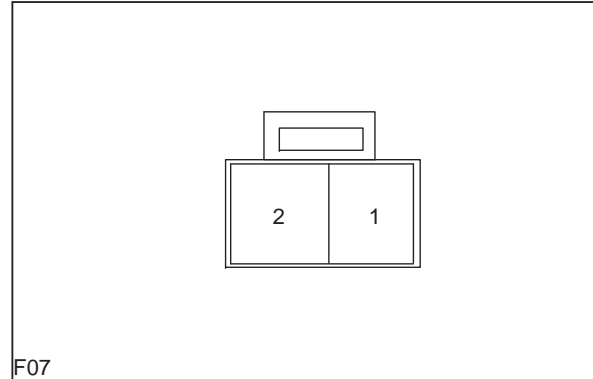
F06

F06 Pin Definition

Pin Number	Wire Width / Color	Function
1	0.50 Br/Gr	Power +
2	0.50 Br/Bl	Power -

Left Body Harness Connector (F--)

High Mounted Brake Lamp Connector

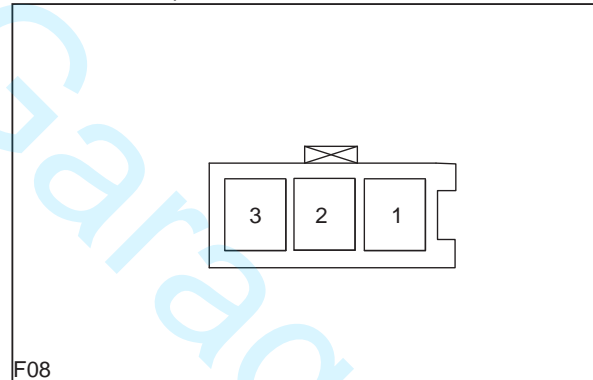


F07

F07 Pin Definition

Pin Number	Wire Width / Color	Function
1	0.50 B	Ground
2	0.50 W	Power

Rear Dome Lamp Connector



F08

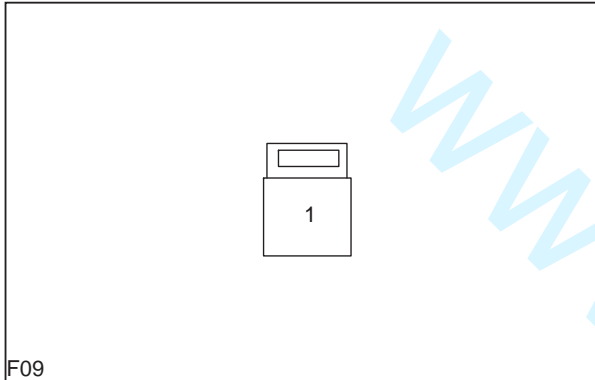
F08 Pin Definition

Pin Number	Wire Width / Color	Function
1	0.85 R/G	Power
2	0.85 B	Ground
3	0.85 G/Gr	Delay control

# Harness Connector View

Left Body Harness Connector (F--)

Rear Defroster Connector

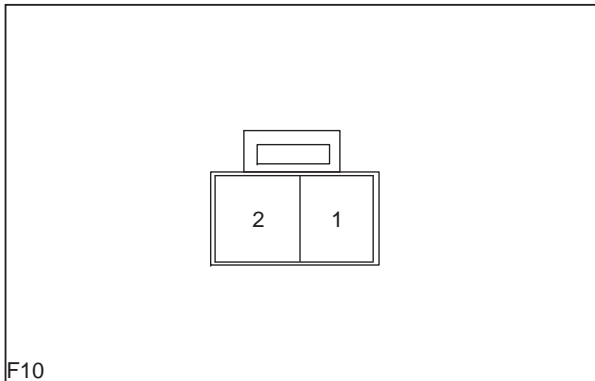


F09

F09 Pin Definition

Pin Number	Wire Width / Color	Function
1	2.00 R/W	Power

Noise Filter Connector



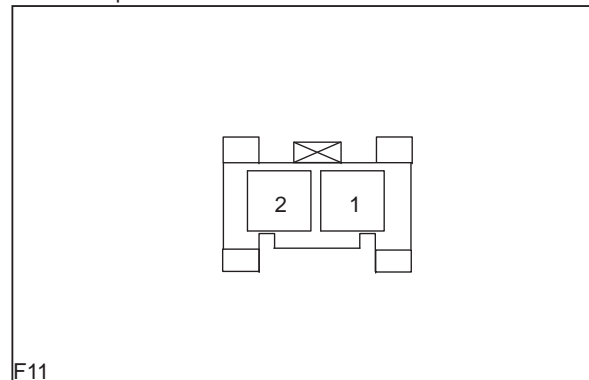
F10

F10 Pin Definition

Pin Number	Wire Width / Color	Function
1		NC
2	0.50 R/W	Power

Left Body Harness Connector (F--)

Trunk Lamp Connector

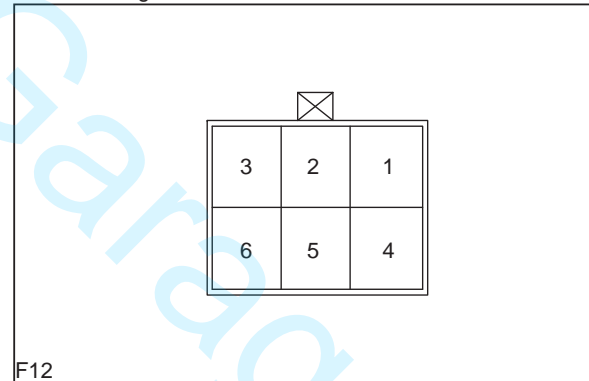


F11

F11 Pin Definition

Pin Number	Wire Width / Color	Function
1	0.50 R/Gr	Power
2	0.50 G/W	RBCM control

Reverse Image Connector



F12

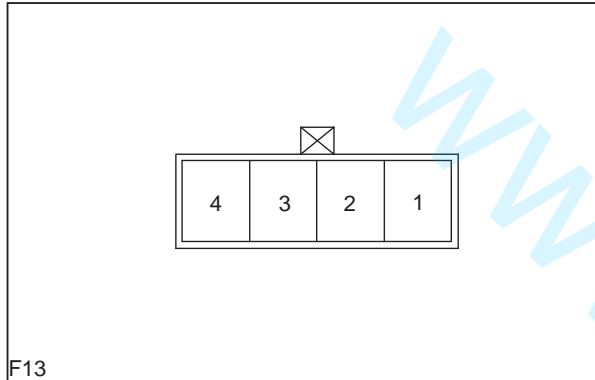
F12 Pin Definition

Pin Number	Wire Width / Color	Function
1	0.50 W	BCAN-H
2	0.50 G	Power -
3	0.50 R	Power +
4	0.50 W/B	BCAN-L
5		NC
6	0.50 W	Signal

# Harness Connector View

Left Body Harness Connector (F--)

Reverse Image Return Connector

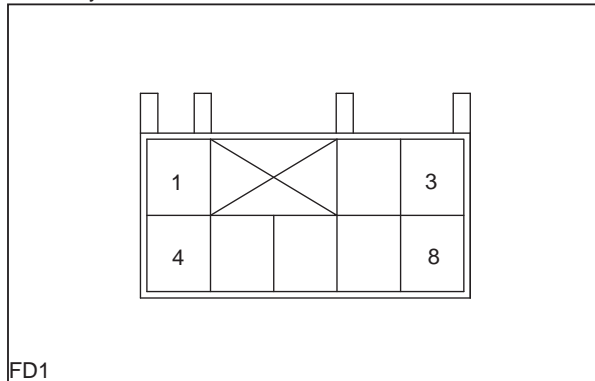


F13

F13 Pin Definition

Pin Number	Wire Width / Color	Function
1	0.50 R	Power +
2	0.50 G	Power -
3		NC
4	0.50 W	Signal

Left Body Harness to Door Harness Connector



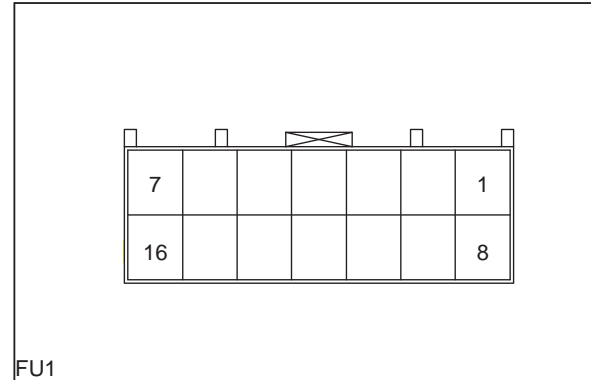
FD1

FD1 Pin Definition

Pin Number	Wire Width / Color	Function
1	2.00 R/O	Switch power
2	0.50 R	Power
3	2.00 B	Ground
4	0.50 G	LIN
5	0.50 V	Width lamp power
6		NC
7		NC
8		NC

Left Body Harness Connector (F--)

Left Body Harness to Front Compartment Harness Connector



FU1

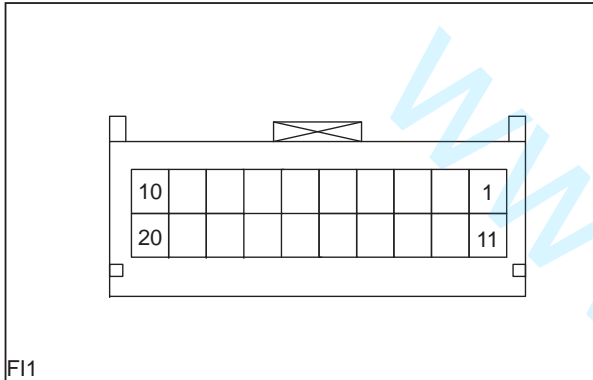
FU1 Pin Definition

Pin Number	Wire Width / Color	Function
1	0.50 G/B	Ground
2	0.50 G/Y	Front collision sensor signal
3		NC
4		NC
5		NC
6	2.00 Y	Fuel pump power
7	0.50 Br/Gr	LR wheel speed sensor signal +
8	0.50 G/R	Power
9		NC
10		NC
11		NC
12		NC
13		NC
14	0.50 Br/Bl	LR wheel speed sensor signal -
15		NC
16		NC

# Harness Connector View

Left Body Harness Connector (F--)

Left Body Harness to IP Harness Connector



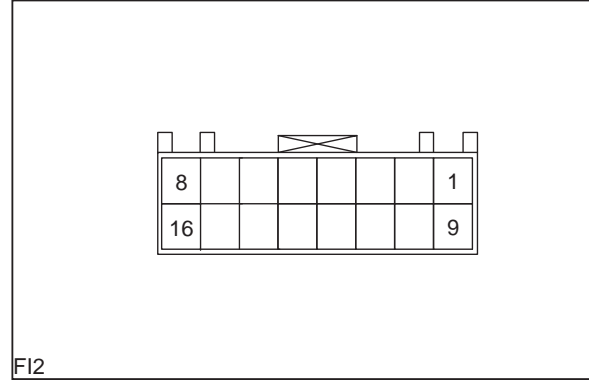
F11

F11 Pin Definition

Pin Number	Wire Width / Color	Function
1	0.50 Y/R	LR TPMS antenna signal +
2	0.50 G/Gr	Rear dome lamp delay control
3	0.50 O	LF door lamp signal
4	0.50 G/R	Fuel sensor signal
5	0.50 B	Ground
6	0.50 Gr/O	Rear antenna signal +
7	0.50 Gr/B	Rear antenna signal -
8	0.50 Br/V	Trunk antenna signal +
9	0.50 Gr/Br	Trunk antenna signal -
10	0.50 V/W	Trunk microswitch signal
11	0.50 Gr/R	LR TPMS antenna signal -
12		NC
13	0.50 Gr	LR door lamp switch signal
14		NC
15		NC
16		NC
17		NC
18		NC
19		NC
20		NC

Left Body Harness Connector (F--)

Left Body Harness to IP Harness Connector



F12

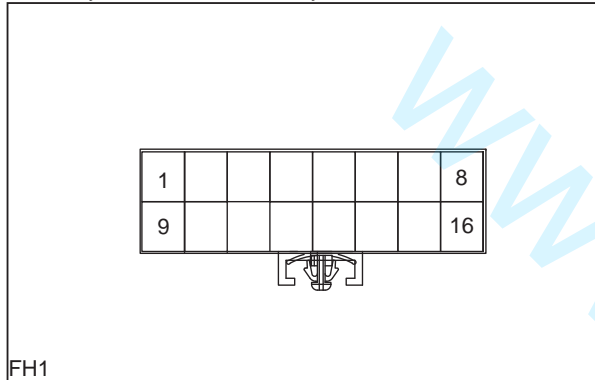
F12 Pin Definition

Pin Number	Wire Width / Color	Function
1	1.25 R/Gr	Trunk lamp power
2	0.85 R	Power
3	2.00 R/W	Power
4	0.50 W	Rear brake lamp power
5	2.00 R/O	Switch power
6	0.50 V	Width lamp power
7	0.50 G	LIN
8	0.50 W	BCAN-H
9	0.85 R/G	Rear dome lamp power
10	1.25 R	Lamp power
11	0.50 G/R	Reverse image power
12		NC
13	0.50 R	LR door controller power
14	0.50 O/R	Automatic ON Trunk model power
15		NC
16	0.50 W/B	BCAN-L

# Harness Connector View

Left Body Harness Connector (F--)

Left Body Harness to Rear Body Harness Connector



FH1

FH1 Pin Definition

Pin Number	Wire Width / Color	Function
1	0.50 G	LIN
2	1.25 R/Gr	Power
3	0.85 R	Power
4	0.50 G/B	Ground
5	0.50 G/Y	Front collision radar signal
6	0.50 Br/V	Trunk antenna signal +
7	0.50 V/W	Trunk microswitch signal
8	0.50 W	BCAN-H
9		NC
10	0.50 G/W	Trunk lamp control
11	1.25 R	Lamp power
12	0.50 G/R	Reversing camera module power
13	0.50 W	Brake lamp power
14	0.50 Gr/Br	Trunk antenna signal -
15	0.50 R	Automatically ON trunk model power
16	0.50 W/B	BCAN-L

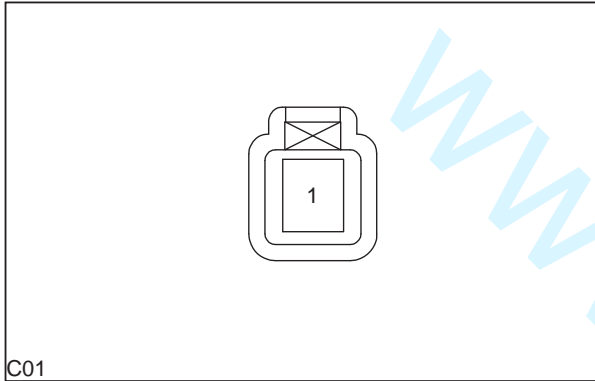
Left Body Harness Connector (F--)



# Harness Connector View

Right Body Harness Connector (C--)

RF Door Lamp Switch Connector

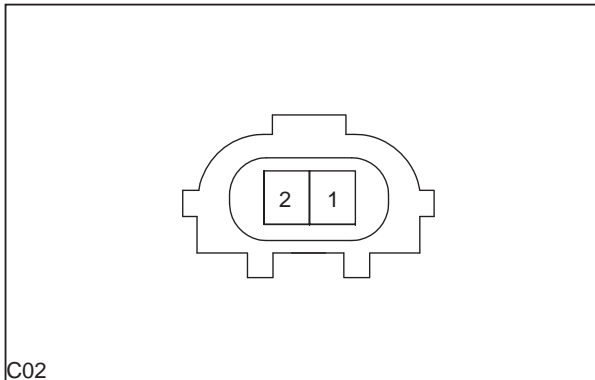


C01

C01 Pin Definition

Pin Number	Wire Width / Color	Function
1	0.50 P	Signal

RR Tire Pressure Antenna Connector



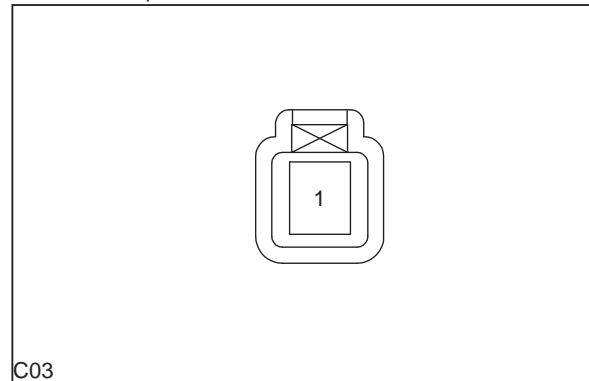
C02

C02 Pin Definition

Pin Number	Wire Width / Color	Function
1	0.50 Y/V	TPMS antenna signal -
2	0.50 Y/W	TPMS antenna signal +

Right Body Harness Connector (C--)

RR Door Lamp Switch Connector

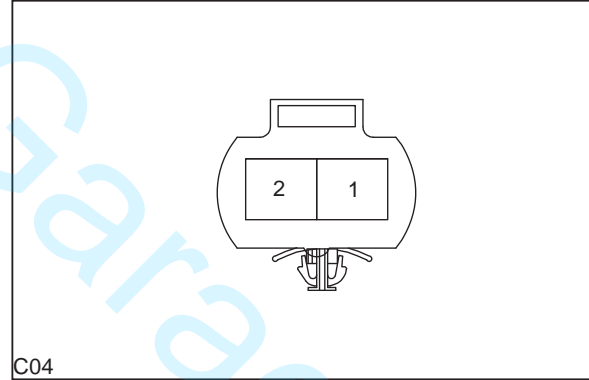


C03

C03 Pin Definition

Pin Number	Wire Width / Color	Function
1	0.50 G	Signal

RR Wheel Speed Sensor Connector



C04

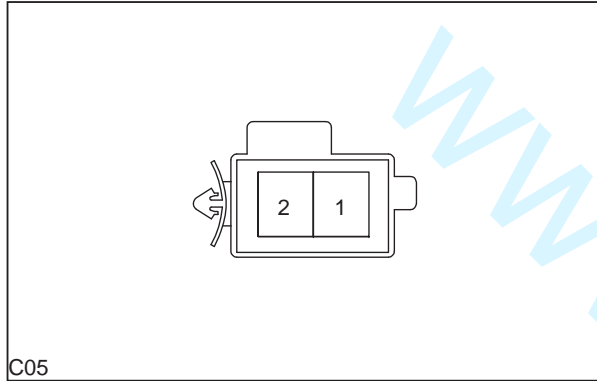
C04 Pin Definition

Pin Number	Wire Width / Color	Function
1	0.50 Br/P	Signal -
2	0.50 Br/G	Signal +

# Harness Connector View

Right Body Harness Connector (C--)

LR Speaker Connector

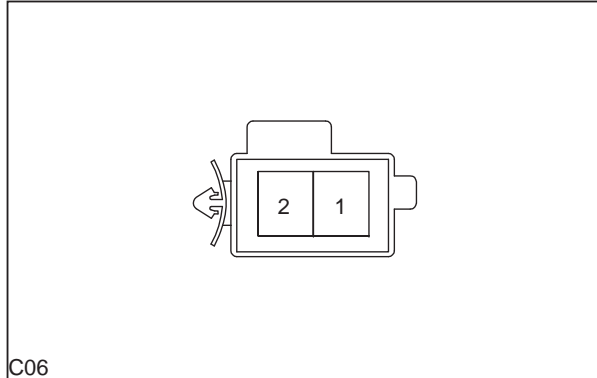


C05

C05 Pin Definition

Pin Number	Wire Width / Color	Function
1	0.50 Y/B	Signal -
2	0.50 Y	Signal +

RR Speaker Connector



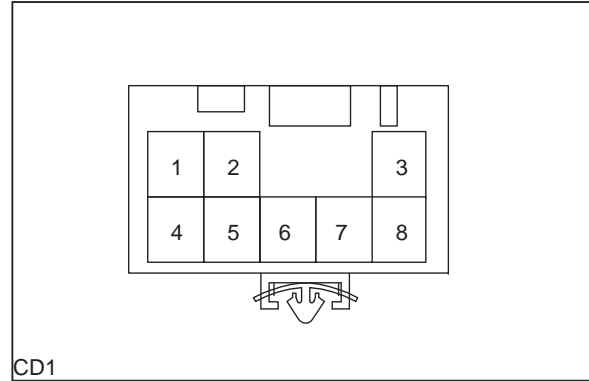
C06

C06 Pin Definition

Pin Number	Wire Width / Color	Function
1	0.50 V/B	Signal -
2	0.50 V	Signal +

Right Body Harness Connector (C--)

Right Body Harness to RR Door Harness Connector



CD1

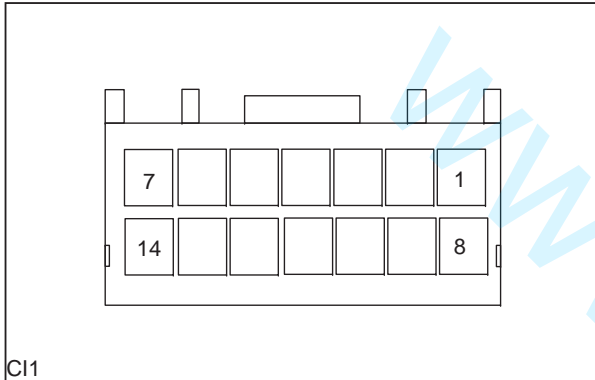
CD1 Pin Definition

Pin Number	Wire Width / Color	Function
1	2.00 R/W	Switch power
2	0.50 R	Power
3	2.00 B	Ground
4	0.50 G	LIN
5	0.50 V	Width lamp power
6		NC
7		NC
8		NC

# Harness Connector View

Right Body Harness Connector (C--)

Right Body Harness to IP Harness Connector



C11 Pin Definition

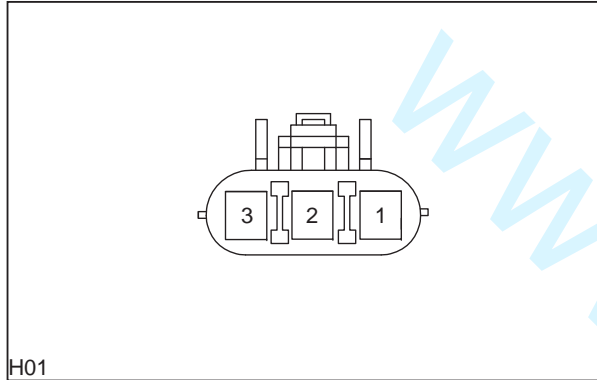
Pin Number	Wire Width / Color	Function
1	0.50 Y/W	RR TPMS antenna +
2	0.50 P	RF door switch signal
3	0.50 R	RR door switch off electrical output
4	0.50 V/B	RR speaker signal -
5	0.50 V	RR speaker signal +
6	0.50 Br/P	RR wheel speed sensor signal +
7	0.50 Br/G	RR wheel speed sensor signal -
8	0.50 Y/V	RR TPMS antenna -
9	0.50 G	RR door switch signal
10	2.00 R/W	RR door controller power
11	0.50 Y/B	LR speaker signal -
12	0.50 Y	LR speaker signal +
13	0.50 V	Width lamp power
14	0.50 G	LIN

Right Body Harness Connector (C--)

# Harness Connector View

Rear Body Harness Connector (H--)

Anti-theft Alarm Connector

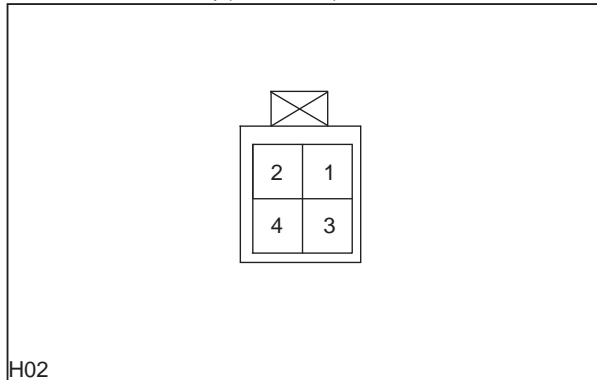


H01

H01 Pin Definition

Pin Number	Wire Width / Color	Function
1	0.85 BI/Y	Alarm horn power
2		NC
3	0.85 B	Ground

LR Combination Lamp(Fixed Part) Connector



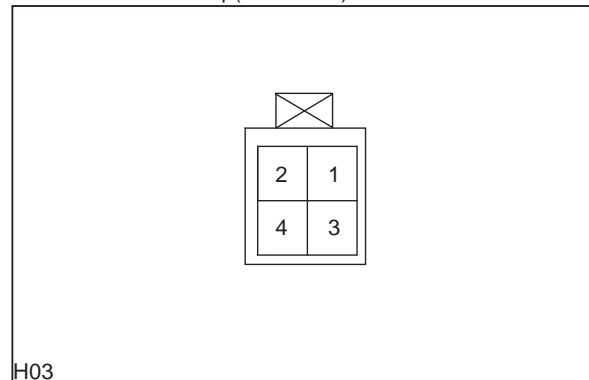
H02

H02 Pin Definition

Pin Number	Wire Width / Color	Function
1	0.50 W	Brake lamp power
2	1.25 B	Ground
3	0.50 BI/G	Width lamp power
4	0.50 BI/R	Trun lamp power

Rear Body Harness Connector (H--)

RR Combination Lamp(Fixed Part) Connector



H03

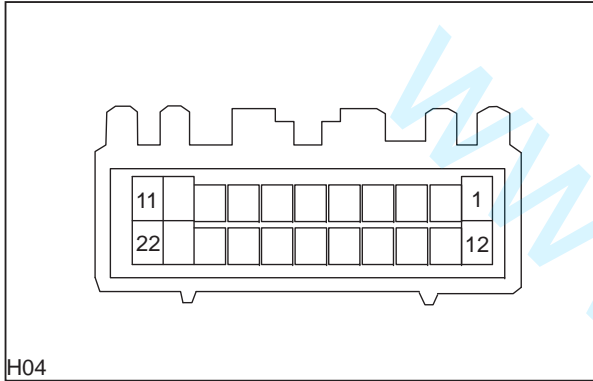
H03 Pin Definition

Pin Number	Wire Width / Color	Function
1	0.50 W	Brake lamp power
2	1.25 B	Ground
3	0.50 BI/G	RR width lamp power
4	0.50 BI/R	RR turn lamp power

# Harness Connector View

Rear Body Harness Connector (H--)

Rear BCM-1 Connector



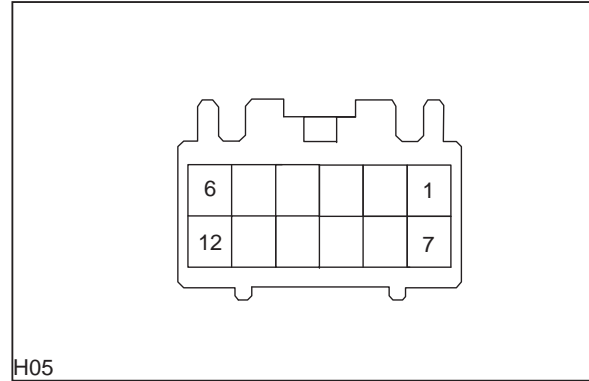
H04

H04 Pin Definition

Pin Number	Wire Width / Color	Function
1	0.85 Y	Trunk ON motor power
2	0.50 G/W	Trunk lock switch signal
3	0.50 W/B	BCAN-L
4	0.50 W	BCAN-H
5		NC
6		NC
7		NC
8		NC
9		NC
10		NC
11	0.85 R	Power
12	0.85 BI/Y	Anti-theft alarm horn power
13		NC
14		NC
15		NC
16	0.50 G/Y	Rear anti-collision radar signal
17	0.50 G/B	Ground
18	0.50 G/Y	Signal
19	0.50 B	Ground
20		NC
21		NC
22	0.85 B	Ground

Rear Body Harness Connector (H--)

Rear BCM-2 Connector



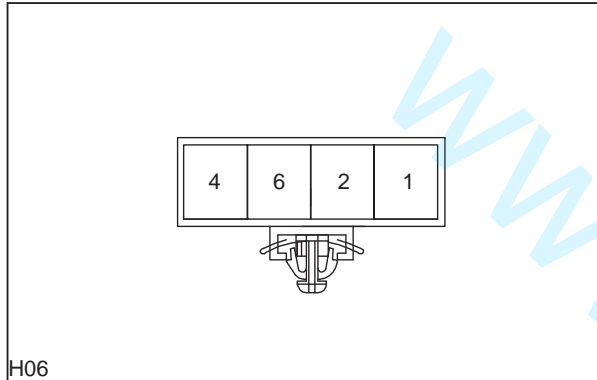
H05

H05 Pin Definition

Pin Number	Wire Width / Color	Function
1	1.25 R/Gr	RR brake lamp power
2	0.50 G/BI	LR turn lamp power
3	0.50 BI/R	RR turn lamp power
4		NC
5	0.50 BI/G	Width lamp power
6	1.25 R	RBCM lamp power
7	0.50 BI/W	RR reversing lamp power
8	0.50 G/O	License plate lamp power
9		NC
10	0.50 BI	RR fog lamp power
11		NC
12		NC

# Harness Connector View

Rear Body Harness Connector (H--)  
LR Combination Lamp(Moving Part) Connector

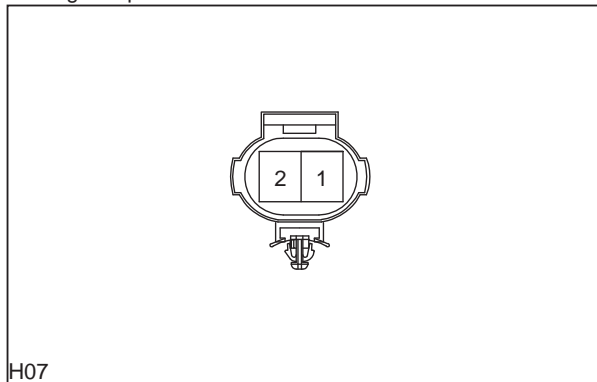


H06

H06 Pin Definition

Pin Number	Wire Width / Color	Function
1	0.50 BI/W	LR reserver lamp power
2	0.50 BI/G	LR width lamp power
3	0.50 G/BI	LR turn lamp power
4	1.25 B	Ground

LR Fog Lamp Connector

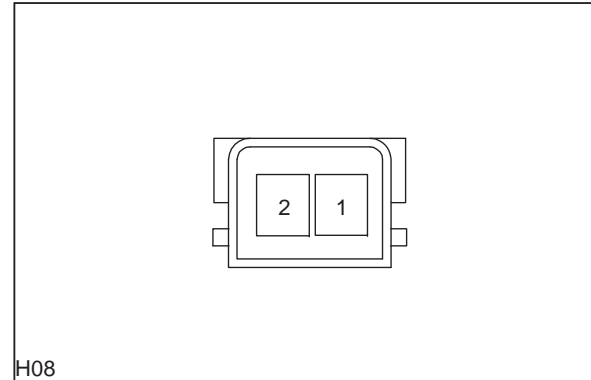


H07

H07 Pin Definition

Pin Number	Wire Width / Color	Function
1	0.50 BI	LR fog lamp power
2	0.50 B	Ground

Rear Body Harness Connector (H--)  
LR License Lamp Connector

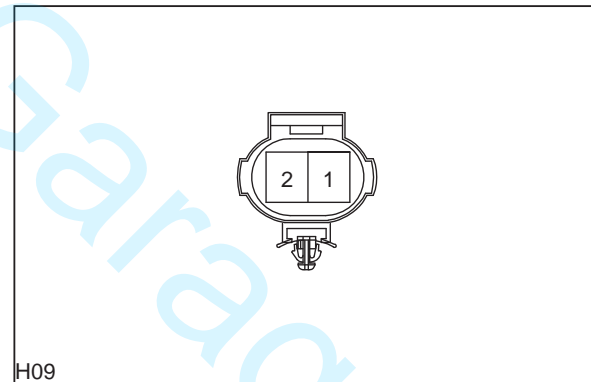


H08

H08 Pin Definition

Pin Number	Wire Width / Color	Function
1	0.50 G/O	LR license lamp power
2	0.50 B	Ground

Trunk Microswitch Connector



H09

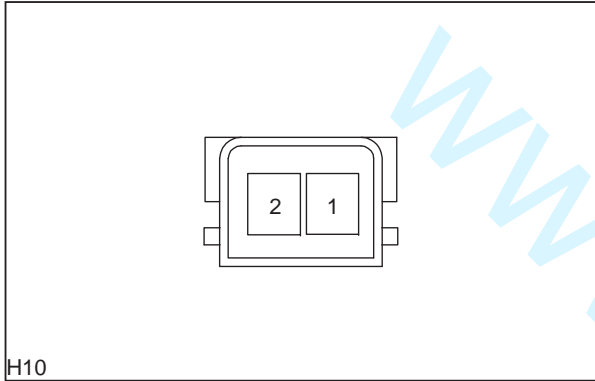
H09 Pin Definition

Pin Number	Wire Width / Color	Function
1	0.50 B	Ground
2	0.50 V/W	Trunk microswitch signal

# Harness Connector View

Rear Body Harness Connector (H--)

RR License Lamp Connector

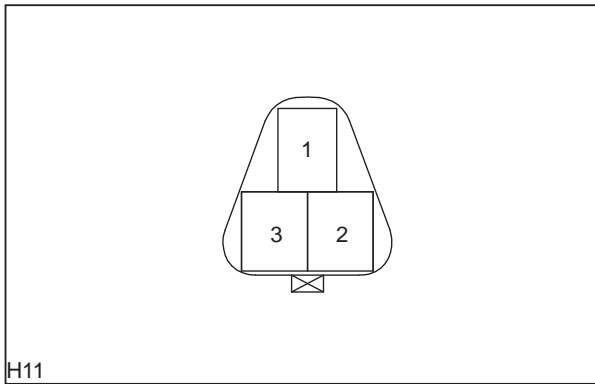


H10

H10 Pin Definition

Pin Number	Wire Width / Color	Function
1	0.50 G/O	RR license lamp power
2	0.50 B	Ground

Trunk Lock Connector



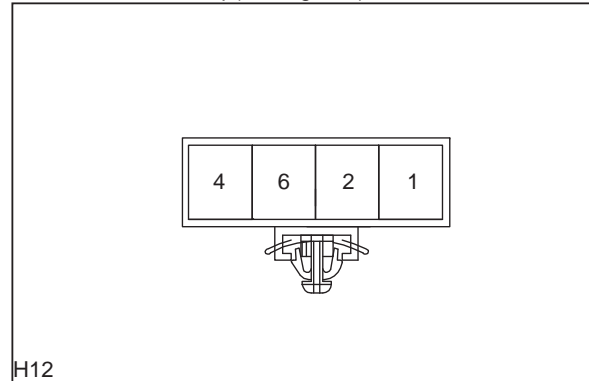
H11

H11 Pin Definition

Pin Number	Wire Width / Color	Function
1	0.85 B	Ground
2	0.50 G/W	Trunk lock switch signal
3	0.85 Y	Trunk ON motor power

Rear Body Harness Connector (H--)

RR Combination Lamp(Moving Part) Connector

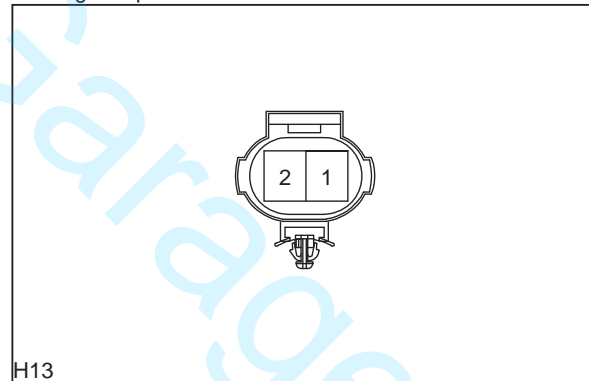


H12

H12 Pin Definition

Pin Number	Wire Width / Color	Function
1	1.25 B	Ground
2	0.50 BI/R	RR turn lamp power
3	0.50 BI/G	RR width lamp power
4	0.50 BI/W	RR reversing lamp power

RR Fog Lamp Connector



H13

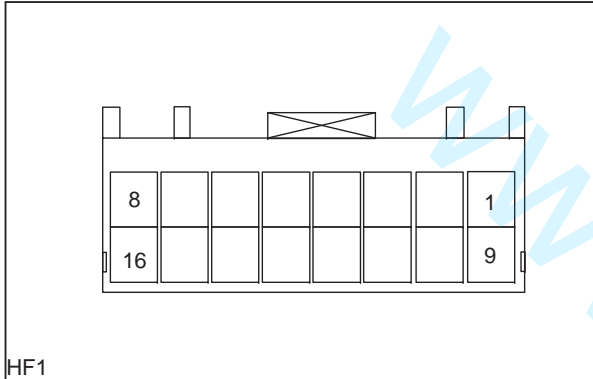
H13 Pin Definition

Pin Number	Wire Width / Color	Function
1	0.50 BI	RR fog lamp power
2	0.50 B	Ground

# Harness Connector View

Rear Body Harness Connector (H--)

Rear Body Harness to Left Body Harness Connector



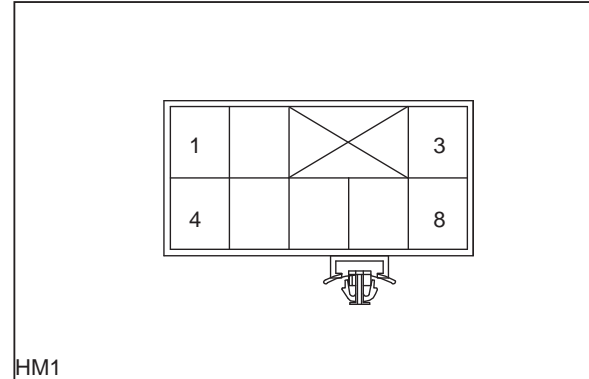
HF1

HF1 Pin Definition

Pin Number	Wire Width / Color	Function
1	0.50 G	LIN
2	1.25 R/Gr	Power
3	0.85 R	Power
4	0.50 G/B	Ground
5	0.50 G/Y	Front collision radar signal
6	0.50 Br/V	Trunk antenna signal +
7	0.50 V/W	Trunk microswitch signal
8	0.50 W	BCAN-H
9		NC
10	0.50 G/W	Trunk lamp control
11	1.25 R	Lamp power
12	0.50 G/R	Reversing camera module power
13	0.50 W	Brake lamp power
14	0.50 Gr/R	Trunk antenna signal -
15	0.50 O/R	Automatically ON Trunk model power
16	0.50 W/B	BCAN-L

Rear Body Harness Connector (H--)

Rear Body Harness to Rear Bumper Harness Connector



HM1

HM1 Pin Definition

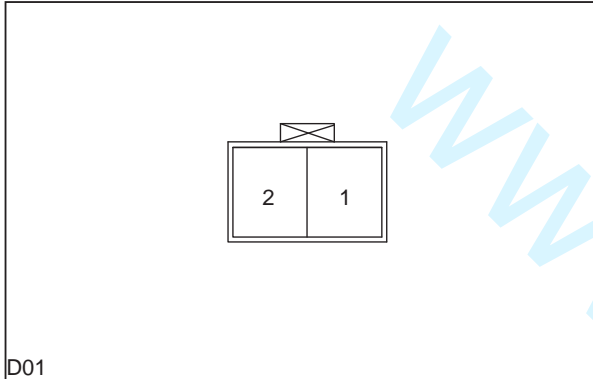
Pin Number	Wire Width / Color	Function
1	0.50 G/Y	Reverse radar signal
2	0.50 G/B	Ground
3	0.50 Br/V	PEPS antenna +
4	0.50 Gr/R	PEPS antenna -
5	0.50 O/R	Automatically ON trunk model power
6	0.50 G	LIN
7	0.50 G/R	Reverse radar power
8		NC



# Harness Connector View

Door Harness Connector(D--)

LF Door Lamp Connector

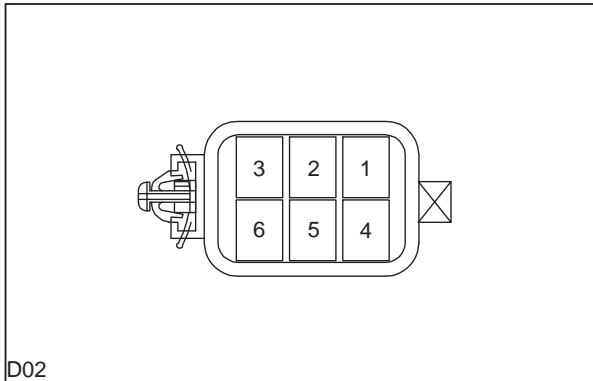


D01

D01 Pin Definition

Pin Number	Wire Width / Color	Function
1	0.50 G/B	LF door lamp control
2	0.50 R	LF door lamp power

Anti-theft Antenna Connector



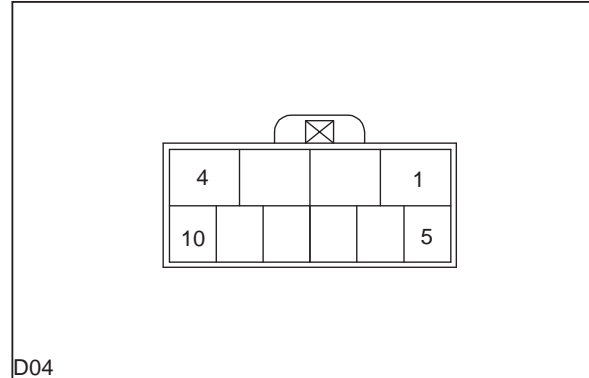
D02

D02 Pin Definition

Pin Number	Wire Width / Color	Function
1	0.50 G/B	Anti-theft Antenna signal power
2	0.50 Y/W	Anti-theft Antenna return signal
3	0.50 W/Y	Anti-theft Antenna signal -
4	0.50 G/Y	Anti-theft Antenna microswitch signal
5	0.50 Gr	Anti-theft Antenna signal +
6	0.50 Y/G	Ground

Door Harness Connector(D--)

LF Door Lock Motor Connector



D04

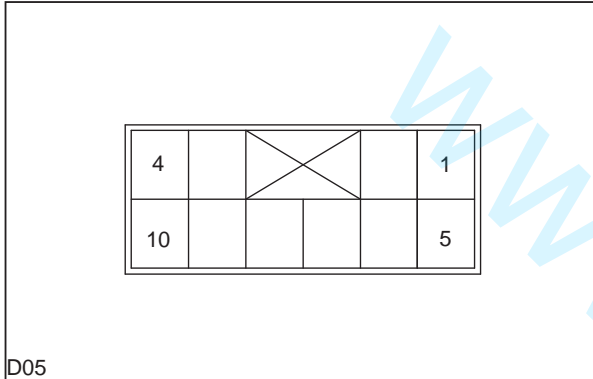
D04 Pin Definition

Pin Number	Wire Width / Color	Function
1	0.85 O/W	LF door lock signal
2		NC
3		NC
4	0.85 O/R	LF door lock signal
5	0.50 O/G	Locking
6	0.50 O/Br	Unlocking
7	0.50 O/V	Lock state
8	0.50 B	Ground
9		NC
10		NC

# Harness Connector View

Door Harness Connector(D--)

LF Door Controller 1 Connector



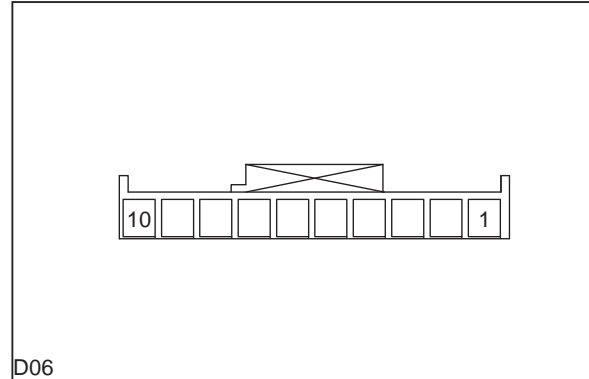
D05

D05 Pin Definition

Pin Number	Wire Width / Color	Function
1		NC
2		NC
3		NC
4		NC
5	0.85 O/W	Unlock signal
6	0.85 O/R	Lock signal
7	2.00 B	Ground
8	2.00 R	Switch power
9	1.25 W/B	LF door power window switch up
10	1.25 W/R	LF door power window switch down

Door Harness Connector(D--)

Power Rearview Mirror Switch Connector



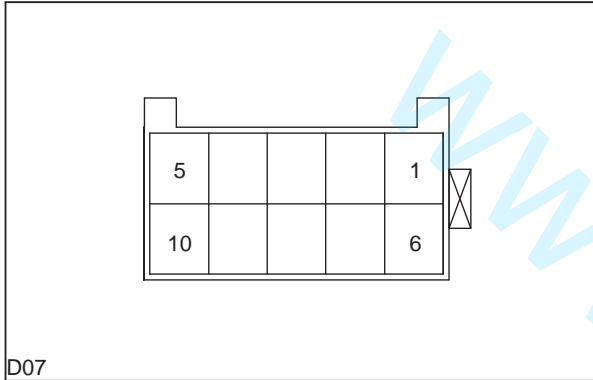
D06

D06 Pin Definition

Pin Number	Wire Width / Color	Function
1	0.50 G/Bl	Folding turn signal
2	0.50 G	Folded ON signal
3	0.50 R/W	Rear rearview mirror switch power
4	0.50 B	Ground
5	0.50 Y/W	LR rearview mirror adjustment common line
6	0.50 Y/Br	LR rearview mirror up/down regulation signal
7	0.50 Y/G	LR rearview mirror left/right regulation signal
8	0.50 Y/Gr	RR rearview mirror left/right regulation signal
9	0.50 Y/Bl	RR rearview mirror up/down regulation signal
10		NC

# Harness Connector View

Door Harness Connector(D--)  
LF Door Controller 2 Connector

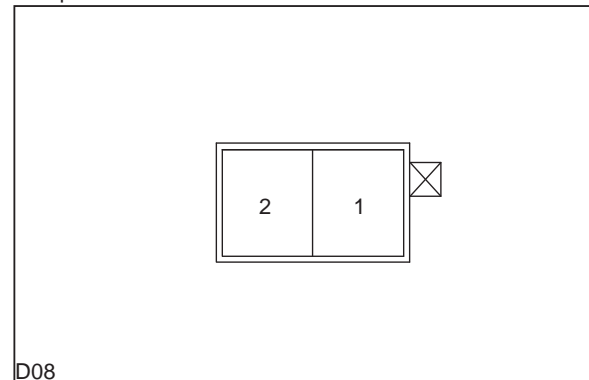


D07

D07 Pin Definition

Pin Number	Wire Width / Color	Function
1	0.50 R	LF door controller power
2		NC
3		NC
4		NC
5	0.50 G	LIN
6	0.50 V	Width lamp power
7	0.50 O/G	Unlock
8	0.50 O/Br	Lock
9	0.50 O/V	Lock state
10	0.50 G/B	LF door lamp control

Door Harness Connector(D--)  
LF Speaker Connector

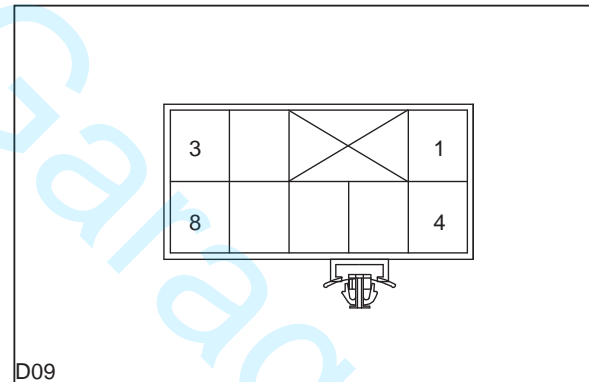


D08

D08 Pin Definition

Pin Number	Wire Width / Color	Function
1	0.50 W	LF speaker signal +
2	0.50 W/B	LF speaker signal -

LF Power Rearrearview mirror Connector



D09

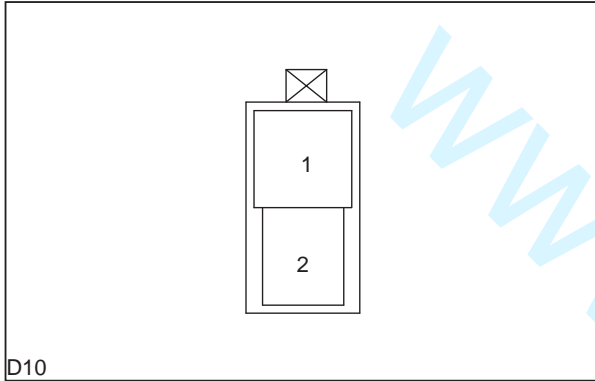
D09 Pin Definition

Pin Number	Wire Width / Color	Function
1	0.50 Y/G	LR rearview mirror steering lamp power
2	2.00 B	Ground
3	0.50 R/W	LF door rearrearview mirror defrosting power
4	0.50 G/Bl	Folding turn signal
5	0.50 G	Folded ON signal
6	0.50 Y/W	LR rearview mirror adjustment common line
7	0.50 Y/Br	Left/right regulation signal
8	0.50 Y/G	Up/down regulation signal

# Harness Connector View

Door Harness Connector(D--)

LF Door Power Window Motor Connector

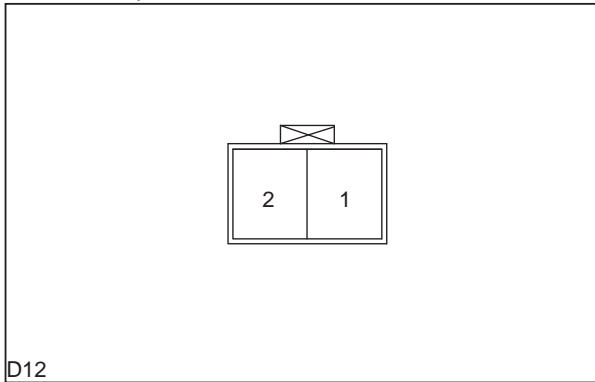


D10

D10 Pin Definition

Pin Number	Wire Width / Color	Function
1	1.25 W/R	LF door power Window switch down
2	1.25 W/B	LF door power Window switch up

RF Door Lamp Connector



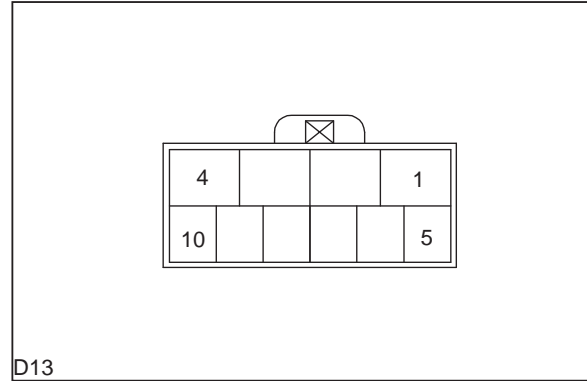
D12

D12 Pin Definition

Pin Number	Wire Width / Color	Function
1	0.50 G/B	RF door lamp control
2	0.50 R/B	RF door lamp power

Door Harness Connector(D--)

RF Door Lock Motor Connector



D13

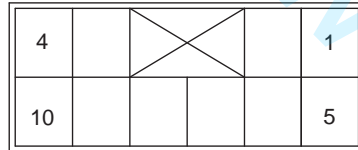
D13 Pin Definition

Pin Number	Wire Width / Color	Function
1	0.85 O/R	RF door lock
2		NC
3		NC
4	0.85 O/W	RF door unlock
5		NC
6		NC
7		NC
8		NC
9		NC
10		NC

# Harness Connector View

Door Harness Connector(D--)

RF Door Controller 1 Connector



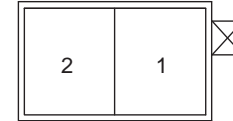
D14

D14 Pin Definition

Pin Number	Wire Width / Color	Function
1	0.50 G/B	Control
2	0.50 V	Width lamp power
3	0.50 G	LIN
4	0.50 R	Power
5	1.25 W/B	Switch down
6	1.25 W/R	Switch up
7	2.00 R/B	RF door controller switching power
8	2.00 B	Ground
9	0.85 O/R	RF door lock
10	0.85 O/W	RF door unlock

Door Harness Connector(D--)

RF Speaker Connector

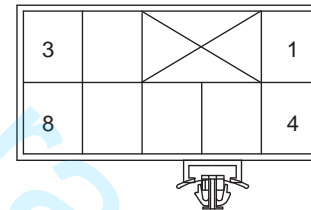


D15

D15 Pin Definition

Pin Number	Wire Width / Color	Function
1	0.50 O	RF speaker signal +
2	0.50 O/B	RF speaker signal -

RF Power Rearrearview mirror Connector



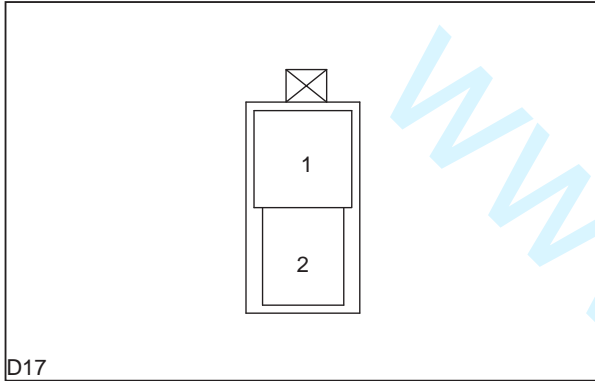
D16

D16 Pin Definition

Pin Number	Wire Width / Color	Function
1	0.50 R/Y	RR rearview mirror steering lamp power
2	2.00 B	Ground
3	0.50 R/W	RF door rearview mirror defrosting power
4	0.50 G/BI	Folding turn signal
5	0.50 G	Folded ON signal
6	0.50 Y/W	LR rearview mirror adjustment common line
7	0.50 Y/BI	Left/right regulation signal
8	0.50 Y/Gr	Up/down regulation signal

# Harness Connector View

Door Harness Connector(D--)  
RF Door Power Window Motor Connector

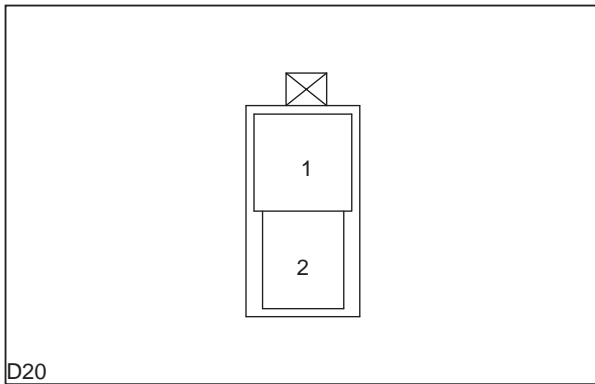


D17

D17 Pin Definition

Pin Number	Wire Width / Color	Function
1	1.25 W/R	RF door power Window switch up
2	1.25 W/B	RF door power Window switch down

LR Door Power Window Motor Connector

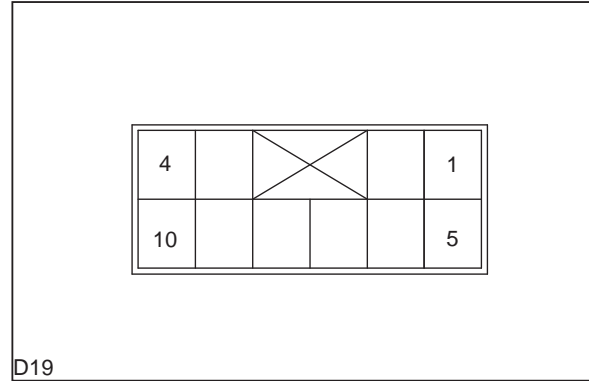


D20

D20 Pin Definition

Pin Number	Wire Width / Color	Function
1	1.25 W/R	LR door power Window switch up
2	1.25 W/B	LR door power Window switch down

Door Harness Connector(D--)  
LR Door Controller 1 Connector



D19

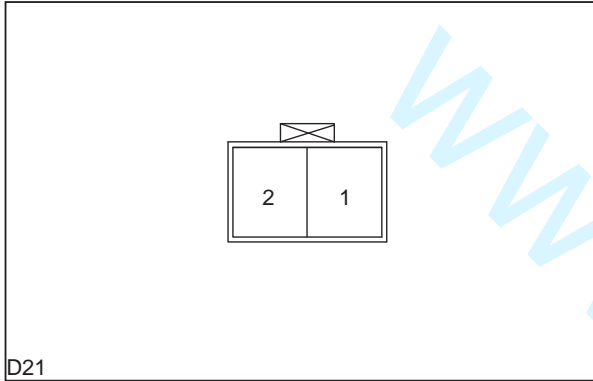
D19 Pin Definition

Pin Number	Wire Width / Color	Function
1	0.50 G/B	LR door lamp control
2	0.50 V	Width lamp power
3	0.50 G	LIN
4	0.50 R	Power
5	1.25 W/B	LR door power window switch down
6	1.25 W/R	LR door power window switch up
7	2.00 R/O	Switch power
8	2.00 B	Ground
9	0.85 O/R	LR door lock
10	0.85 O/W	LR door unlock

# Harness Connector View

Door Harness Connector(D--)

LR Door Lamp Connector



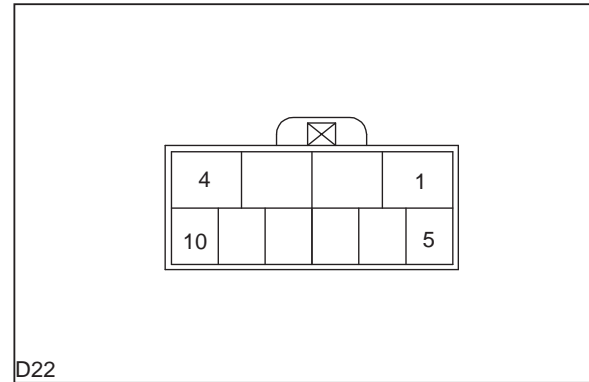
D21

D21 Pin Definition

Pin Number	Wire Width / Color	Function
1	0.50 G/B	LR door lamp control
2	0.50 R/O	LR door lamp power

Door Harness Connector(D--)

LR Door Lock Motor Connector



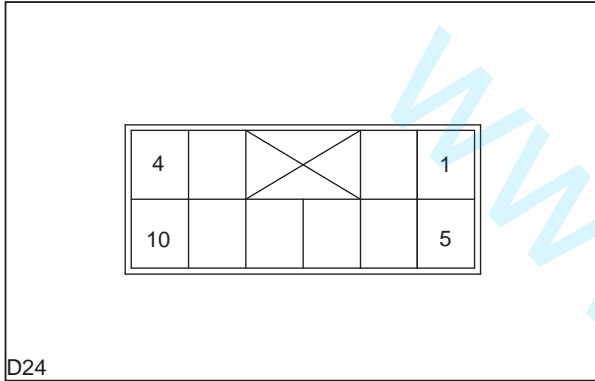
D22

D22 Pin Definition

Pin Number	Wire Width / Color	Function
1	0.85 O/R	RF door lock lock
2		NC
3		NC
4	0.85 O/W	RF door lock unlock
5		NC
6		NC
7		NC
8		NC
9		NC
10		NC

# Harness Connector View

Door Harness Connector(D--)  
RR Door Controller Connector

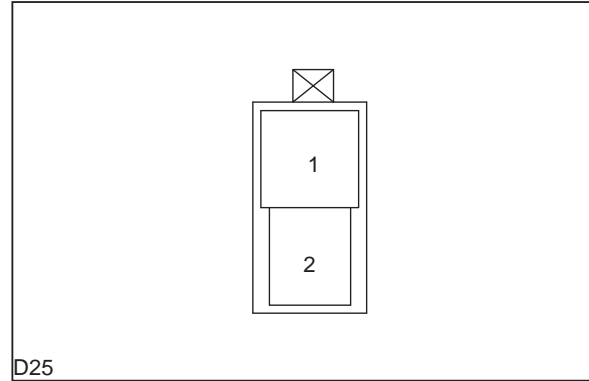


D24

D24 Pin Definition

Pin Number	Wire Width / Color	Function
1	0.50 G/B	RR door lamp control
2	0.50 V	Width lamp power
3	0.50 G	LIN
4	0.50 R	Power
5	1.25 W/B	RR door power window switch down
6	1.25 W/R	RR door power window switch up
7	2.00 R/W	Switch power
8	2.00 B	Ground
9	0.85 O/R	RR door lock signal
10	0.85 O/W	RR door unlock signal

Door Harness Connector(D--)  
RR Door Power Window Motor Connector

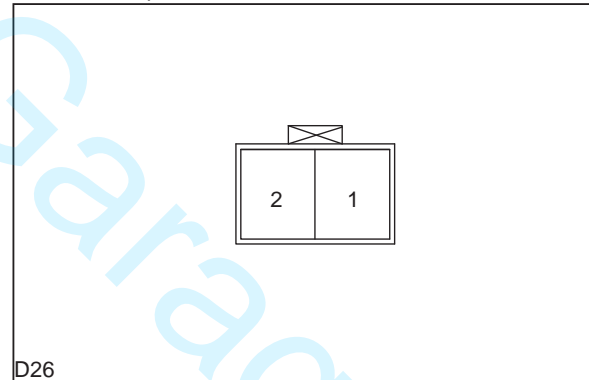


D25

D25 Pin Definition

Pin Number	Wire Width / Color	Function
1	1.25 W/R	RR door power Window switch up
2	1.25 W/B	RR door power Window switch down

RR Door Lamp Connector



D26

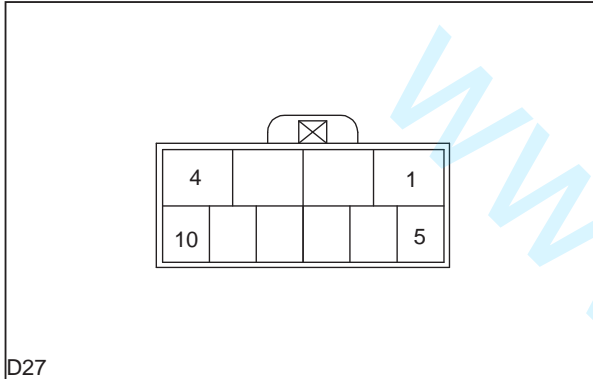
D26 Pin Definition

Pin Number	Wire Width / Color	Function
1	0.50 G/B	RR door lamp control
2	0.50 R/W	RR door lamp power



# Harness Connector View

Door Harness Connector(D--)  
RR Door Lock Motor Connector

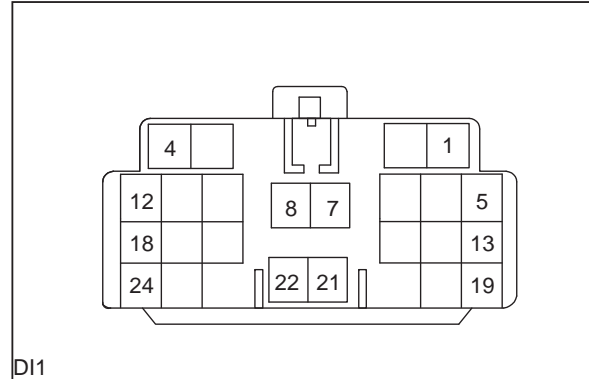


D27

D27 Pin Definition

Pin Number	Wire Width / Color	Function
1	0.85 O/R	RR door lock
2		NC
3		NC
4	0.85 O/W	RR door unlock
5		NC
6		NC
7		NC
8		NC
9		NC
10		NC

Door Harness Connector(D--)  
Door Harness to IP Harness Connector



D11

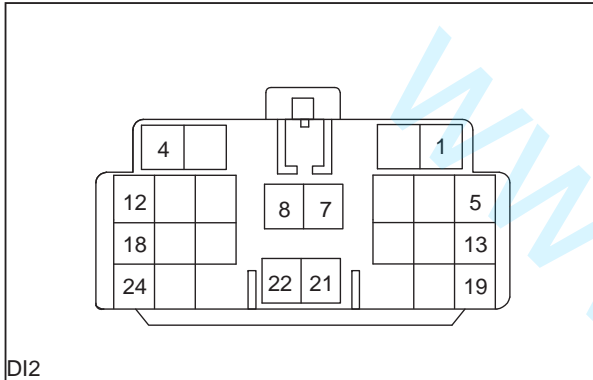
D11 Pin Definition

Pin Number	Wire Width / Color	Function
1	0.50 Y/G	LR turn lamp power
2	0.50 R	LF door controller power
3	0.50 W	LF door lock signal power +
4	0.50 W/B	LF door lock signal power -
5	0.50 G/Y	LF door antenna microswitch signal
6	0.50 Gr	LF door antenna signal +
7	0.50 R/W	LF rearview mirror defrost power
8	0.50 R/W	LF rearview mirror switch power
9	2.00 R	LF door controller switch power
10	0.50 Y/Gr	LR rearview mirror left/right signal
11	0.50 Y/Bl	RR rearview mirror up/down signal
12	0.50 Y/W	RR rearview mirror switch common line
13	0.50 W/Y	LF door antenna signal -
14	0.50 Y/W	LF door antenna return signal
15	0.50 G/B	LF door antenna signal power
16		NC
17	0.50 G/Bl	RR rearview mirror spread signal
18	0.50 G	RR rearview mirror fold signal
19	0.50 Y/G	LF door antenna signal ground
20		NC
21		NC
22	2.00 B	LF door handle switch ground
23	0.50 V	Width lamp power
24	0.50 G	LIN

# Harness Connector View

Door Harness Connector(D--)

Door Harness to IP Harness Connector



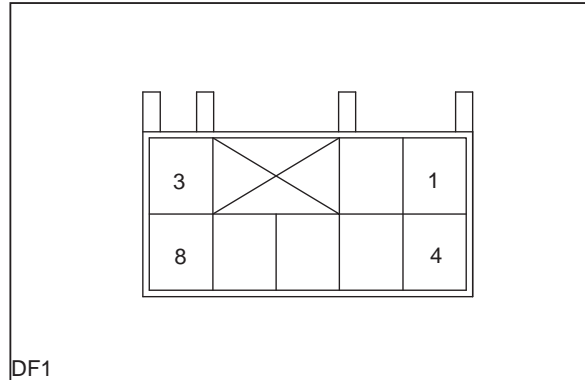
D12

D12 Pin Definition

Pin Number	Wire Width / Color	Function
1	0.50 R/Y	RR rearview mirror steering signal
2	0.50 R	Switch off electrical output power
3	0.50 O/B	RF speaker signal -
4	0.50 O	RF speaker signal +
5	0.50 Y/Gr	RR rearview mirror control
6	0.50 Y/BI	RR rearview mirror control
7	0.50 Y/W	RR rearview mirror switch common line
8	2.00 R/B	RF door armrest switch power
9		NC
10		NC
11		NC
12	0.50 R/W	Heating power
13	0.50 G/BI	Spread signal
14	0.50 G	Folded signal
15		NC
16		NC
17	0.50 V	Width lamp power
18	0.50 G	LIN
19		NC
20		NC
21		NC
22	2.00 B	Ground
23		NC
24		NC

Door Harness Connector(D--)

Door Harness to Left Body Harness Connector



DF1

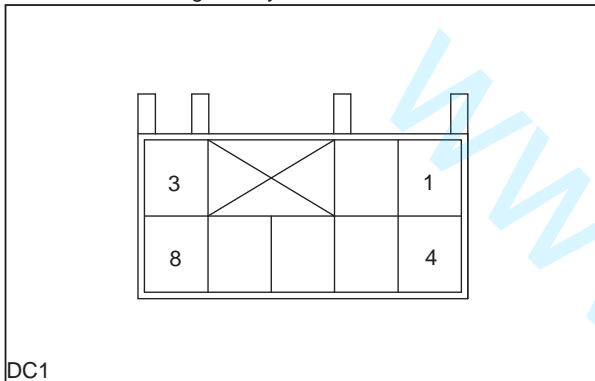
DF1 Pin Definition

Pin Number	Wire Width / Color	Function
1	2.00 R/O	Switch power
2	0.50 R	Power
3	2.00 B	Ground
4	0.50 G	LIN
5	0.50 V	Width lamp power
6		NC
7		NC
8		NC

# Harness Connector View

Door Harness Connector(D--)

Door Harness to Right Body Harness Connector



DC1 Pin Definition

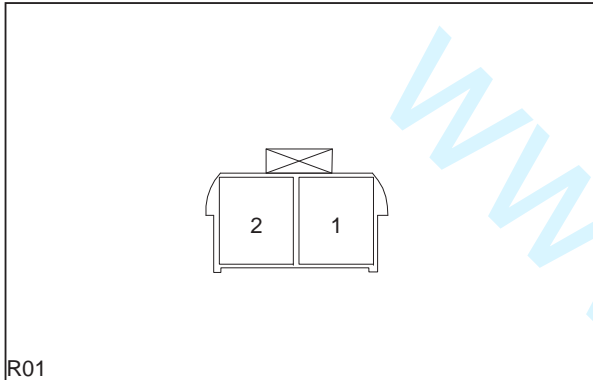
Pin Number	Wire Width / Color	Function
1	2.00 R/W	Switch power
2	0.50 R	Power
3	2.00 B	Ground
4	0.50 G	LIN
5	0.50 V	Width lamp power
6		NC
7		NC
8		NC

Door Harness Connector(D--)

# Harness Connector View

Roof Harness Connector(R--)

Left Cosmetic Lamp Switch Connector

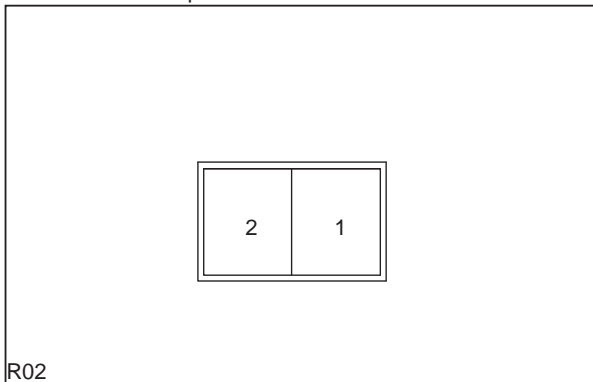


R01

R01 Pin Definition

Pin Number	Wire Width / Color	Function
1	0.50 B	Ground
2	0.50 BI	Power

Left Cosmetic Lamp Connector



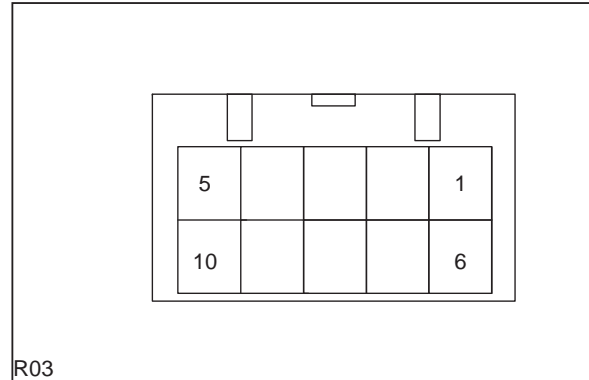
R02

R02 Pin Definition

Pin Number	Wire Width / Color	Function
1	0.50 R/G	Power
2	0.50 BI	Power output

Roof Harness Connector(R--)

Sunroof ECU Connector



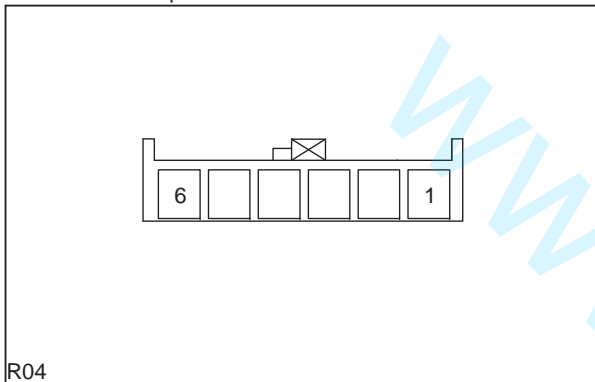
R03

R03 Pin Definition

Pin Number	Wire Width / Color	Function
1	0.50 B	Ground
2	2.00 B	Ground
3	0.50 R/W	IG1 power
4	0.50 G	LIN
5	0.50 Y/BI	Sunroof OFF signal
6	2.00 R	Sunroof motor power
7	0.50 R/Y	Sunroof controller power
8		NC
9		NC
10	0.50 Y/G	Sunroof ON signal

# Harness Connector View

Roof Harness Connector(R--)  
Front Dome Lamp/Sunroof Switch Connector

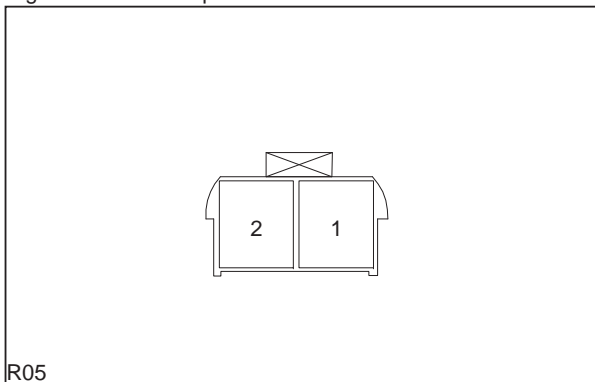


R04

R04 Pin Definition

Pin Number	Wire Width / Color	Function
1	0.50 B	Ground
2	0.50 Y/G	Sunroof ON signal
3	0.50 Y/Bl	Sunroof OFF signal
4	0.50 G/Gr	Front dome lamp delay switch signal
5	0.50 B	Ground
6	0.50 R/G	Front dome lamp power

Right Cosmetic Lamp Connector

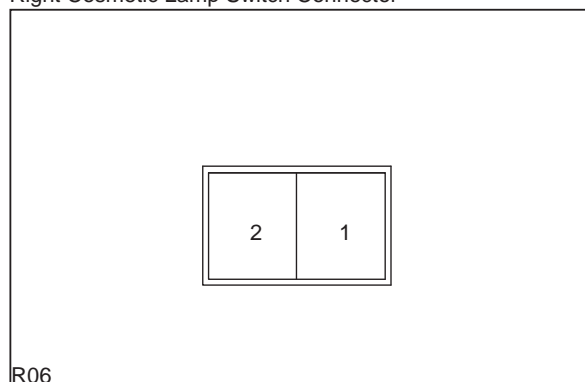


R05

R05 Pin Definition

Pin Number	Wire Width / Color	Function
1	0.50 RG	Power
2	0.50 Bl	Power output

Roof Harness Connector(R--)  
Right Cosmetic Lamp Switch Connector



R06

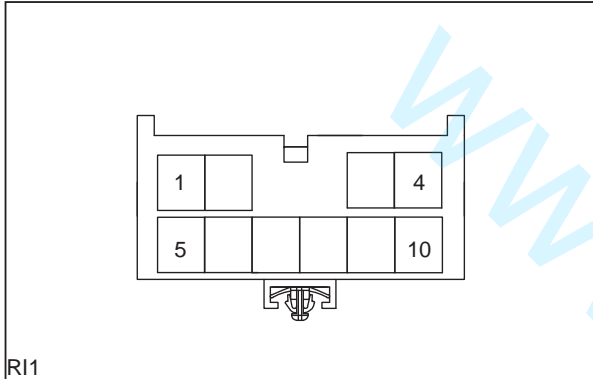
R06 Pin Definition

Pin Number	Wire Width / Color	Function
1	0.50 B	Ground
2	0.50 Bl	Power

# Harness Connector View

Roof Harness Connector(R--)

Roof Harness to IP Harness Connector



R11

R11 Pin Definition

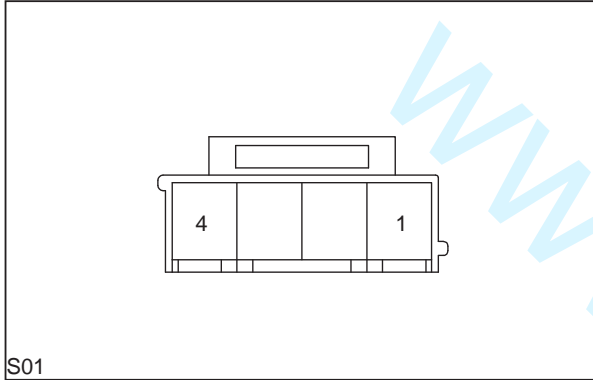
Pin Number	Wire Width / Color	Function
1	0.50 R/Y	Sunroof controller power
2		NC
3	0.50 G	LIN
4	0.50 R/G	Front dome lamp power
5		NC
6	0.50 B	Ground
7	2.00 B	Ground
8	2.00 R/W	Sunroof motor power
9	0.50 R/W	IG1 power
10	0.50 G/Gr	Front dome lamp delay switch signal

Roof Harness Connector(R--)

# Harness Connector View

## SRS Harness Connector(S--)

### Driver Air Bag Clock Spring Connector

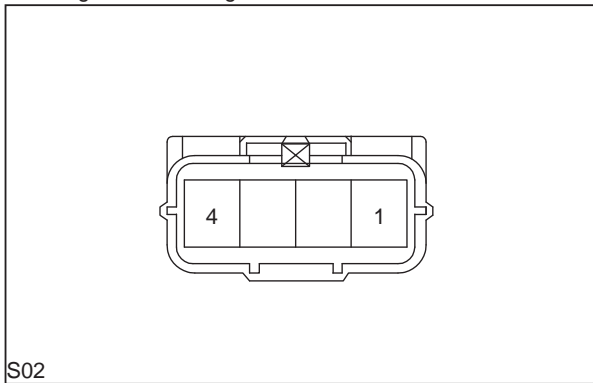


S01

#### S01 Pin Definition

Pin Number	Wire Width / Color	Function
1	0.50 O/W	Driver Air Bag power -
2	0.50 O/R	Driver Air Bag power +
3		NC
4		NC

### Passenger Side Air Bag Connector



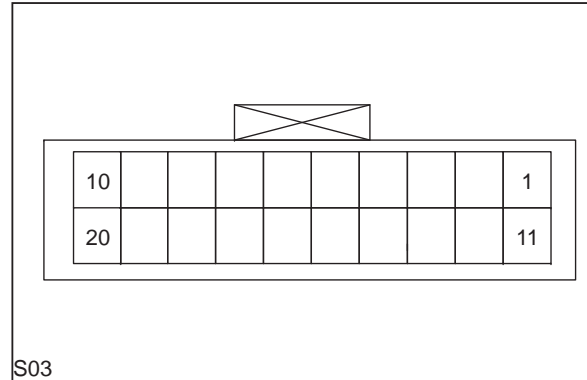
S02

#### S02 Pin Definition

Pin Number	Wire Width / Color	Function
1		NC
2	0.50 O/G	Power-
3	0.50 O/Y	Power+
4		NC

## SRS Harness Connector(S--)

### SRS ECU 1 Connector



S03

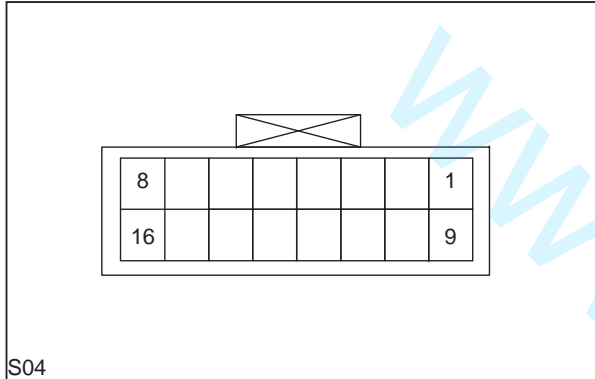
#### S03 Pin Definition

Pin Number	Wire Width / Color	Function
1	0.50 Y	PCAN-H
2	0.50 Y/W	Left side collision sensor -
3	0.50 Y/G	Right side collision sensor -
4	0.50 O/G	Passenger Air Bag signal -
5	0.50 O/V	Passenger side safety belt warning signal -
6	0.50 O/W	Driver Air Bag signal -
7	0.50 O/Br	Driver side safety belt warning signal -
8		NC
9		NC
10	0.50 R/W	IG1 power
11	0.50 Y/B	PCAN-L
12	0.50 Y	Left side collision sensor +
13	0.50 Y/R	Right side collision sensor +
14	0.50 O/Y	Passenger Air Bag signal +
15	0.50 O/Gr	Passenger side safety warning signal +
16	0.50 O/R	Driver Air Bag signal +
17	0.50 O/Bl	Driver side safety belt warning signal +
18		NC
19		NC
20	0.50 B	Ground

# Harness Connector View

SRS Harness Connector(S--)

SRS ECU 2 Connector



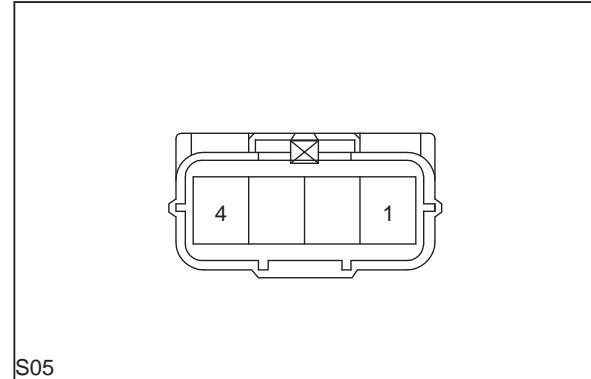
S04

S04 Pin Definition

Pin Number	Wire Width / Color	Function
1	0.50 O/B	Driver air bag signal -
2	0.50 V/W	Passenger air Bag signal +
3	0.50 V/Y	Left air curtain signal +
4	0.50 V/Bl	Right air curtain signal -
5		NC
6		NC
7	0.50 Y	Left side collision sensor signal
8	0.50 Y/R	Right side collision sensor signal
9	0.50 V/R	Driver air Bag signal +
10	0.50 V/G	Passenger air bag signal -
11	0.50 V/Br	Left air curtain signal -
12	0.50 V/Gr	Right air curtain signal +
13		NC
14		NC
15	0.50 Y/W	Left side collision sensor signal
16	0.50 Y/G	Right side collision sensor signal

SRS Harness Connector(S--)

RF Door Safety Air Curtain Connector

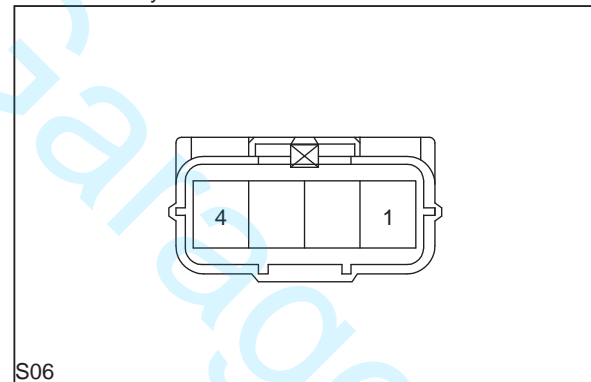


S05

S05 Pin Definition

Pin Number	Wire Width / Color	Function
1		NC
2	0.50 V/G	LF Door safety air curtain signal -
3	0.50 V/W	LF Door safety air curtain signal +
4		NC

LF Door Safety Air Curtain Connector



S06

S06 Pin Definition

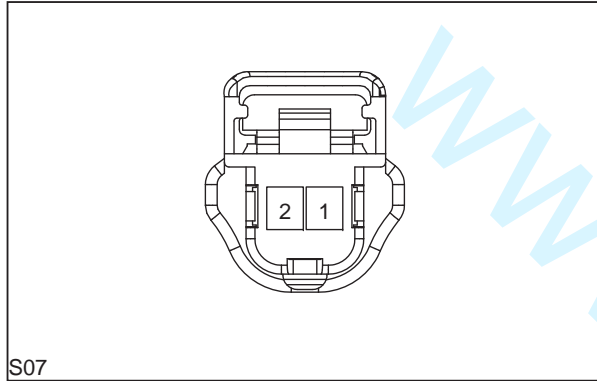
Pin Number	Wire Width / Color	Function
1		NC
2	0.50 V/R	LF Door safety air curtain signal +
3	0.50 O/B	LF Door safety air curtain signal -
4		NC



# Harness Connector View

## SRS Harness Connector(S--)

### Left Side Collision Sensor Connector

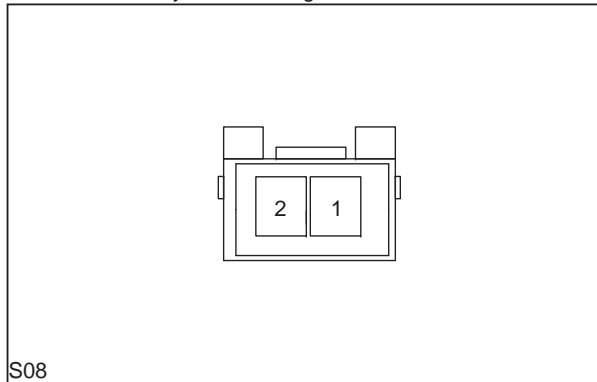


S07

#### S07 Pin Definition

Pin Number	Wire Width / Color	Function
1	0.50 Y/W	Left side collision sensor +
2	0.50 Y	Left side collision sensor -

### Driver Side Safety Belt Warning Connector



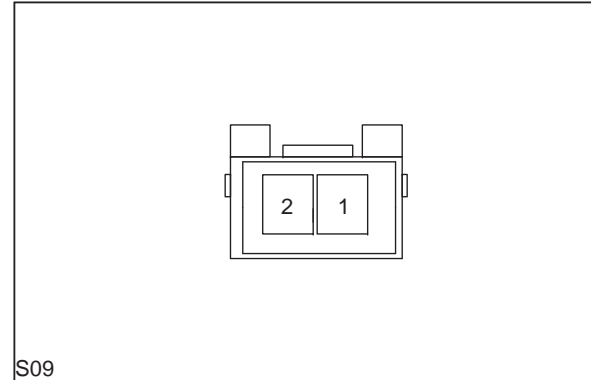
S08

#### S08 Pin Definition

Pin Number	Wire Width / Color	Function
1	0.50 O/Bl	Driver side safety belt warning signal +
2	0.50 O/Br	Driver side safety belt warning signal -

## SRS Harness Connector(S--)

### LR Door Safety Air Curtain Connector

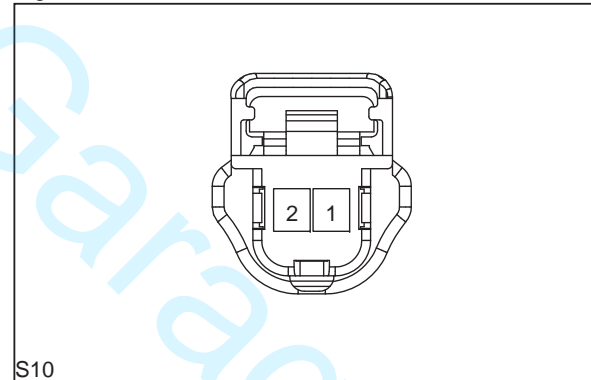


S09

#### S09 Pin Definition

Pin Number	Wire Width / Color	Function
1	0.50 V/Br	Safety Air curtain signal -
2	0.50 V/Y	Safety Air curtain signal +

### Right Side Collision Sensor Connector



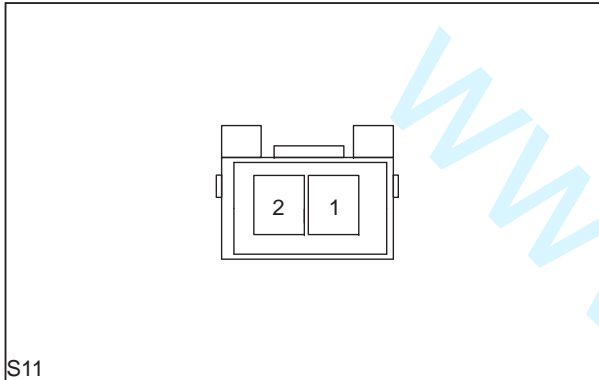
S10

#### S10 Pin Definition

Pin Number	Wire Width / Color	Function
1	0.50 Y/G	Right side collision sensor +
2	0.50 Y/R	Right side collision sensor -

# Harness Connector View

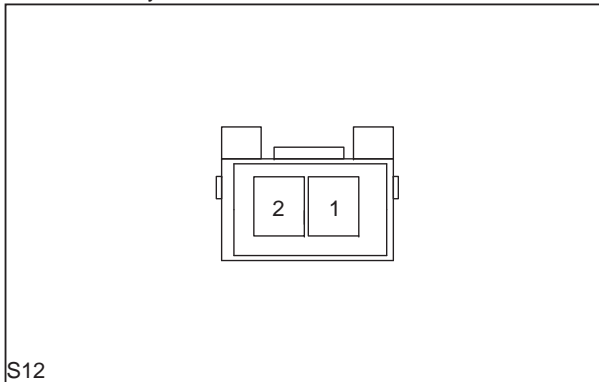
SRS Harness Connector(S--)  
Passenger Side Safety Belt Warning Connector



S11 Pin Definition

Pin Number	Wire Width / Color	Function
1	0.50 O/V	Passenger side safety belt warning signal -
2	0.50 O/Gr	Passenger side safety belt warning signal +

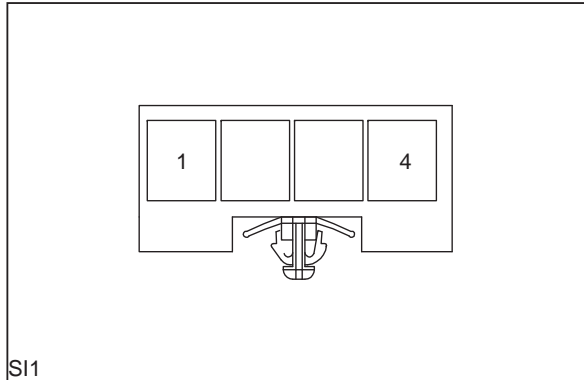
RR Door Safety Air Curtain Connector



S12 Pin Definition

Pin Number	Wire Width / Color	Function
1	0.50 V/Bl	Safety air curtain signal -
2	0.50 V/Gr	Safety air curtain signal +

SRS Harness Connector(S--)  
SRS Harness to IP Harness Connector



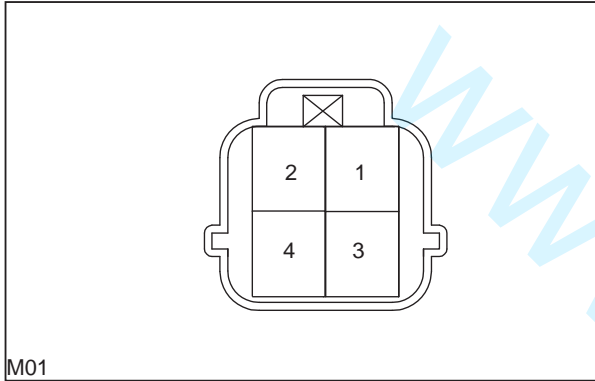
S11 Pin Definition

Pin Number	Wire Width / Color	Function
1	0.50 R/W	IG1 power
2	0.50 Y	PCAN-H
3	0.50 Y/B	PCAN-L
4		NC

# Harness Connector View

Rear Bumper Harness Connector(M--)

LR Reverse Radar Connector

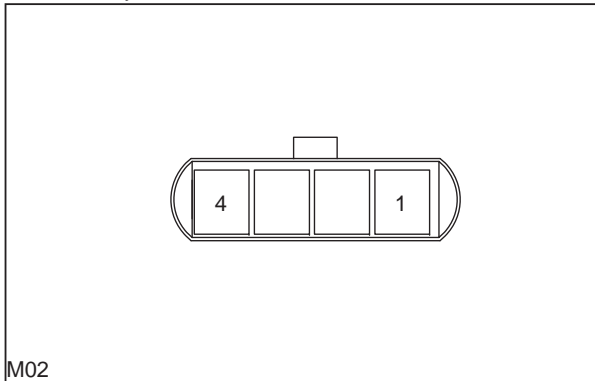


M01

M01 Pin Definition

Pin Number	Wire Width / Color	Function
1	0.50 G/B	Ground
2	0.50 G/Y	Reverse radar signal
3	0.50 G/B	Ground
4	0.50 G/R	Reverse radar Power

Automatically ON The Trunk Model Connector



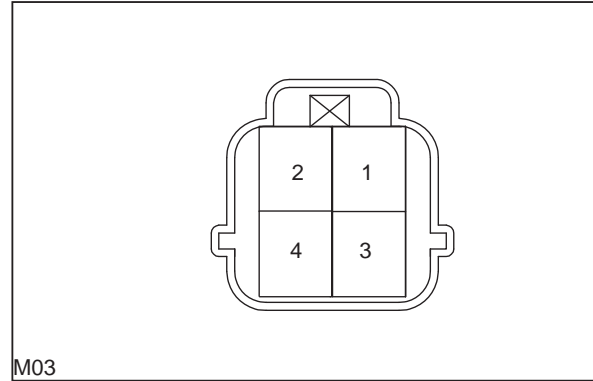
M02

M02 Pin Definition

Pin Number	Wire Width / Color	Function
1	0.50 B	Ground
2		NC
3	0.50 G	LIN
4	0.50 O/R	Power

Rear Bumper Harness Connector(M--)

LR Reverse Radar(Medio) Connector

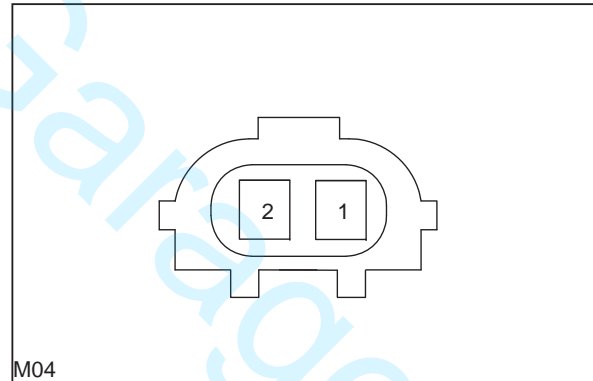


M03

M03 Pin Definition

Pin Number	Wire Width / Color	Function
1	0.50 G/B	Ground
2	0.50 G/Y	Reverse radar signal
3	0.50 G/R	Reverse radar power
4	0.50 G/R	Reverse radar power

PEPS Antenna Connector



M04

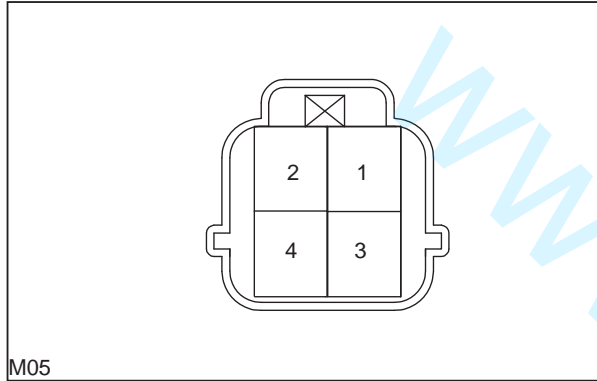
M04 Pin Definition

Pin Number	Wire Width / Color	Function
1	0.50 Gr/R	PEPS antenna -
2	0.50 Br/Y	PEPS antenna +

# Harness Connector View

Rear Bumper Harness Connector(M--)

RR Reverse Radar(Medio) Connector

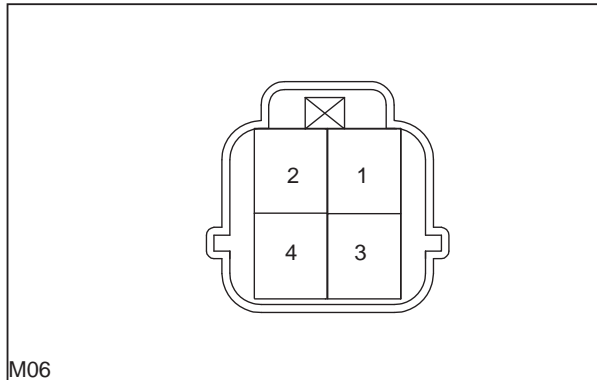


M05

M05 Pin Definition

Pin Number	Wire Width / Color	Function
1	0.50 G/B	Ground
2	0.50 G/Y	Reverse radar signal
3	0.50 G/Y	Reverse radar signal
4	0.50 G/R	Reverse radar power

RR Reverse Radar Connector



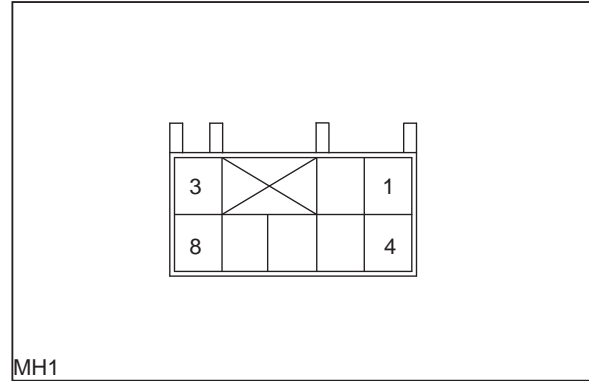
M06

M06 Pin Definition

Pin Number	Wire Width / Color	Function
1	0.50 G/B	Ground
2	0.50 G/Y	Reverse radar signal
3		NC
4	0.50 G/R	Reverse radar power

Rear Bumper Harness Connector(M--)

Rear Bumper Harness to Rear Body Harness Connector



MH1

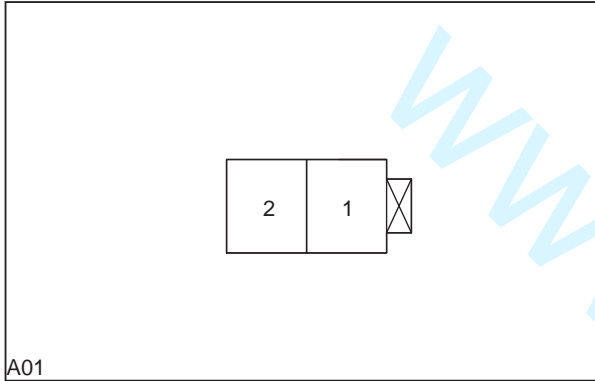
MH1 Pin Definition

Pin Number	Wire Width / Color	Function
1	0.50 G/Y	Reverse radar signal
2	0.50 G/B	Ground
3	0.50 Br/Y	PEPS antenna +
4	0.50 Gr/R	PEPS antenna -
5	0.50 O/R	Automatically ON the trunk model power
6	0.50 G	LIN
7	0.50 G/R	Reverse radar power
8		NC

# Harness Connector View

Air Conditioning Harness Connector(A--)

Blower Connector

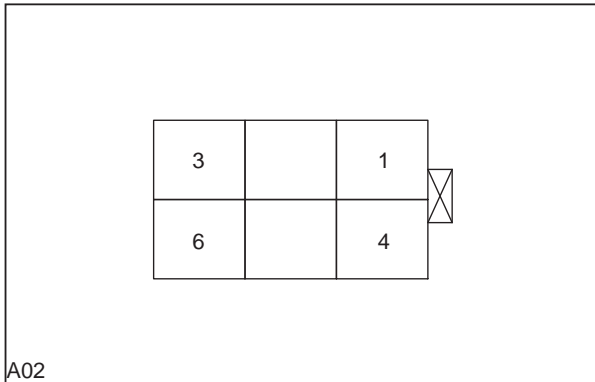


A01

A01 Pin Definition

Pin Number	Wire Width / Color	Function
1	4.00 R/W	Blower motor +
2	4.00 Br	Blower motor -

In And Outside Circulation Motor Connector



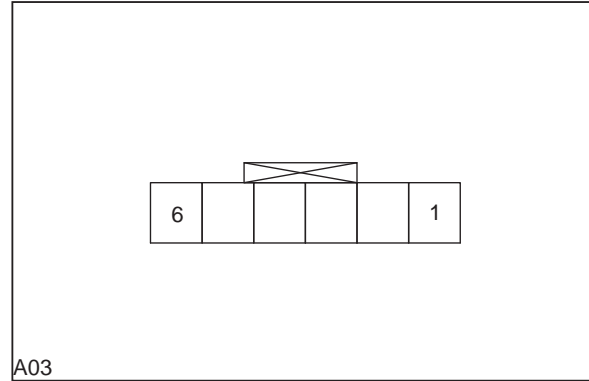
A02

A02 Pin Definition

Pin Number	Wire Width / Color	Function
1	0.50 B/Y	5V power
2	0.50 Br	Ground
3	0.50 B/Bl	Position signal
4	0.50 G/Y	In and outside circulation motor +
5		NC
6	0.50 R/Y	In and outside circulation motor -

Air Conditioning Harness Connector(A--)

Blower Adjust Speed Model Connector



A03

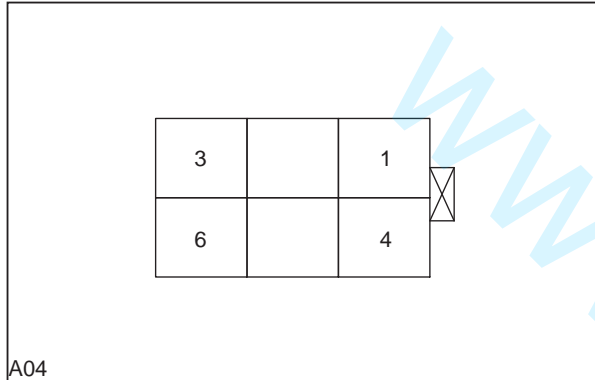
A03 Pin Definition

Pin Number	Wire Width / Color	Function
1	4.00 Br	Blower motor -
2	4.00 R/W	Blower motor +
3	3.00 R/B	Blower adjust speed model power
4	0.50 O	Blower adjust speed signal
5	0.50 G	Blower adjust speed control
6	3.00 B	Ground

# Harness Connector View

Air Conditioning Harness Connector(A--)

Air Fixing Motor Connector

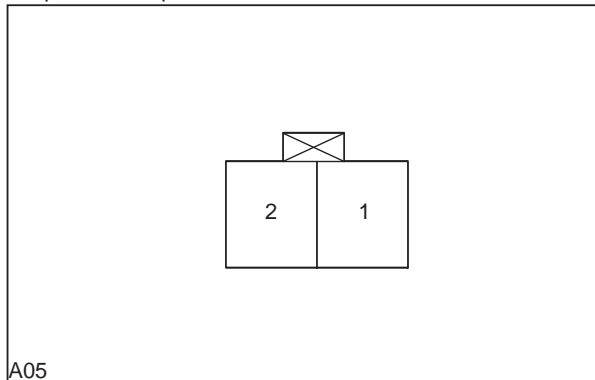


A04

A04 Pin Definition

Pin Number	Wire Width / Color	Function
1	0.50 G	5V power
2	0.50 Br	Ground
3	0.50 Y	Position signal
4	0.50 B	Air fixing motor -
5		NC
6	0.50 R	Air fixing motor +

Evaporator Temperature Sensor Connector



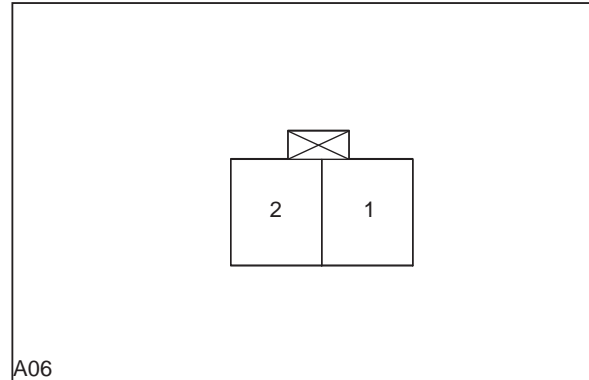
A05

A05 Pin Definition

Pin Number	Wire Width / Color	Function
1	0.50 O	Evaporator temperature sensor signal
2	0.50 Bl/W	Ground

Air Conditioning Harness Connector(A--)

Indoor Temperature Sensor Connector



A06

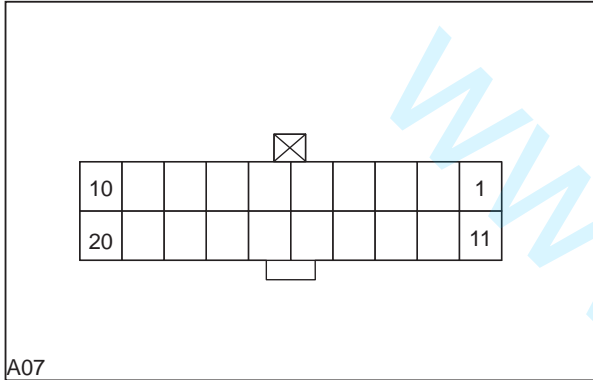
A06 Pin Definition

Pin Number	Wire Width / Color	Function
1	0.50 Bl/W	Ground
2	0.50 W/Y	Inside temperature sensor

# Harness Connector View

Air Conditioning Harness Connector(A--)

AC Control Pandel 2 Connector



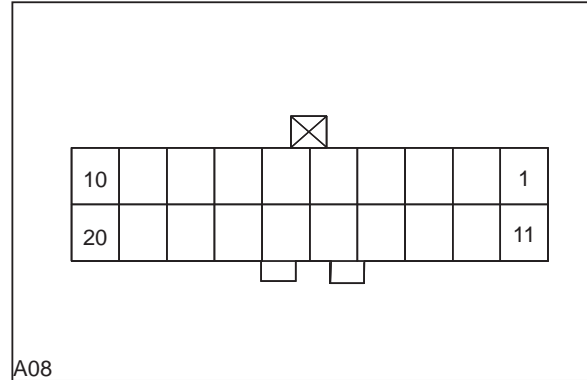
A07

A07 Pin Definition

Pin Number	Wire Width / Color	Function
1	0.50 Y/W	Model damper motor 5V power
2	0.50 W	Model damper motor position signal
3	0.50 W/Bl	Model damper motor -
4	0.50 Gr	Model damper motor +
5		NC
6	0.50 R/W	Rear defrosting control
7	0.50 W/B	Blower relay control
8	0.50 G	Blower control
9	0.50 O	Blower signal
10	0.50 Br	Ground
11	0.50 B/Y	In and outside criculation motor 5V power
12	0.50 B/Bl	In and outside criculation motor position signal
13	0.50 G/Y	In and outside criculation motor +
14	0.50 R/Y	In and outside criculation motor -
15		NC
16	0.50 G	Air fixing motor 5V power
17	0.50 Y	Air fixing motor position signal
18	0.50 B	Air fixing motor -
19	0.50 R	Air fixing motor +
20		NC

Air Conditioning Harness Connector(A--)

AC Control Pandel 1 Connector



A08

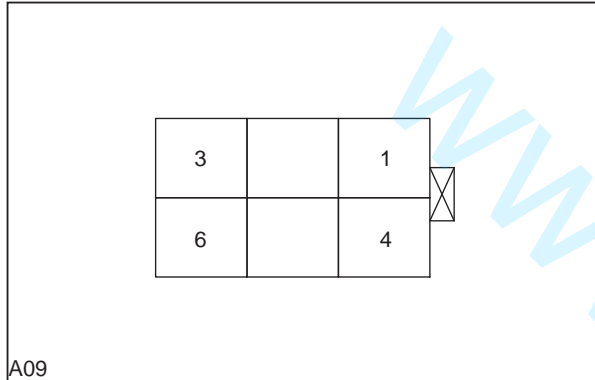
A08 Pin Definition

Pin Number	Wire Width / Color	Function
1	0.50 Br/W	Ground
2	0.85 R/Gr	Compressor control power +(2.0T)
3	0.50 P/W	BCAN-L
4	0.50 Gr/B	BCAN-H
5	0.50 R	Compressor control signal
6	0.50 Bl/W	Ground
7	0.50 Y/R	Ambient lamp sensor signal
8	0.50 W/Y	Inside temperature sensor signal
9	0.50 O	Evaporator temperature sensor signal
10	0.50 V/W	outside temperature sensor signal
11		NC
12	0.85 B/P	Compressor control power -(2.0T)
13		NC
14		NC
15		NC
16	0.50 Y/B	Width lamp power
17		NC
18	0.50 B/R	IG1 power
19	0.50 Y	K-line
20	0.50 W/V	Battery power

# Harness Connector View

Air Conditioning Harness Connector(A--)

Model Damper Motor Connector



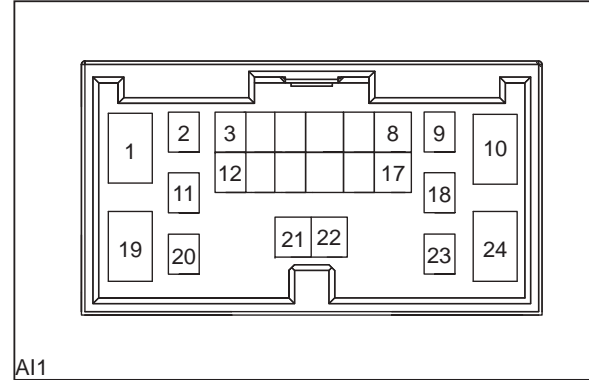
A09

A09 Pin Definition

Pin Number	Wire Width / Color	Function
1	0.50 Y/W	Model damper motor 5V power
2	0.50 Br	Ground
3	0.50 W	Model damper motor position signal
4	0.50 W/BI	Model damper motor -
5		NC
6	0.50 Gr	Model damper motor +

Air Conditioning Harness Connector(A--)

Air Conditioning Harness to IP Harness Connector



A11

A11 Pin Definition

Pin Number	Wire Width / Color	Function
1	3.00 B	Ground
2		NC
3	0.50 Y/B	Width lamp power
4	0.50 W/B	Blower control signal
5	0.50 BI/W	Outside temperature sensor signal ground
6	0.50 Y/R	Ambient light sensor signal
7		NC
8	0.85 R/Gr	A/C compressor control vavle signal
9		NC
10	3.00 R/B	Power
11		NC
12	0.50 V/W	Outside temperature sensor signal ground
13	0.50 Y	K-line
14	0.50 R/W	Rear defroster control signal
15	0.50 R	A/C switch signal
16		NC
17	0.85 B/P	A/C compressor control vavle signal
18	0.50 B/R	IG1 power
19		NC
20	0.50 Br/W	Ground
21	0.50 Gr/B	BCAN-H
22	0.50 P/W	BCAN-L
23	0.50 W/V	Power
24		NC



# Abbreviations

Abbreviations	Description
A/C	Air Conditioning
AAT	Ambient Air Temperature
ABS	Anti-lock Brake System
AM/FM	Amplitude Modulation/ Frequency Modulation
APP	Accelerator Pedal Position
ASR	Acceleration Slip Regulation
AT	Automatic Transmission
ATF	Automatic Transmission Fluid
BCM	Body Control Module
CAN	Controller Area Network
CD	Compact Disc
CKP	Crankshaft Position Sensor
CMP	Camshaft Position Sensor
CRK	Crank
DDM	Driver Door Module
DLC	Data Link Connector
DOHC	Double Overhead Camshaft
DTC	Diagnostic Trouble Code
DVD	Digital Video Disk
EBD	Electronic Brakeforce Distribution
ECM	Engine Control Module
ECT	Engine Coolant Temperature
EGR	Exhaust-Gas Recirculation
EOBD	European On Board Diagnostic
ESP	Electronic Stability Program
ETC	Electronic Tune Control
EVAP	Evaporative Emission Control System
FWD	Front Wheel Drive
GPS	Global Positioning System
GVM	Gross Vehicle Mass
HCU	Hydraulic Control Unit
HFM	Hands Free Module
HID	High Intensity DisCharging
HOS	Heated Oxygen Sensor
HVAC	Heating, Ventilation and Air Conditioning
I/P	Instrument Panel
IAC	Idle Air Control Valve
IAT	Intake Air Temperature
ICU	Integrated Control Unit
IPC	Instrument Panel Cluster
ISO	International Standards Organization
ISS	Input Shaft Speed
KS	Knock Sensor
LED	Lamp Emitting Diode
LF	Left Front

LIN	Local Interconnect Network
LR	Left Rear
MAF	Mass Air Flow
MAP	Manifold Absolute Pressure
MIL	Malfunction Indicator Lamp
MP3	MPEG Audio Layer 3
MT	Manual Transmission
MTC	Manual Temperature Control
MY	Model Year
OBD-II	On Board Diagnostic II
OEM	Original Equipment Manufacturer
PAM	Parking Aid Module
PCV	Positive Crankcase Ventilation
PDC	Power Distribution Center
PDM	Passenger Door Mudule
PEPS	Passive Entry Passive Start
PIN	Personal Identification Number
PWM	Pulse Width Modulation
RF	Right Front
RR	Right Rear
RKE	Remote Keyless Entry
SAE	Society of Automotive Engineers
SAS	Steering Angle Sensor
SCCM	Steering Column Control Module
SDM	Supplemental Diagnostic Module
SFI	Sequential Fuel Injection
SOHC	Single Overhead Camshaft
SRI	Service Reminder Indicator
SRR	Supplemental Restraint System
TCC	Torque Converter Clutch
TCM	Transmission Control Module
TIR	Total Indicator Reading
TPMS	Tire Pressure Monitoring System
TPS	Throttle Position Switch
TRS	Transmission Range Sensor
TSB	Technical Service Bulletin
TWC	Three-way Catalyst
VFD	Vacuum Fluorescent Display
VIN	Vehicle Identification Number
VSS	Vehicle Speed Sensor
WSS	Wheel Speed Sensor

 Note: Refer to the workshop manual for the abbreviations not covered by the list.